

Seal Gen2 9.5i/9.5si/9.5rsi

9,500 LB Electric Winch

Seal Gen2 9.5i PN 295980 12V (with wire rope, roller fairlead, remote control)

Seal Gen2 9.5si PN 295880 12V (with synthetic rope, hawse fairlead, remote control)

Seal Gen2 9.5rsi PN 295860 12V (with wireless remote control, synthetic rope, hawse fairlead, remote control)



Note: Roller/hawse fairlead does not mount to winch



SPECIFICATIONS :

Rated line pull : 4,309 kg (9,500 lb) single line
Motor : 3,730 w / 5.0 hp, 12V series wound w/thermal protection switch
Gear train & ratio : 3-stage planetary 159:1
Clutch (freespooling) : Rotating ring gear
Brake (outside the drum) : Automatic, full load CBS (Cone Brake Structure)
Winch construction : Aluminum die cast housings with steel drum
Drum size : 63.5 x 227 mm (2.5" x 8.9")
Control :
 Seal Gen2 9.5i/9.5si : Waterproof remote with thermometric indicator LED w/5 m (17') cord
 Seal Gen2 9.5rsi : Both built-in digital signal two way wireless remote control and waterproof remote with thermometric indicator LED w/5 m (17') cord
Rope : Seal Gen2 9.5i : Galvanized aircraft A7 x 19, 8.7 mm x 30.5 m (11/32" x 100')
 Seal Gen2 9.5si/9.5rsi : Synthetic rope, 10 mm x 30.5 m (3/8" x 100')
Recommended battery : 650 CCA minimum for winching
Battery lead : 1.8 m (6') 2 gauge battery lead
Mounting bolt pattern : 254 x 114 mm (10" x 4.5")
Winch weight (including rope) : Seal Gen2 9.5i : 38.5 kg / 85 lb
 Seal Gen2 9.5si/9.5rsi : 36.2 kg / 79.8 lb
Gross weight : Seal Gen2 9.5i : 52.6 kg / 116 lb
 Seal Gen2 9.5si/9.5rsi : 40.8 kg / 90 lb
Box dimension, (L x D x H) : 682 x 209 x 430 mm (26.9" x 8.2" x 16.9")

PERFORMANCE DATA :

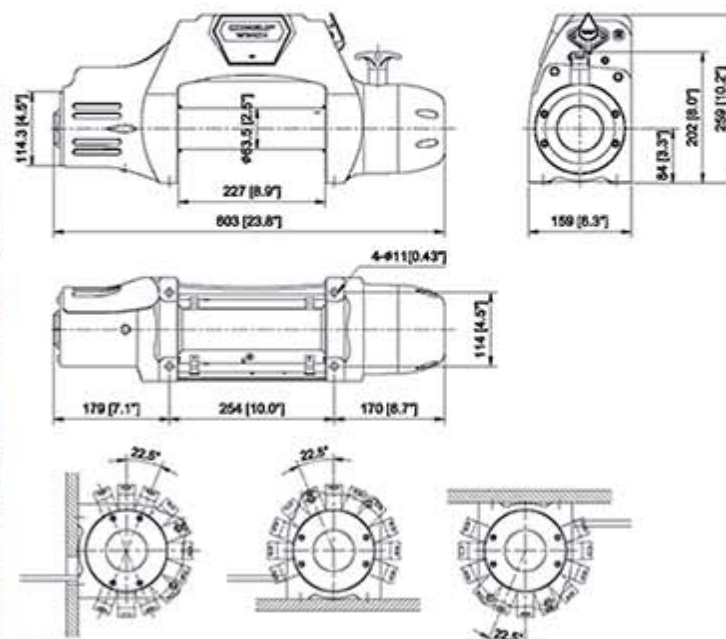
Line Pull and Rope Capacity

Layer of Rope	Pull by Layer, kg / lb	Total Rope on the Drum, m / ft	
		Seal Gen2 9.5i	Seal Gen2 9.5si/9.5rsi
1 st	4,309 / 9,500	5.8 / 19.1	5.1 / 16.7
2 nd	3,472 / 7,655	13.1 / 42.9	11.7 / 38.4
3 rd	2,908 / 6,410	21.7 / 71.2	19.7 / 64.6
4 th	2,501 / 5,514	30.5 / 100	30.5 / 100

Line Speed and Amp. Draw (1st layer of rope on the drum)

Line Pull kg / lb	Line Speed, mpm / fpm		Amp. Draw, A 12V
	Seal Gen2 9.5i	Seal Gen2 9.5si/9.5rsi	
No Load	14.5 / 47.6	14.8 / 48.6	60
907 / 2,000	4.7 / 15.2	4.8 / 15.7	115
1,814 / 4,000	3.5 / 11.5	3.6 / 11.8	210
2,722 / 6,000	2.8 / 9.2	2.8 / 9.2	245
3,629 / 8,000	2.3 / 7.6	2.3 / 7.6	280
4,309 / 9,500	2.1 / 6.8	2.2 / 7.2	380

DIMENSION mm/in :



16 equally positioned pin holes ensure seamless clutch transmission and make it easily rotate by 22.5° increments. (Seal Gen2 9.5i/9.5si/9.5rsi)

Seal Slim Series

9,500 - 12,500 lb pulling capacity

- 12V DC severe duty winch
- Slim size for hidden, inside-bumper mounting applications
- Die-Cast housing tested to twice the rated winch capacity
- Patented CBS (Cone Brake Structure) for safe, full-load holding
- Built-in digital two way wireless remote control
- Heavy-duty series wound motor delivers superior torque output
- Thermal overload warning and motor protection
- Clockable clutch lever for easy operation in concealed applications
- Hardened steel, planetary gear train for durable and reliable operation
- Coated 12 strand synthetic rope with superior abrasion resistance
- Includes waterproof wired remote control and hawse fairlead



Seal Slim Series Winch
 Limited Lifetime Warranty for Mechanical Components
 Three (3) years Warranty for Electrical Components.