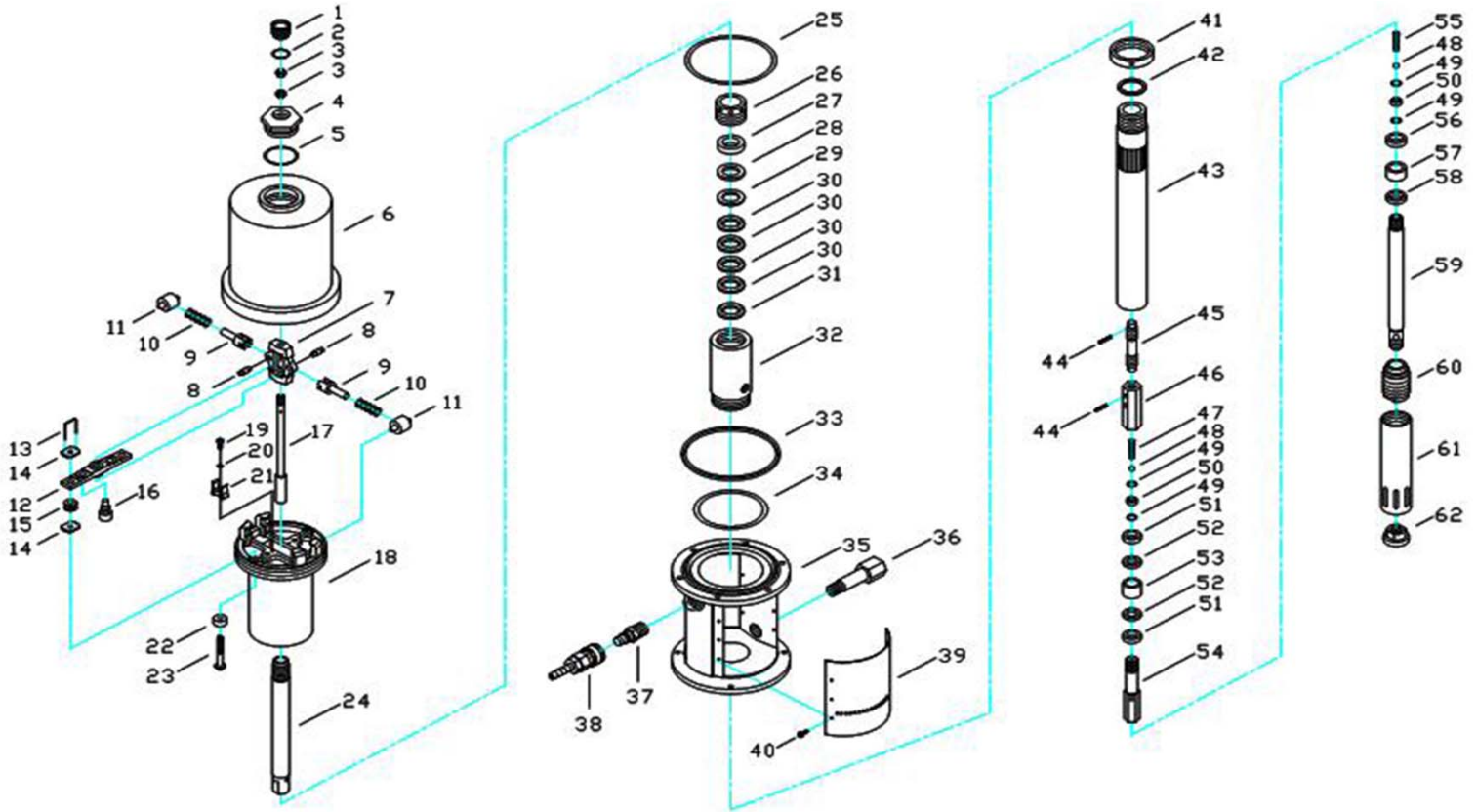




อะไหล่ถังอัดจารบี รุ่น TKR-65 และ G-105





อะไหล่ถังอัดจารบี รุ่น TKR-65 และ G-105



KT-CODE	ITEM	DESCRIPTION	Q'TY
Y012-0710	NO.1-4	SCREW CAP	1
		OIL RING	1
		NUT	2
		SCREW SEAT	1
	NO.5	OIL RING	1
Y012-0712	NO.6	AIR CYLINDER	1
Y012-0713	NO.7	EXCHANGER SLIDING SLEEVE	1
Y012-0714	NO.8	ROCKER SHAFT PIN	2
Y012-0715	NO.9	ROCKER SHAFT	2
Y012-0716	NO.10	SPRING	2
Y012-0720	NO.11	ROCKING ARM	2
Y012-0735	NO.12	AIR GUIDE ROD BRACKET	1
Y012-0730	NO.13	RETAINING LINE	2
Y012-0738	NO.14	NUT	4
Y012-0740	NO.15	GASKET	2
Y012-0750	NO.16	AIR OUTLET VALVE	2
Y012-0760	NO.17	GUIDE ROD	1
Y012-0765	NO.18	PISTON	1
	NO.19	SCREW	2
	NO.20	WASHER	2
Y012-0779	NO.21	SPRING BRACKET	2
Y012-0780	NO.22	AIR INLET VALVE	2
	NO.23	AIR VALVE ROD	2
	NO.24	GUIDE ROD	1
Y012-0800	NO.25	OIL RING	1
Y012-0805	NO.26	RETAINING SCREW	1
Y012-0810	NO.27	SLEEVE	1
Y012-0820	NO.28	GASKET	1
Y012-0830	NO.29	V-SHAPE COPPER GASKET	1
Y012-0840	NO.30	V-GASKET (TEFLON)(4pcs/set)	4
Y012-0850	NO.31	A-SHAPE COPPER GASKET	1

KT-CODE	ITEM	DESCRIPTION	Q'TY
Y012-0860	NO.32	GASKET SEAT	1
Y012-0870	NO.33	OIL RING	1
Y012-0880	NO.34	OIL RING	1
Y012-0890	NO.35	CYLINDER SEAT	1
Y012-0900	NO.36	OIL OUTLET NOSE	1
	NO.37	AIR CONNECTOR	1
Y012-0910	NO.38	AIR CONNECTOR	1
	NO.39	ALU. BLOCK	2
	NO.40	SCREW	12
	NO.41	GASKET	1
	NO.42	ALU.GASKET	1
Y012-0915	NO.43	STEEL PIPE	1
	NO.44	PIN	2
	NO.45	CONNECTING ROD	1
	NO.46	SLEEVE	1
Y012-0920	NO.47	SPRING	1
	NO.48	BALL BEARING	2
Y012-0930	NO.49	COPPER GASKET	4
Y012-0940	NO.50	OIL VALVE	2
Y012-0950	NO.51	COPPER GASKET	2
Y012-0960	NO.52	GASKET	2
Y012-0970	NO.53	PISTON BLOCK	1
	NO.54	PISTON GUIDE	1
Y012-0980	NO.55	SPRING	1
Y012-0990	NO.56	COPPER GASKET	1
Y012-1000	NO.57	PACKING	1
Y012-1010	NO.58	GASKET	1
Y012-1020	NO.59	INLET OIL TUBE	1
Y012-1030	NO.60	CONNECTOR	1
Y012-1035	NO.61	INLET OIL TUBE	1
Y012-1040	NO.62	INLET OIL SHOVEL	1