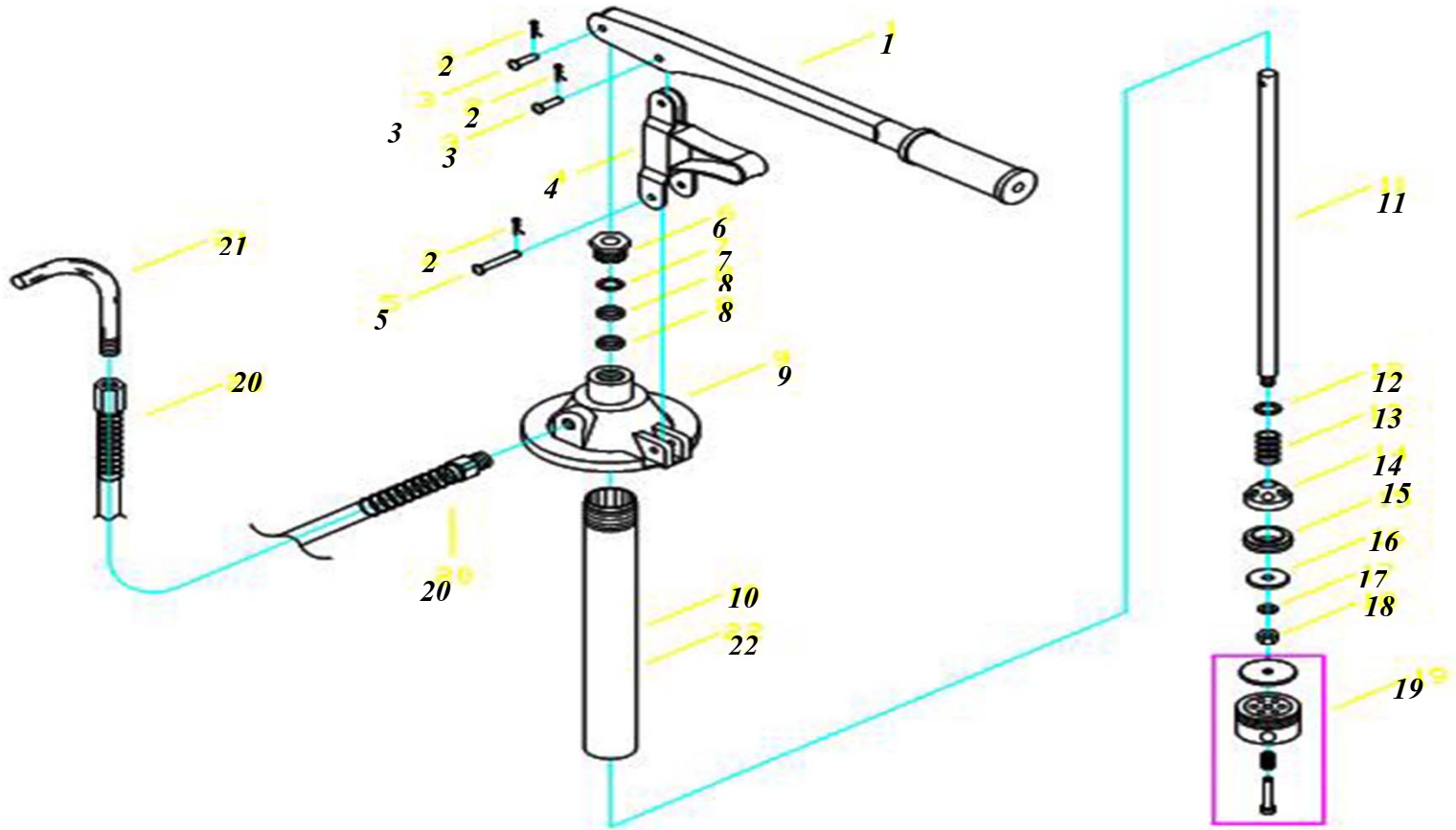




อะไหล่ ถังเติมน้ำมัน รุ่น TK-21, TK-22



KT-CODE	NO.	ITEM	DESCRIPTION	Q'TY
	1	C1-01	RUBER LEVER	1
	2	C1-02	COTTER PIN	3
	3	C1-03	PIN	2
	4	C1-04	HANDLE ASSEMBLY	1
	5	C1-05	PIN	1
	6	C1-06	RETAINING SCREW	1
	7	C1-07	WASHER	1
	8	C1-08	PACKING	2
	9	C1-09	PUMP HEAD	1
	10	C1-10	STEEL TUBE	1
	11	C1-11	PISTON ROD	1
	12	C1-12	WASHER	1

KT-CODE	NO.	ITEM	DESCRIPTION	Q'TY
	13	C1-13	SPRING	1
	14	C1-14	VALVE CAP	1
	15	C1-15	Piston Washer & Packing & Piston Seat	1
	16	C1-16	VALVE CAP	1
	17	C1-17	WASHER	1
	18	C1-18	NUT	1
Y012-0105	19	C1-19	Counterflow-resisting Valve Cap&Counterflow-resisting Valve & Piston Disc & Adapter	1
	20	C1-20	OIL TUBE ASSEMBLY	2
	21	C1-21	TUBE	1
	22	C1-22	PUMP ASSEMBLY	1