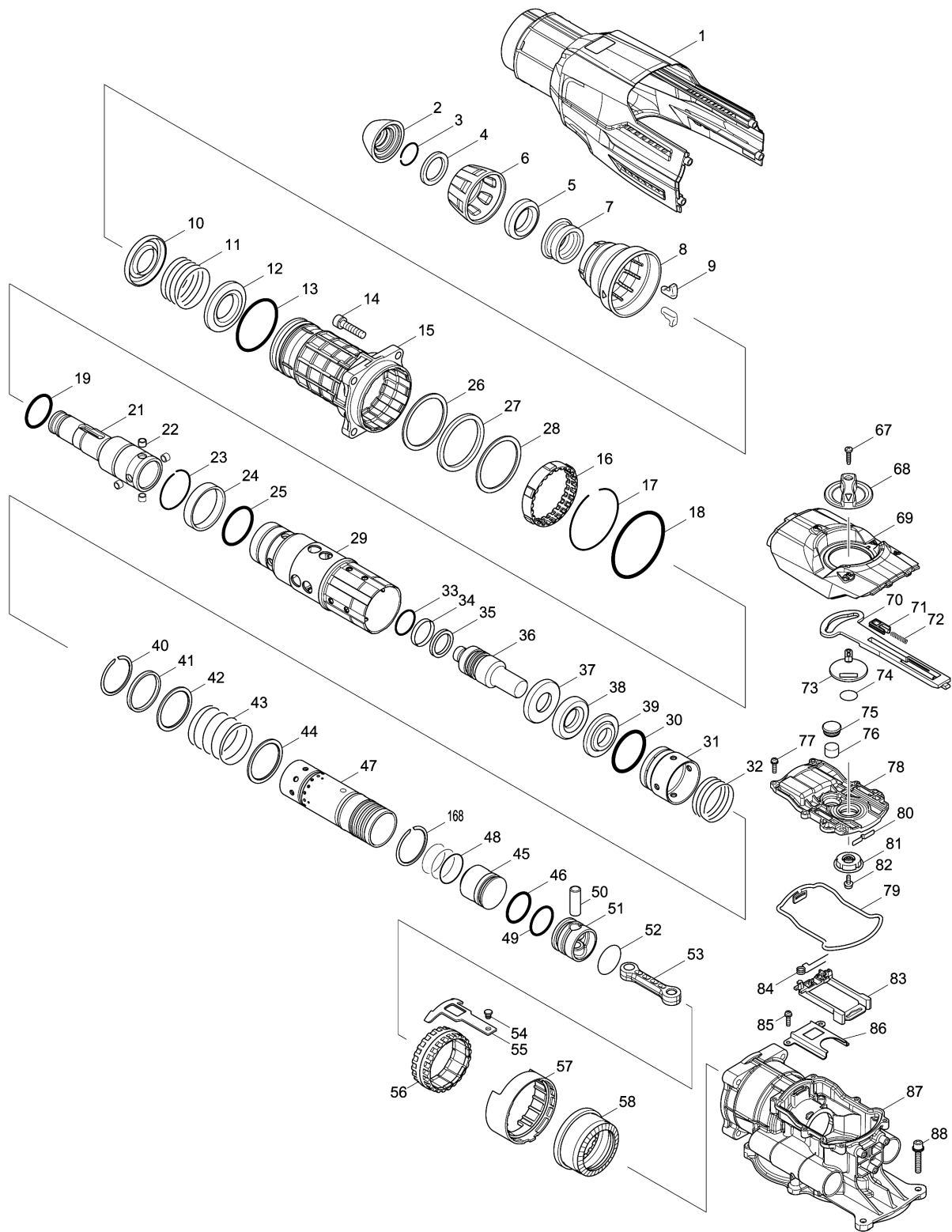
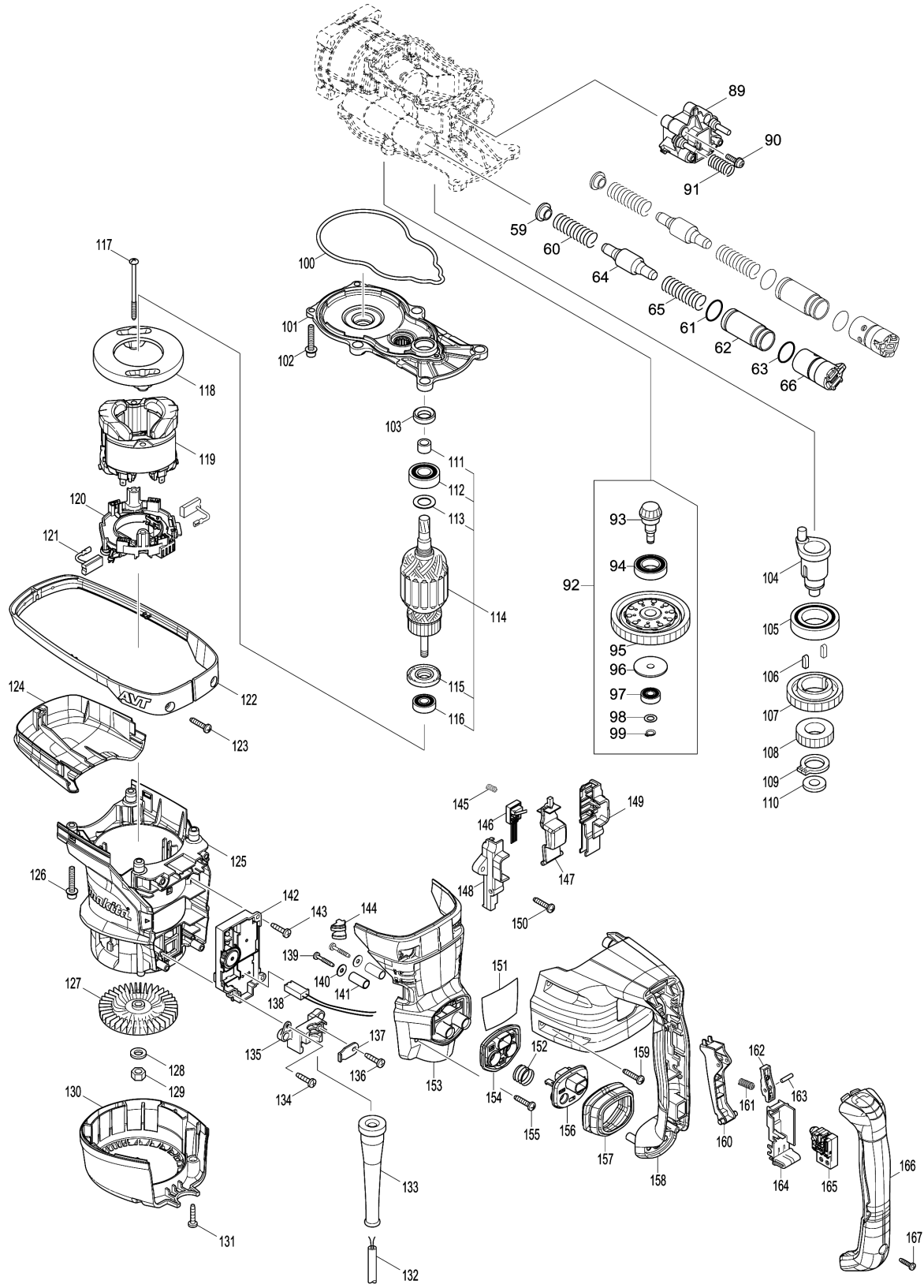


Model No.HR5212C ROTARY HAMMER 52MM



Model No.HR5212C ROTARY HAMMER 52MM



Model No.HR5212C ROTARY HAMMER 52MM

รายการ	รหัสอะไหล่	รายละเอียด	การ แลกเปลี่ยน	จำนวน	New/Old	ขาย	ซื้อ	ข้อความ
001	142411-4	HOUSING COVER A COMPLETE		1				
C10	810100-6	CAUTION LABEL		1				
002	286292-7	TOOL HOLDER CAP		1				
003	233948-3	RING SPRING 25		1				
004	257367-9	RING 28		1				
005	262172-1	RUBBER RING 29		1				
006	454767-6	CHUCK COVER		1				
007	324752-2	CHUCK RING		1				
008	454768-4	RELEASE COVER		1				
009	310178-4	TOOL RETAINER		2				
010	346751-4	SPRING GUIDE		1				
011	234317-1	COMPRESSION SPRING 49		1				
012	346751-4	SPRING GUIDE		1				
013	213674-0	O-RING 60		1	*			
013-1	213664-3	O RING 60	O	1				
014	922456-6	HEX. SOCKET HEAD BOLT M8X35		4				
015	142408-3	BARREL COMPLETE		1				
C10	213663-5	O RING 55		1				
C20	213778-8	OIL SEAL 42		1				
C30	214603-6	PLANE BEARING 49		1				
C40	259056-2	RING SPRING 54		1				
016	454769-2	LOCK SLEEVE		1				
017	259057-0	RING SPRING 74		1				
018	213766-5	O-RING 78		1				
019	213789-3	O-RING 38		1				
021	326361-3	TOOL HOLDER A		1				
022	268308-0	PIN 9		4				
023	231989-3	RING SPRING 46		1				
024	257353-0	RING 49		1				
025	213779-6	O-RING 45		1				
026	267477-4	FLAT WASHER 60		1				
027	262171-3	RUBBER RING 60		1				
028	267477-4	FLAT WASHER 60		1				
029	326362-1	TOOL HOLDER B		1				
030	213783-5	O-RING 48		1				
031	454761-8	SLIDE SLEEVE		1				
032	234318-9	COMPRESSION SPRING 45		1				
033	213811-6	O-RING 26.5		1	*			
033-1	213811-6	O-RING 26.5	S	3				
034	213780-1	FLUORIDE RING 32.5		1	*			

Please order the parts with part number.

Print Date 14/8/2021

Model No.HR5212C ROTARY HAMMER 52MM

รายการ	รหัสอะไหล่	รายละเอียด	การ แลกเปลี่ยน	จำนวน	New/Old	ขาย	ซื้อ	ข้อความ
034-1	213780-1	FLUORIDE RING 32.5	S	3				
035	213776-2	X-RING 26		1	*			
036	326374-4	IMPACT BOLT		1	*			
036-1	327245-8	IMPACT BOLT	S	1	*			
036-2	327245-8	IMPACT BOLT	O	1				
037	257354-8	RING 23		1				
038	262173-9	RUBBER RING 24		1				
039	267856-6	SHOULDER WASHER 23		1				
040	257994-2	RETAINING RING(EXT)WR-44		1				
041	257355-6	RING 44		1				
042	267478-2	FLAT WASHER 44		1				
043	234319-7	COMPRESSION SPRING 46		1				
044	267478-2	FLAT WASHER 44		1				
045	326377-8	STRIKER		1				
046	213781-9	O-RING 33		1				
047	332093-2	CYLINDER 40		1				
048	213460-9	O RING 35		3				
049	213782-7	O-RING 30		1				
050	257820-5	SLEEVE 9		1				
051	319097-1	PISTON		1	*			
051-1	312A68-3	PISTON	<	1				
052	213460-9	O RING 35		1				
053	454765-0	CONNECTING ROD		1				
054	256548-2	FLAT FILLISTER HEAD PIN 6		1				
055	346749-1	LINK PLATE		1				
056	313272-1	DRIVING SLEEVE		1				
057	454779-9	GUIDE RING		1				
058	227625-7	SPIRAL BEVEL GEAR 33		1				
059	454774-9	SPRING PLATE		2				
060	233497-0	COMPRESSION SPRING 15		2				
061	213953-6	O RING 24		2				
062	332092-4	PIPE 21.5		2	*			
063	213953-6	O RING 24		2				
064	326375-2	COUNTER WEIGHT		2				
065	233497-0	COMPRESSION SPRING 15		2				
066	454773-1	HOLDER 15		2	*			
066-1	141E52-3	HOLDER COMPLETE	S	2				
067	265995-6	TAPPING SCREW 4X18		1				
068	454326-6	CHANGE LEVER		1				
069	319082-4	CRANK CAP COVER		1				

Please order the parts with part number.

Print Date 14/8/2021

Model No.HR5212C ROTARY HAMMER 52MM

รายการ	รหัสอะไหล่	รายละเอียด	การ แลกเปลี่ยน	จำนวน	New/Old	ขาย	ซื้อ	ข้อความ
070	454770-7	CONTROL PLATE		1				
071	454771-5	SLIDE PLATE		1				
072	234284-0	COMPRESSION SPRING 4		1				
073	454345-2	CRANK LEVER		1				
074	213262-3	O RING 18		1				
075	424607-2	FILTER CAP		1				
076	443129-3	FILTER		1				
077	911128-8	P.H.SCREW M4X16 WITH WR		6				
078	454764-2	CRANK CAP		1				
079	424608-0	SEAL RING B		1	*			
079-1	422787-8	SEAL RING B	<	1				
080	232280-2	LEAF SPRING		1				
081	454766-8	LINK LEVER		1				
082	911511-9	PAN HEAD SCREW M4X10		1				
083	454778-1	LINK GUIDE		1				
084	233611-8	TORSION SPRING 7		1				
085	911128-8	P.H.SCREW M4X16 WITH WR		2				
086	346748-3	GUIDE RAIL		1				
087	142406-7	CRANK HOUSING A COMPLETE		1	*			
087-1	141H07-6	CRANK HOUSING A COMPLETE	<	1				
088	922359-4	H.S.H.BOLT M6X35 WITH WG		2				
089	454777-3	BASE A		1				
090	911233-1	PAN HEAD SCREW M5X20		3				
091	234320-2	COMPRESSION SPRING 12		2				
092	126476-4	TORQUE LIMITER ASSEMBLY		1				
D10		INC. 93-99						
093	227628-1	SPIRAL BEVEL GEAR 10		1				
094	211323-3	BALL BEARING 6904LLU		1				
095	142410-6	TORQUE LIMITER COMPLETE		1				
096	324727-1	SHOULDER WASHER 8		1				
097	210005-4	BALL BEARING 608DDW		1				
098	253215-0	FLAT WASHER 8		1				
099	961004-6	RETAINING RING S-8		1				
100	424609-8	SEAL RING A		1	*			
100-1	422786-0	SEAL RING A	<	1				
101	142409-1	GEAR HOUSING COMPLETE		1				
102	922359-4	H.S.H.BOLT M6X35 WITH WG		2				
103	213231-4	OIL SEAL 15		1				
104	326376-0	CRANK SHAFT		1	*			
104-1	327142-8	CRANK SHAFT	<	1				

Please order the parts with part number.

Print Date 14/8/2021

Model No.HR5212C ROTARY HAMMER 52MM

รายการ	รหัสอะไหล่	รายละเอียด	การ แลกเปลี่ยน	จำนวน	New/Old	ขาย	ซื้อ	ข้อความ
105	211418-2	BALL BEARING 6006LLU		1				
106	254229-2	KEY 5		2				
107	227788-9	HELICAL GEAR 46		1				
108	227336-4	SPUR GEAR 26		1				
109	961102-6	RETAINING RING S-22		1				
110	253843-1	FLAT WASHER 12		1				
111	331596-3	SLEEVE 12		1				
112	211238-4	BALL BEARING 6202LLU		1				
113	267215-4	FLAT WASHER 15		1				
114	517898-3	ARMATURE ASS'Y 220-240V		1				
D10		INC. 111-113,115,116						
115	681642-5	INSULATION WASHER		1				
116	210059-1	BALL BEARING 6000DDW		1				
117	266568-8	TAPPING SCREW 5X80		2				
118	454772-3	BAFFLE PLATE		1				
119	636303-2	FIELD 220-240V		1				
120	632B59-7	BRUSH HOLDER UNIT		1				
121	195845-0	CARBON BRUSH CB-175		1				
122	454780-4	GUARD 52		1				
123	266041-8	TAPPING SCREW 5X25		2				
124	454763-4	GEAR HOUSING COVER		1				
125	454757-9	MOTOR HOUSING		1				
126	922359-4	H.S.H.BOLT M6X35 WITH WG		2	*			
126-1	922359-4	H.S.H.BOLT M6X35 WITH WG	O	2				
127	240016-5	FAN 90		1				
128	253165-9	FLAT WASHER 8		1				
129	252178-7	HEX. NUT M8-12		1				
130	454762-6	REAR COVER		1				
131	266041-8	TAPPING SCREW 5X25		2				
132	691025-1	POWER SUPPLY CORD 0.75-2-5.0		1				
133	682560-0	CORD GUARD 10		1				
134	265995-6	TAPPING SCREW 4X18		1				
135	419024-9	CORD CLAMP BASE		1				
136	265995-6	TAPPING SCREW 4X18		1				
137	687169-3	STRAIN RELIEF		1				
138	632C15-3	LEAD UNIT		1				
139	266041-8	TAPPING SCREW 5X25		2				
140	253194-2	FLAT WASHER 5		2				
141	257813-2	SLEEVE 9		2				
142	620249-2	CONTROLLER		1				

Please order the parts with part number.

Print Date 14/8/2021

Model No.HR5212C ROTARY HAMMER 52MM

รายการ	รหัสอะไหล่	รายละเอียด	การ แลกเปลี่ยน	จำนวน	New/Old	ขาย	ซื้อ	ข้อความ
143	265995-6	TAPPING SCREW 4X18		1				
144	454346-0	LENS		1				
145	234281-6	COMPRESSION SPRING 6		1				
146	632A83-4	SWITCH UNIT		1				
147	454336-3	SWITCH LEVER C		1				
148	187890-9	SWITCH CASE SET		1				
D10		INC. 149						
149	187890-9	SWITCH CASE SET		1				
D10		INC. 148						
150	266041-8	TAPPING SCREW 5X25		2				
151	815W21-5	HR5212C NAME PLATE		1				
152	234283-2	COMPRESSION SPRING 18.5		2				
153	454758-7	HANDLE BASE		1				
154	454343-6	DUST SUPPORT A		1				
155	266041-8	TAPPING SCREW 5X25		2				
156	454344-4	DUST SUPPORT B		1				
157	424557-1	DUST COVER		1				
158	454759-5	HANDLE A		1				
159	266041-8	TAPPING SCREW 5X25		4				
160	454332-1	SWITCH LEVER A		1				
161	234285-8	COMPRESSION SPRING 7		1				
162	454327-4	SUB LEVER		1				
163	268309-8	PIN		1				
164	154626-1	SWITCH HOLDER COMPLETE		1				
165	650678-5	SWITCH C3PA-1121		1				
166	454760-0	HANDLE COVER		1				
167	265995-6	TAPPING SCREW 4X18		1				
168	257994-2	RETAINING RING(EXT)WR-44		1				
A01	135283-4	SIDE HANDLE 90 ASSEMBLY		1				
C10	252640-2	WING NUT M8		1				
C20	265439-6	HEX. BOLT M8X150		1				
C30	318430-4	SIDE HANDLE BASE 90A		1				
C40	318431-2	SIDE HANDLE BASE 90B		1				
C50	417002-3	SIDE HANDLE CAM		2				
C60	417003-1	SIDE HANDLE		1				
C70	951166-8	SPRING PIN 5-24		1				
A02	135629-4	SIDE GRIP ASSEMBLY		1				
C10	158131-0	GRIP 36 COMPLETE		1				
C20	234226-4	COMPRESSION SPRING 6		1				
C30	266163-4	CUP SQUARE NECK BOLT M8X80		1				

Please order the parts with part number.

Print Date 14/8/2021

Model No.HR5212C ROTARY HAMMER 52MM

รายการ	รหัสอะไหล่	รายละเอียด	การ แลกเปลี่ยน	จำนวน	New/Old	ขาย	ชื่อ	ข้อความ
C40	313223-4	RACK GUIDE		1				
C50	344492-6	PLATE		1				
C60	346750-6	GRIP SPRING 90		1				
C70	453114-8	LOCK BUTTON		1				
C80	454781-2	SIDE GRIP BASE 90		1				
A03	194683-7	GREASE VESSEL SET		1				
A04	142296-8	PLASTIC CASE COMPLETE		1				
C10	162271-8	LATCH		2				
C20	801Y02-7	INDICATION LABEL		1				
A05	804K54-3	HR5212C PLASTIC CASE LABEL		2				
A06	331955-1	DEPTH GAUGE		1				
A07	443122-7	CLOTH		1				

Please order the parts with part number.

Print Date 14/8/2021