

# PARTS LIST

## MS078D-T

### CONTENTS

1. MAIN BODY .....	1 ~ 2
2. CHEMICAL TANK .....	3 ~ 4
3. ENGINE .....	5 ~ 8
4. CARBURETOR, FUEL TANK .....	9 ~ 10
5. ACCESSORIES .....	11 ~ 12

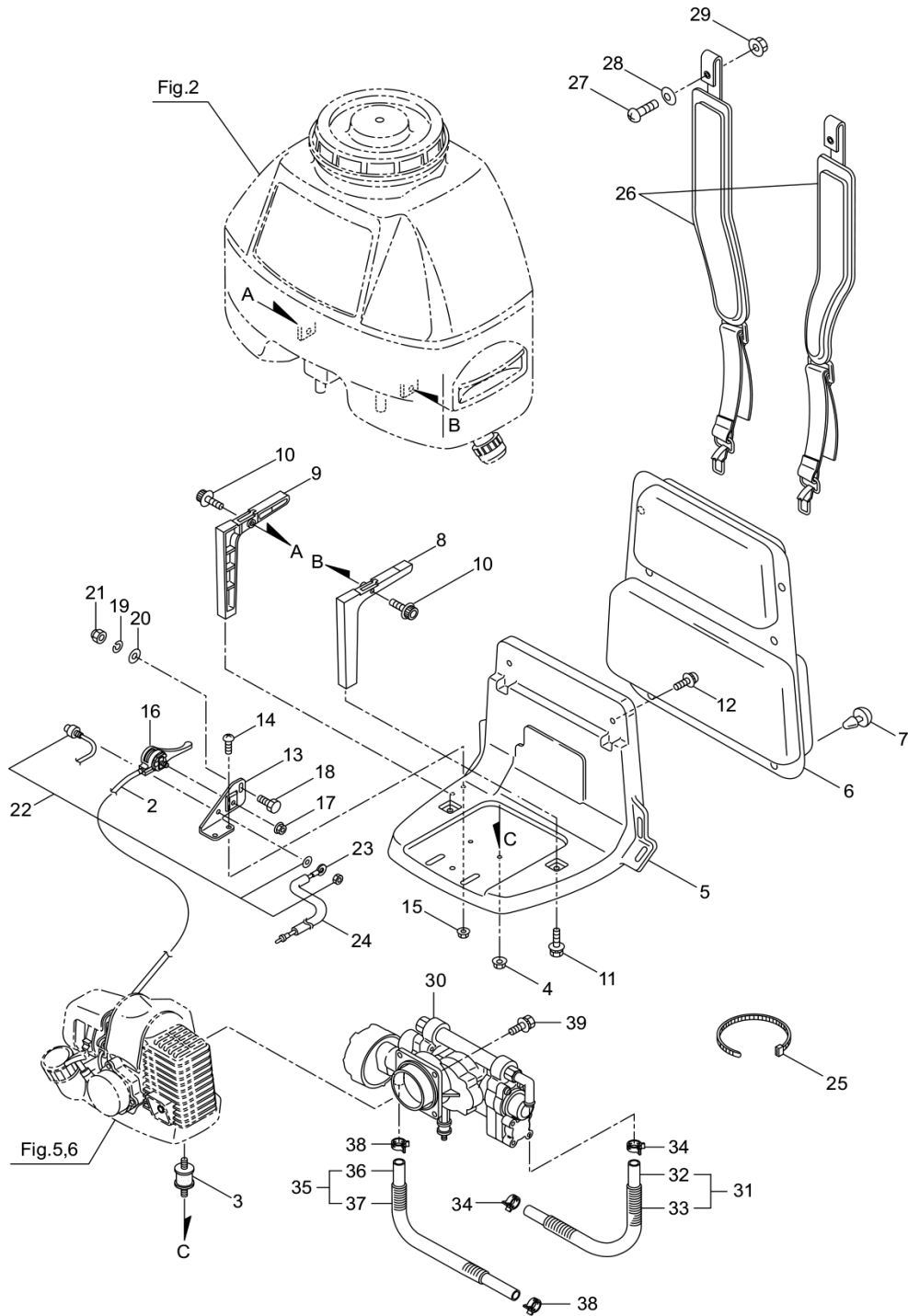
2015. 04.



**MARUYAMA**

P/N 524060

1. MS078D-T  
MAIN BODY

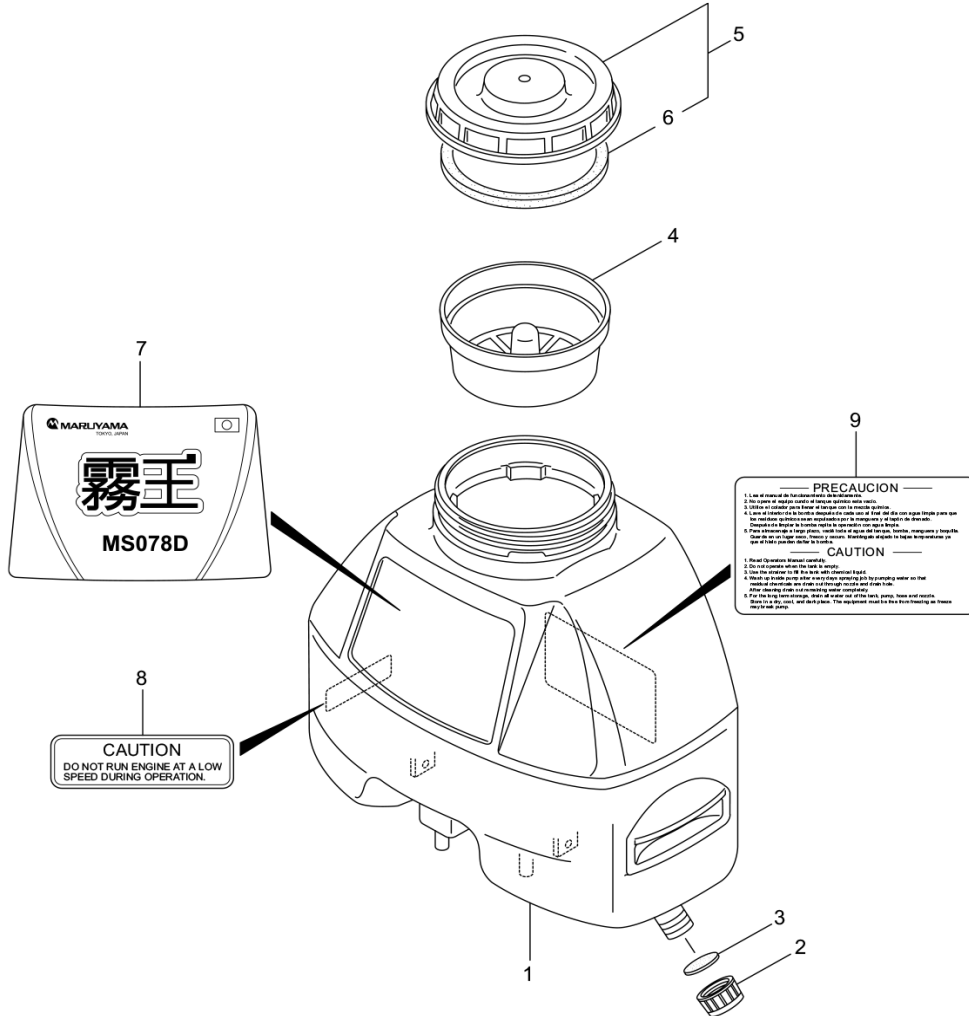


- 1 -

Status	Position	Parts Number	Parts Name	Unit Quantity	Set Unit Quantity	Specification	Remarks	Maker code
--------	----------	--------------	------------	---------------	-------------------	---------------	---------	------------

Status	Position	Parts Number	Parts Name	Unit Quantity	Set Unit Quantity	Specification	Remarks	Maker code
	1	366519	MS078D-T	1				
	2	272214	THROTTLE CABLE	1		OUT320/IN87		
	3	109246	BUFFER	3		25-M6X14X8.5		
	4	127228	NUT	3	10	M6(サカネイ18)	M6	
	5	563141	BASE	1		ナリナル		
	6	131025	PAD	1		カ		
	7	100749	FASTNER	6	5	ボネ7	#7	
	8	118002	STAY	1		ケレ		
	9	118004	STAY	1		ケレ		
	10	123952	CAP SCREW	2	5	M6X14 汎用タイプ	M6x14	
	11	127233	BOLT	2	10	M6X16(SMタイプ)	M6x16	
	12	127238	SCREW	2	10	M6X13(SMタイプ)	M6x13	
	13	566143	STAY	1				
	14	081415	SCREW	2	10	M5X0.8X16	M5x16	
	15	127226	FLANGE NUT	2	10	M5	M5	
	16	115148	THROTTLE LEVER	1		トリヨウサキヨウ		
	17	127226	FLANGE NUT	1	10	M5	M5	
	18	127220	BOLT	1	10	M6X12	M6x12	
	19	126568	SPRING WASHER	1	5	M6 2コウ	M6	
	20	126572	WASHER	2	10	M6 カタ	M6	
	21	089750	HEXAGON NUT	1	10	M6 カタ	M6	
	22	114895	STOP SWITCH	1		AV0.5X320L 7カ		
	23	114896	EARTH CORD	1		AV0.5X320L M8		
	24	114901	VINYL HOSE	1		8X9X220(カ)	8x9x220L	
	25	685048	BAND	1		CV-150B(カ)	CV-150B	
△	26	566152	BAND ASSY	1				
	27	127221	SCREW	2	5	M6X16	M6x16	
	28	127224	WASHER	2	5	6X23XT1.6	6x23xt1.6	
	29	127237	NUT	2	5	M6(サカネ25XT1.6)	M6	
	30	563075	PUMP ASSY	1		#980405		
	31	118358	HOSE ASSY	1			Incl.32,33	
	32	118359	HOSE	1		10X15X390	10x15x390L	
	33	118337	TUBE	1		15.2X19.5X220入り	15x19.5x180L	
	34	566167	HOSE BAND	2	5	150-05-00		
	35	118360	HOSE ASSY	1			Incl.36,37	
	36	118361	HOSE	1		10X15X350	10x15x350L	
	37	118337	TUBE	1		15.2X19.5X220入り	15x19.5x180L	
	38	566167	HOSE BAND	2	5	150-05-00		
	39	092548	BOLT	4	10	M5X1577°セツト	M5x15	

2. MS078D-T  
CHEMICAL TANK



**PRECAUCION**

1. Use el producto de forma correcta. Véase manual.  
 2. No opere el equipo con el tanque de combustible vacío.  
 3. Nunca se conecte el equipo al sistema de combustible sin la conexión apropiada.  
 4. Nunca se conecte el equipo al sistema de combustible sin la conexión apropiada.  
 5. Nunca se conecte el equipo al sistema de combustible sin la conexión apropiada.  
 6. Nunca se conecte el equipo al sistema de combustible sin la conexión apropiada.  
 7. Nunca se conecte el equipo al sistema de combustible sin la conexión apropiada.  
 8. Nunca se conecte el equipo al sistema de combustible sin la conexión apropiada.  
 9. Nunca se conecte el equipo al sistema de combustible sin la conexión apropiada.

**CAUTION**

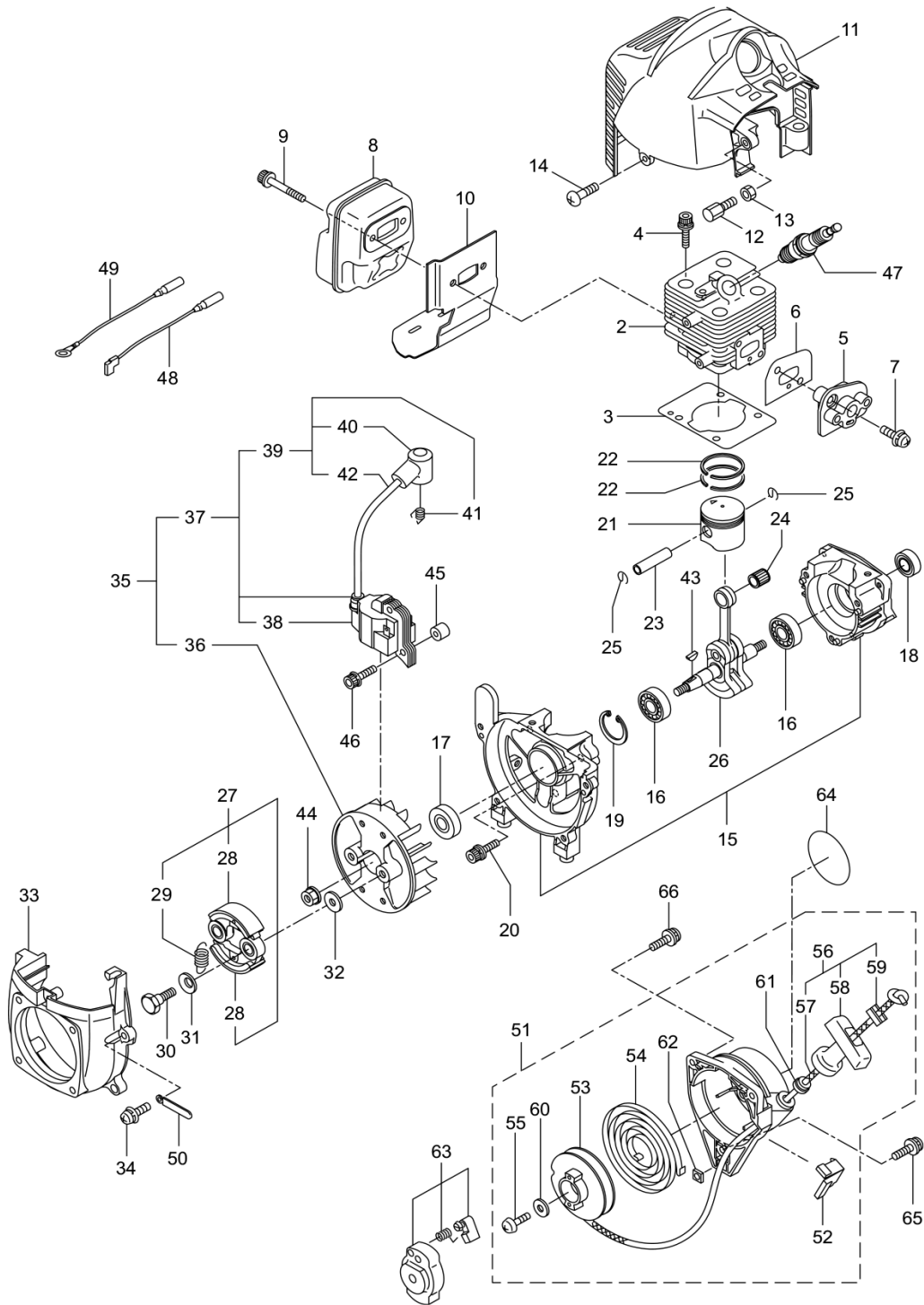
1. Read the manual before use.  
 2. Do not operate when the tank is empty.  
 3. Never connect the equipment to the fuel system without the proper connection.  
 4. Never connect the equipment to the fuel system without the proper connection.  
 5. Never connect the equipment to the fuel system without the proper connection.  
 6. Never connect the equipment to the fuel system without the proper connection.  
 7. Never connect the equipment to the fuel system without the proper connection.  
 8. Never connect the equipment to the fuel system without the proper connection.  
 9. Never connect the equipment to the fuel system without the proper connection.

**CAUTION**  
DO NOT RUN ENGINE AT A LOW SPEED DURING OPERATION.

Status	Position	Parts Number	Parts Name	Unit Quantity	Set Unit Quantity	Specification	Remarks	Maker code
--------	----------	--------------	------------	---------------	-------------------	---------------	---------	------------

Status	Position	Parts Number	Parts Name	Unit Quantity	Set Unit Quantity	Specification	Remarks	Maker code
	1	566117	CHEMICAL TANK	1				
	2	118147	CAP	1		ア(10B5/10)		
	3	029299	RUBBER PACKING	1	5	36XT3.0	36xt3.0	
	4	131153	STRAINER	1		ア		
	5	118145	CHEMICAL TANK CAP	1		ア-	Incl.6	
	6	022362	PACKING	1		150X170XT10		
	7	563120		1		MS078D	MS078D	
	8	566106	LABEL	1		CAUTION	Caution	
	9	563054	LABEL	1		ア ア		

### 3. MS078D-T ENGINE

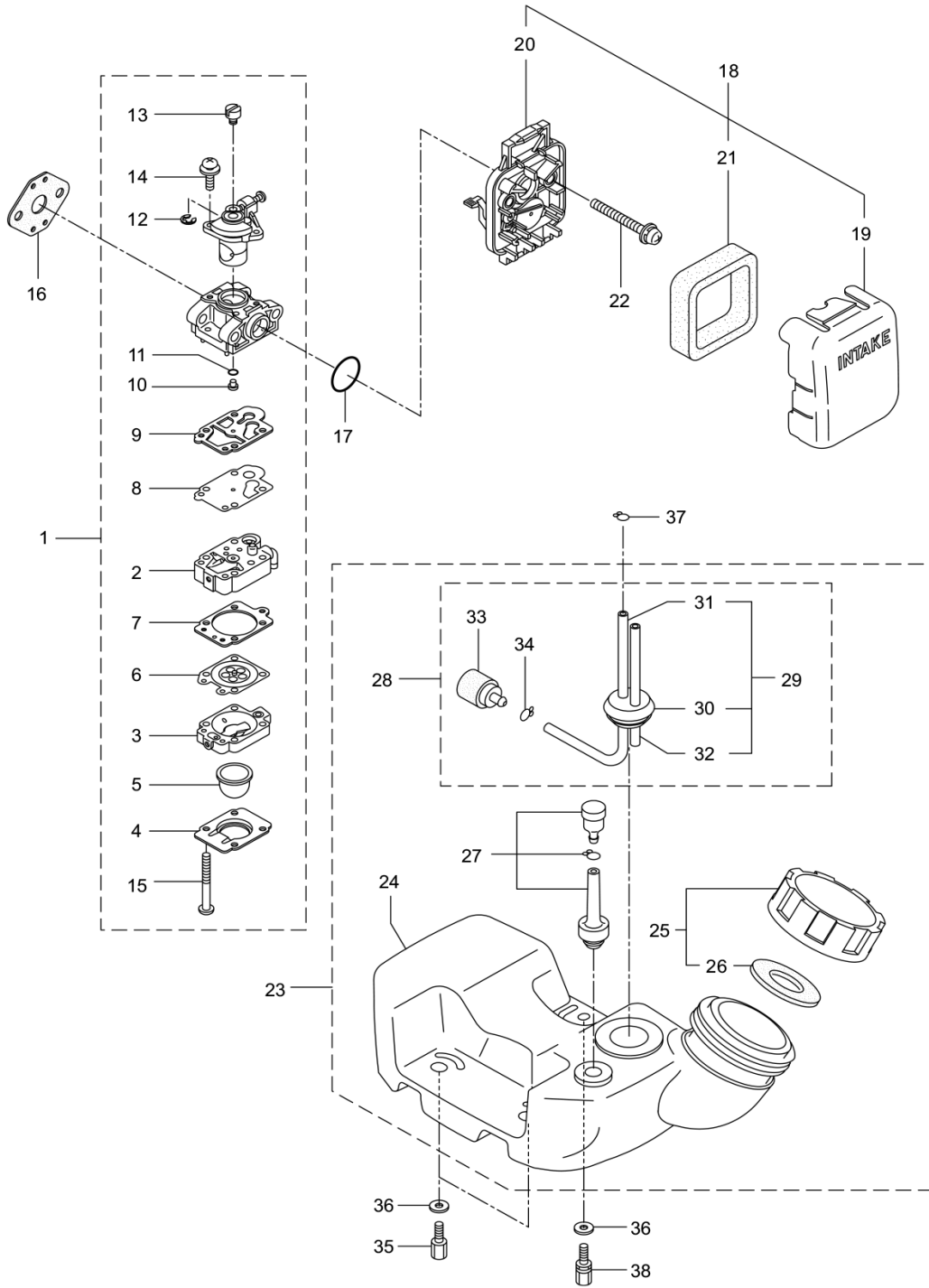


Status	Position	Parts Number	Parts Name	Unit Quantity	Set Unit Quantity	Specification	Remarks	Maker code
	1	859737	EE260PTH/03	1			EE260PTH/03	
	2	269140	CYLINDER	1			New gasket required	
	3	282330	GASKET	1	5	T=0.5		
	4	261250	CAP SCREW	4	5	M5X20	M5x20	
	5	263772	INSULATOR ASSY	1		LE230	New gasket required	
	6	267049	GASKET	1	5			
	7	269826	SCREW	2	5	M5X25WSW†+ミ	M5x25	
	8	285102	MUFFLER COMPLETE	1				
	9	266264	CAP SCREW	2	5	M5X50	M5x50	
	10	282252	GASKET	1		T=0.5		
	11	289909	TOP COVER	1		ア EE260ツノツキ		
	12	265410	SCREW	1		ソコトクイ°		
	13	563099	NUT	1	5	M6 3ツ1	M6	
	14	280144	TAPPING SCREW	1	5	4X16ツル°ノ°ヲス		
	15	282245	CRANKCASE	1				
	16	280488	BEARING 6001C3	2		6001 C3ツハ°ツト	PPL 6001	
	17	261492	OIL SEAL	1		ISCD12287ツリツナ	ISCD12287	
	18	261386	OIL SEAL	1		ISCD12227ツリツナ	ISCD12227	
	19	055185	SNAP RING #28	1	5	アツツ28	#28	
	20	261612	CAP SCREW	3		M5X30	M5x30	
	21	282328	PISTON	1				
	22	261496	PISTON RING	2			(2)Required	
	23	261497	PISTON PIN	1		5.7X8X27.5		
	24	261037	BEARING NEEDLE KBK8X11X11.8X1	1		KBK8X11X11.8X1	KBK8x11x11.8x1	
	25	261576	CLIP PISTON	2				
	26	282323	CRANKSHAFT COMPLETE	1		EE260ツ		
	27	264887	CLUTCH ASSY	1			Incl.28,29	
	28	264888	CLUTCH SHOE	2			(2)required	
	29	264889	SPRING	1				
	30	264505	BOLT	2				
	31	261777	WAVE WASHER	2	5			
	32	261189	WASHER	2	5	6X16.5XT1.2	6x16.5xt1.2	
	33	283386	FAN COVER	1				
	34	269831	SCREW	4	5	M5X20WSW†	M5x20	
	35	282692	MAGETO ASSY	1		10010-23651	Incl.36-42	
	36	261356	ROTOR	1		10701-30541		
	37	282693	IGNITION COIL ASSY	1		SHIC	Incl.38-42	
	38	267401	COIL	1		10735-30612		
	39	282694	SPARK PLUG WIRE ASSY	1			Incl.40-42	
	40	261074	PLUG BOOT	1		10855-40131		
	41	261075	CONNECTOR	1		10805-40061		
	42	282695	SPARK PLUG WIRE	1				
	43	261076	WOODRUFF KEY 3X10	1	5	Aツ1 3X10	3x10	
	44	261417	NUT ROTOR M8	1	5	M8	M8	
	45	280381	SPACER	2	5			
	46	261256	BOLT	2	5	M4X25	M4x25	
	47	264652	SPARK PLUG	1			CJ8Y	
	48	267492	LEAD	1		130L	130L	
	49	282880	WIRE LEAD	1		95M5 CBH		
	50	264588	CLAMP	1	5			
	51	273093	STARTER ASSY	1			Incl.52-62	
	52	288500	PLATE	1		269999ツツツツ°ツツ		
	53	280492	REEL	1				
	54	287421	SPRING	1		T0.4		
	55	280494	SCREW SET	1				
	56	280495	ROPE ASSY	1			Incl.57-59	
	57	283616	STARTER ROPE	1				
	58	280497	STARTER KNOB	1				
	59	280550	STOPPER	1				
	60	280547	WASHER	1	10			
	61	280548	COLLAR	1				
	62	269423	NUT	1	5	ツツツツツM5		

Status	Position	Parts Number	Parts Name	Unit Quantity	Set Unit Quantity	Specification	Remarks	Maker code
	63	287399	STARTER PULLEY ASSY	1		ﾀﾞｲｶﾞｽﾄｲ		
	64	563121		1		EE260P	EE260P	
	65	269833	SCREW	1	5	M4X16WSW†+ミ	M4x16	
	66	280489	SCREW	2	5	M4X20WSW†	M4x20	

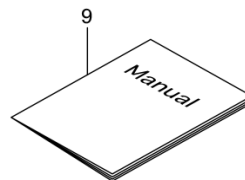
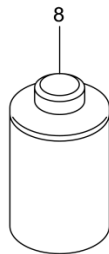
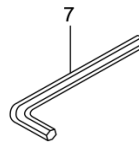
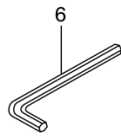
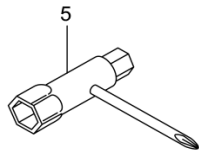
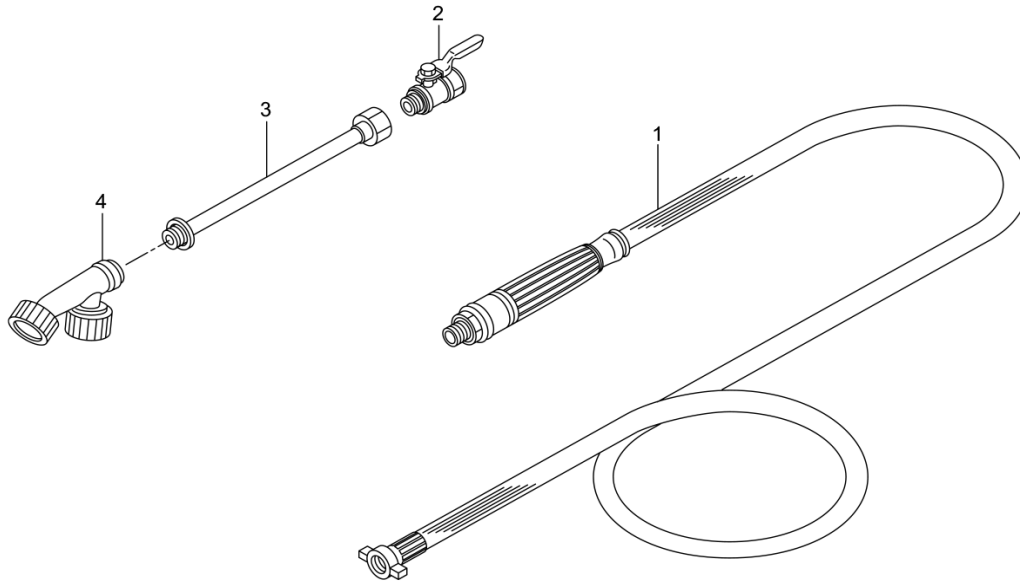


#### 4. MS078D-T CARBURETOR, FUEL TANK



Status	Position	Parts Number	Parts Name	Unit Quantity	Set Unit Quantity	Specification	Remarks	Maker code
	1	275045	CARBURETOR ASSY	1		WYL-336	Incl.2-15 New gasket required	
	2	263739	CARBURETOR BODY	1		WB5-2571		
	3	262991	PURGE BODY	1		WB5-2557		
	4	262992	COVER	1		WB21-3147		
	5	261874	PRIMER	1		WB188-12		
	6	283905	DIAPHRAGM METERRING	1		WB95-614		
	7	262993	GASKET	1		WB92-359		
	8	262994	DIAPHRAGM	1		WB95-99		
	9	282576	GASKET	1		WB92-415		
	10	267358	MAIN JET	1		WB112-3070-350L		
	11	261871	O-RING	1		WB16-104		
	12	261876	RING	1		WB16-71		
	13	261658	SWIVEL	1		WB52-34		
	14	264682	SCREW	2		WB96-364		
	15	262996	SCREW	4	5	WB96-425		
	16	261864	GASKET	1	5			
	17	264691	O-RING	1	5			
×	18	266420	CLEANER ASSY	1		CAA-76	Incl.19-21	
	19	264709	AIR CLEANER COVER	1		AIR FILTER		
	20	266433	HOUSING ASSY	1				
	21	264695	FILTER	1		WB125-62		
	22	269834	SCREW	2	5	M5X60WSW†		
	23	289766	FUEL TANK ASSY	1		A45B52C160D85	Incl.24-34	
	24	282250	FUEL TANK	1		600CC		
	25	563032	FUEL TANK CAP ASSY	1			Incl.26	
	26	269377	GASKET	1		NIPOL 1041		
	27	289352	BREATHER ASSY	1				
	28	289767	FUEL PIPE	1			Incl.29-34	
	29	289768	FUEL PIPE ASSY	1			Incl.30-32	
	30	288192	GROMMET	1				
	31	563016	FUEL PIPE	1		3X5X160L(㊦)	3x5x160	
	32	288194	RETURN PIPE	1		3X6X85(†)	3x6x85	
	33	264653	FILTER ASSY	1		125-552		
	34	563014	CLIP	1				
	35	563119	EXTENSION	2				
	36	283688	WASHER	3	5	5.5X12X1.6㊦	5.5x12x1.6	
	37	563014	CLIP	1				
	38	563142	EXTENSION	1				

5. MS078D-T  
ACCESSORIES



Status	Position	Parts Number	Parts Name	Unit Quantity	Set Unit Quantity	Specification	Remarks	Maker code
				1				

Status	Position	Parts Number	Parts Name	Unit Quantity	Set Unit Quantity	Specification	Remarks	Maker code
×	1	273610	HOSE ASSY	1		#980451		
	2	105891	BALL COCK(ON/OFF)	1		PF1/4 7944	G1/4xG1/4	450095060
	3	273611	NOZZLE PIPE	1		G1/4 8-680 7#1/4"	600L	
	4	563057	WIDE NOZZLE 3	1		NH-V-2M-3(177ホ)		
	5	127099	BOX SPANNER	1		13X19X(+)"ト" 1/4"		
	6	062047	WRENCH	1		2メ"1/4" 3	3mm	
	7	105489	WRENCH	1		2メ"1/4" 4	4mm	
	8	022540	FUEL BLENDING BOTTLE	1		0.5L		
	9	563122		1		MS078D	MS078D	