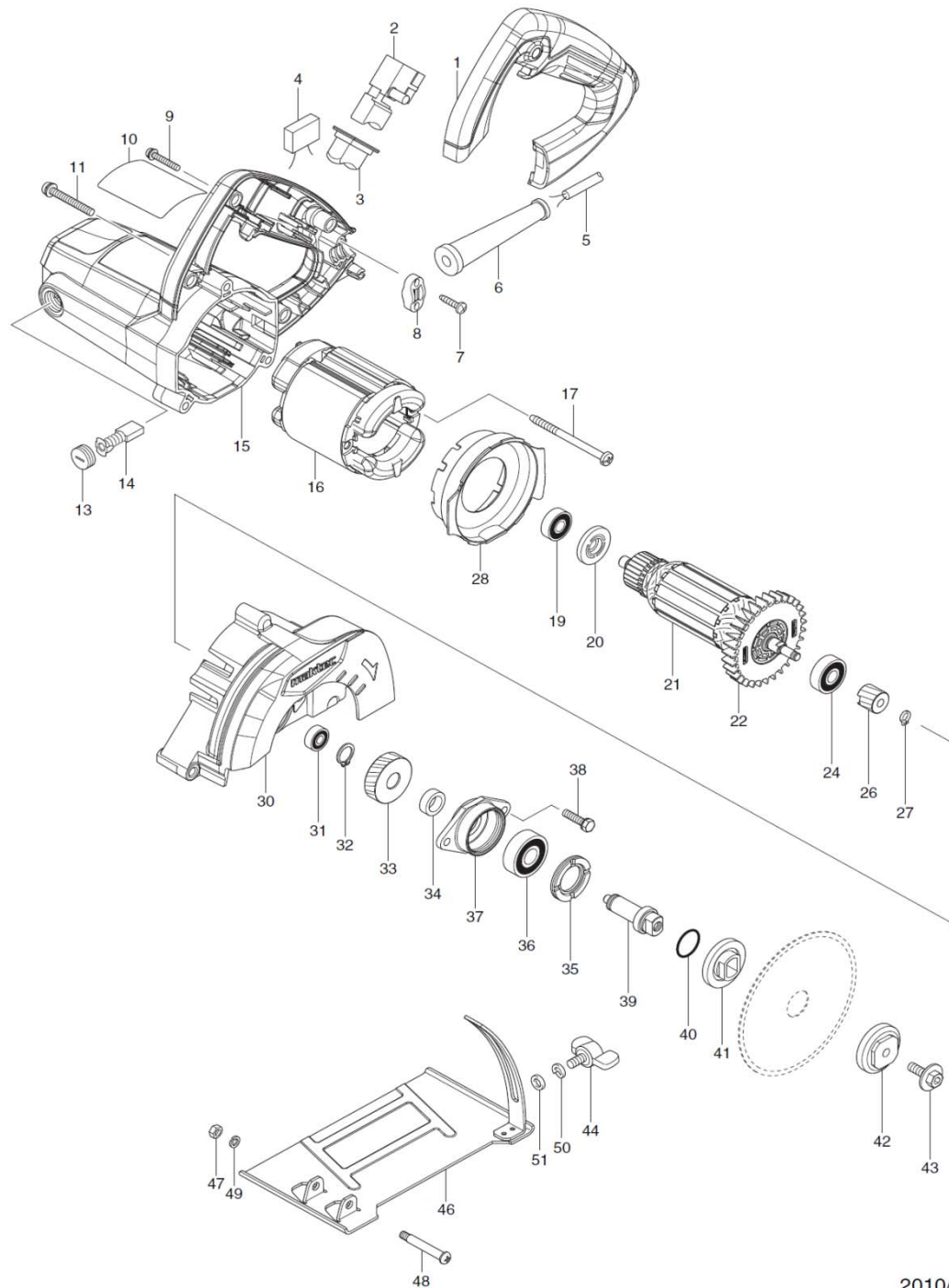


# MT412X

1/2/2013



2010/08  
MT412

REF NO.	PARTS NO.	DESCRIPTION	ราคาตั้ง (บาท)
1	452460-6	HANDLE COVER	210
2	650239-1	SWITCH FA1-6/1B	190
3	421812-2	DUST COVER	100
5	691780-5	POWER SUPPLY CORD 0.75-2-5.0	320
6	682574-9	CORD GUARD 10-90	90
7	266326-2	TAPPING SCREW 4X18	30
8	687140-7	STRAIN RELIEF	40
9	266326-2	TAPPING SCREW 4X18	30
11	911263-2	PAN HEAD SCREW M5X40	60
13	643750-0	BRUSH HOLDER CAP	70
14	B-80379	CARBON BRUSH SET CB-303A	
15	140733-6	MOTOR HOUSING COMPLETE	800
16	594603-5	FIELD ASS'Y 220V	
17	266389-8	TAPPING SCREW 5X70	50
19	210029-0	BALL BEARING 608ZZ	130
20	681644-1	INSULATION WASHER	60
21	513813-5	ARMATURE ASS'Y 220V	
22	240109-8	FAN 70	120
24	210125-4	BALL BEARING 629DDW	170
26	227738-4	HELICAL GEAR 17	280
27	961002-0	RETAINING RING S-6	20
28	452461-4	BAFFLE PALTE	70
30	140734-4	BLADE CASE COMPLETE	1100
31	210028-2	BALL BEARING 606ZZ	130
32	961052-5	RETAINING RING S-12	40
33	227739-2	HELICAL GEAR 44	290
34	257173-2	RING 12	80
35	285852-2	BEARING RETAINER 19-33	120
36	211145-1	BALL BEARING 6201ZZ	180
37	318682-7	BEARING BOX	230
38	265120-9	PAN HEAD SCREW M5X16	110
39	326013-6	SPINDLE	240
40	213279-6	O RING 18	100
41	224080-4	INNER FLANGE 36	340
42	224081-2	OUTER FLANGE 36	240
43	266286-8	HEX. SOCKET HEX. BOLT M6X18	90
44	265754-8	THUMB SCREW M6X12	60
46	165630-5	BASE	360
47	252175-3	HEX. NUT M5	70
48	265091-0	PAN HEAD SCREW M5	100
49	942101-7	SPRING WASHER 5	100
50	942151-2	SPRING WASHER 6	100
51	941151-9	FLAT WASHER 6	30