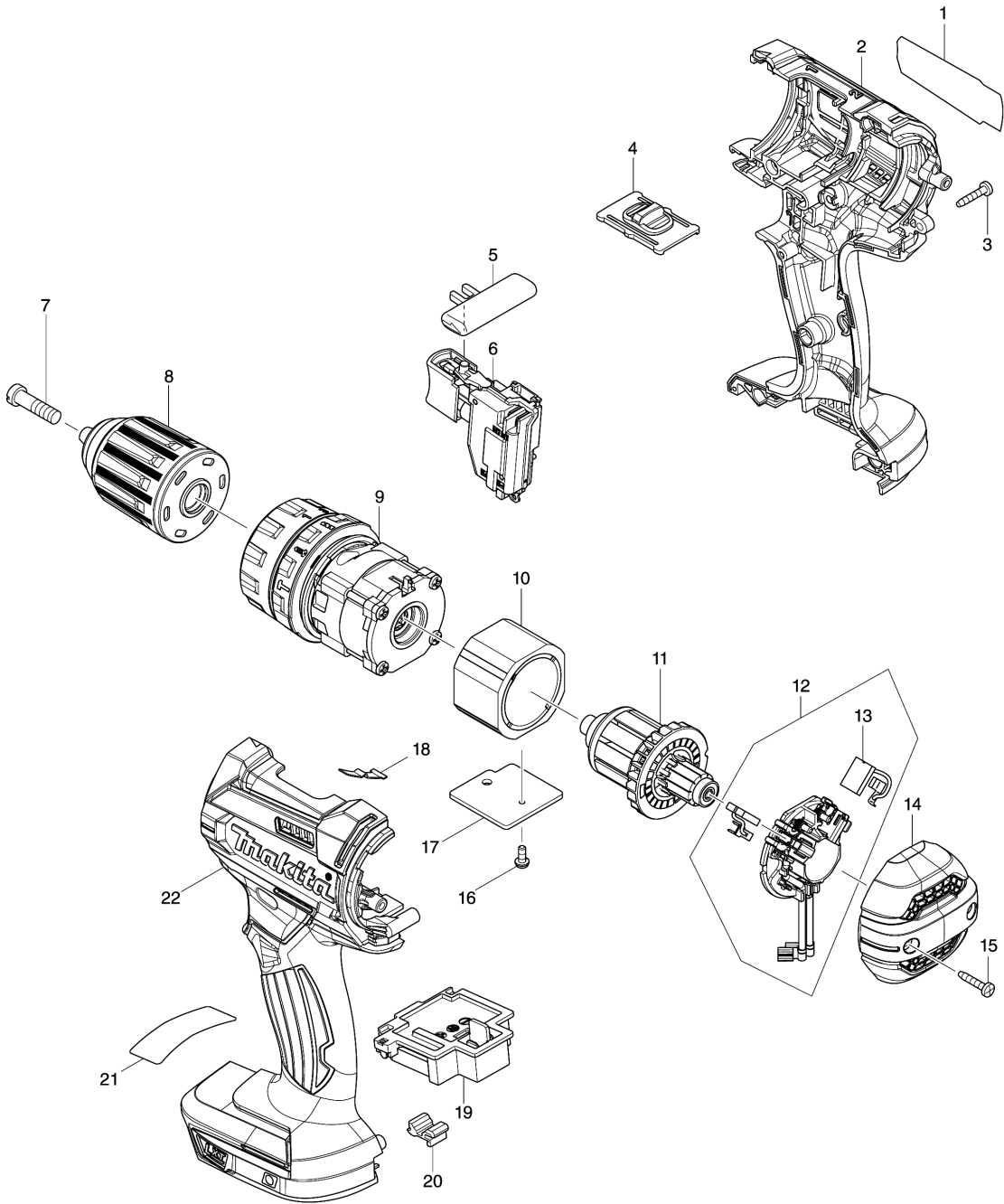


Model No.DHP482 CORDLESS HAMMER DRIVER DRILL



Model No.DHP482 CORDLESS HAMMER DRIVER DRILL

รายการ	รหัสอะไหล่	รายละเอียด	การ แลกเปลี่ยน	จำนวน	New/Old	ขาย	ซื้อ	ข้อความ
001A	851E32-8	DHP482 NAME PLATE		1	*			
001B	851E32-8	DHP482 NAME PLATE		1	*			
001-1A	857L25-5	DHP482 NAME PLATE	S	1				
001-1B	857L25-5	DHP482 NAME PLATE	S	1				
001-1C	857L25-5	DHP482 NAME PLATE		1				
002	183B65-0	HOUSING SET		1				
C10	263005-3	RUBBER PIN 6		2				
D10		INC. 22						
003	266429-2	TAPPING SCREW 3X16		9				
004	123442-2	SPEED CHANGE LEVER ASSEMBLY		1				
C10	233438-6	COMPRESSION SPRING 4		2				
005	419041-9	F/R CHANGE LEVER		1				
006	650753-7	SWITCH C3HA-Z1A-TLF1MS		1				
C10	620444-4	LED CIRCUIT		1				
007	251468-5	- FLAT HEAD SCREW M6X22		1				
008	766027-7	KEYLESS DRILL CHUCK 13		1				
009	123443-0	GEAR ASSEMBLY		1				
010A	632F32-1	YOKE UNIT		1	*			
010-1A	632J70-7	YOKE UNIT	<	1				
010-1B	632J70-7	YOKE UNIT		1				
010-1C	632J70-7	YOKE UNIT		1				
011	619380-9	ARMATURE		1				
012	632F22-4	BRUSH HOLDER COMPLETE		1				
D10		INC. 13						
013A	195021-6	CARBON BRUSH SET CB-440		1				
013-1B	195021-6	CARBON BRUSH SET CB-440		1				
013-1C	195021-6	CARBON BRUSH SET CB-440		1				
014	456099-7	REAR COVER		1				
015	266429-2	TAPPING SCREW 3X16		2				
016A	911006-2	PAN HEAD SCREW M3X8		1	*			
016-1A	652066-2	+PAN HEAD SCREW M3X9 WITH W	<	1				
016-1B	652066-2	+PAN HEAD SCREW M3X9 WITH W		1				
016-1C	652066-2	+PAN HEAD SCREW M3X9 WITH W		1				
017	689070-8	HEAT SINK		1				
018	232182-2	LEAF SPRING		1				
019	644808-8	TERMINAL		1				
020	424476-1	CUSHION		1				
022	183B65-0	HOUSING SET		1				
C10	263005-3	RUBBER PIN 6		2				

Model No.DHP482 CORDLESS HAMMER DRIVER DRILL

รายการ	รหัสอะไหล่	รายละเอียด	การ แลกเปลี่ยน	จำนวน	New/Old	ขาย	ซื้อ	ข้อความ
D10		INC. 2						
O23A	857L26-3	DHP482 SERIAL NO. LABEL	S	1				
O23B	857L26-3	DHP482 SERIAL NO. LABEL	S	1				
O23C	857L26-3	DHP482 SERIAL NO. LABEL		1				
A01	251314-2	+ SCREW M4X12		1				
A02	346317-0	HOOK		1				
A03	784637-8	+/- BIT 2-45		1				
A04B	141856-3	PLASTIC CARRYING CASE COMPLETE		1				
C10	162302-3	LATCH		2				
C20	324207-7	SHAFT		1				
C30	451749-9	HANDLE		1				
A04C	821809-5	PLASTIC CASE		1				
C10	455522-9	SLIDE LATCH		2				
A05B	450128-8	BATTERY COVER		1				
A05C	450128-8	BATTERY COVER		1				
A06B	***DC18RC	DC18RC FAST CHARGER		1				
A06C	***DC18SD	DC18SD BATTERY CHARGER		1				
A07-1B	197600-6	BATTERY BL1830B SET		2	*			
A07-2B	199283-8	BATTERY BL1830B SET	<	2	*			
A07-3B	199283-8	BATTERY BL1830B SET	<	2				
A07-3C	199283-8	BATTERY BL1830B SET		2				
A08B	807S47-7	DHP482RFE PLASTIC CASE LABEL		2				
A08C	D-72148	ACCESSORY SET FOR HP453		1				

Please order the parts with part number.

Print Date 24/8/2021