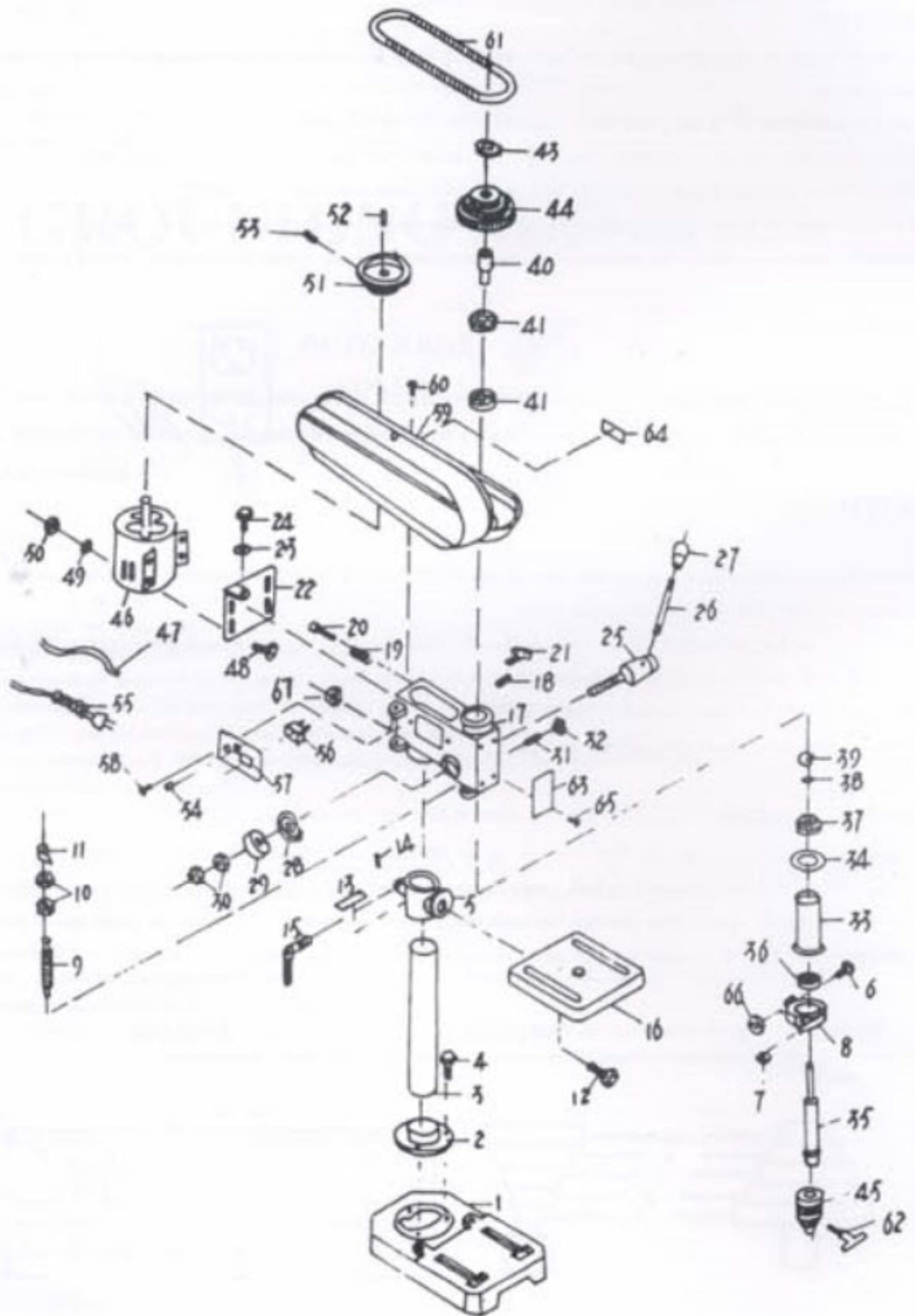


PART LIST MODEL: PD13



Part No.	Description	Part No.	Description
1	Base	34	Rubber washer
2	Column holder	35	Shaft
3	Column	36	Ball bearing
4	Bolt	37	Ball bearing
5	Table bracket	38	Retaining ring
6	Headless set screw	39	Retaining ring
7	Nut	40	keyway spindle
8	Set ring	41	Ball bearing
9	Bolt set	42	Ball bearing
10	Nut	43	Pulley set nut
11	Scale	44	Spindle pulley
12	Pivot bolt	45	Chuck
13	Angle scale	46	Motor
14	Set screw	47	Motor wire
15	Table lock handle	48	Bolt
16	Table	49	Washer
17	Head	50	Nut
18	Headless screw	51	Motor pulley
19	Spring	52	Key
20	Slide bar	53	Headless set screw
21	Slide bar bolt	54	Screw
22	Motor base	55	Wire
23	Washer	56	Switch
24	Bolt	57	Switch cover
25	Feed shaft	58	Cross head set screw
26	Handle bar	59	Pulley cover
27	Grip	60	Flast screw
28	Coil spring	61	V-Belt wire
29	Spring cover	62	Chuck key
30	Nut	63	Name plate
31	Quill set screw	64	Speed label
32	Nut	65	Nut
33	Quill	66	Nut