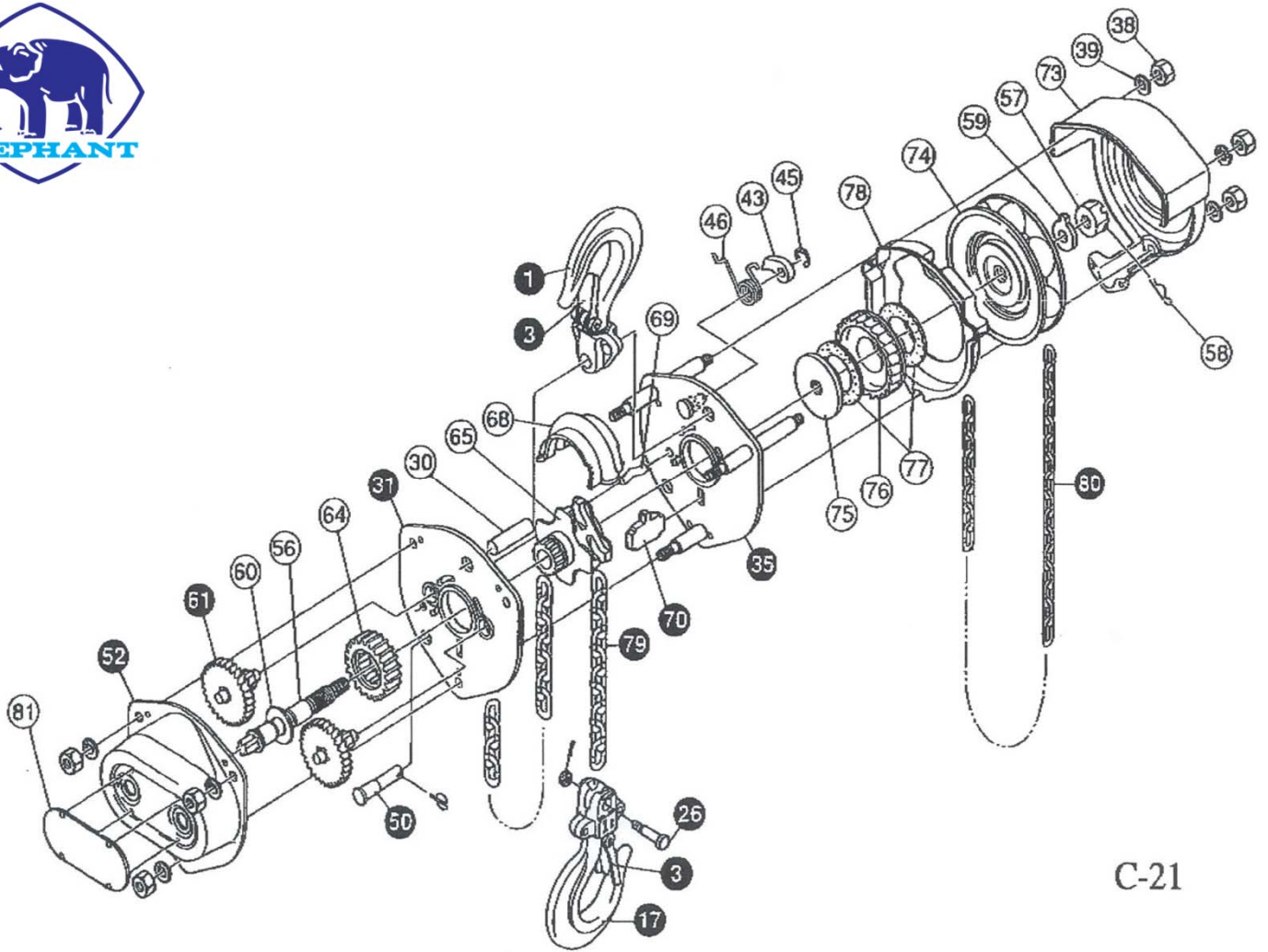
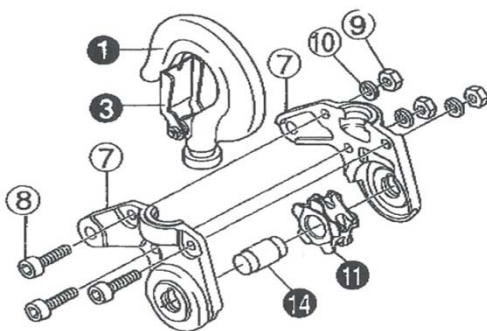




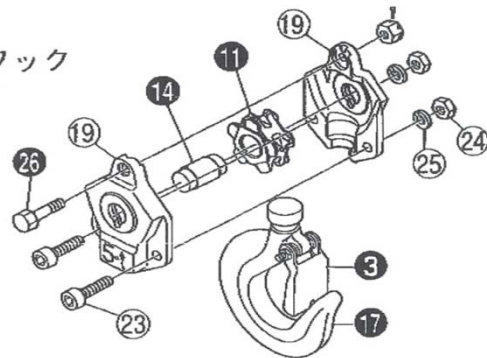
ราคาอะไหล่รถไถ ดราข้าง รุ่น C-21



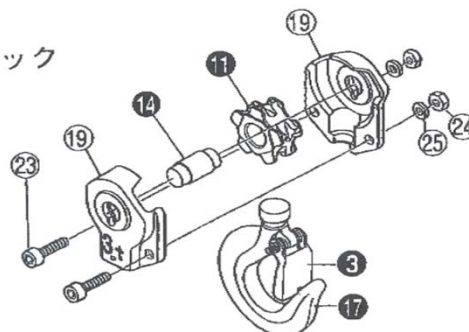
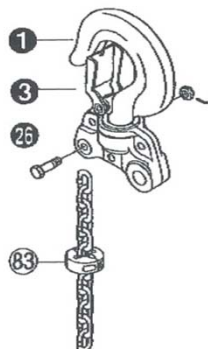
C-21



5t用フック



3t用フック





ราคาอะไหล่รอกโซ่ ดราซัง รุ่น C-21

SPARE PARTS FOR "ELEPHANT" C-21 CHAIN BLOCK			0.5 TON	1.0 TON	1.5 TON	2.0 TON	3.0 TON	5.0 TON
NO.	PART NO.	PART NAME	KT-CODE					
1	100	Top Hook Ass'y	E022-0401	E022-0501	E022-0601	E022-0651	E022-0701	
3	615-617	Safety latch Ass'y		E022-0510			E022-0710	
30	105	Top Hook Pin	E022-0405					
17	600	Bottom hook Ass'y	E022-0402	E022-0502	E022-0602	E022-0652	E022-0702	E022-0802
26	604-607	Chain Stop Bolt Ass'y	E022-0440					
31	200	Gear Side Plate Ass'y						
35	220	Wheel Side Plate Ass'y						
38	206	Hex Nut (Wheel Cover)						
38	213	Hex Nut (Gear Case)						
39	207	Spring Washer (W/C)						
37	214	Spring Washer (G/C)						
43	510	Pawl						
45	514	E Ring						
46	512	Pawl Spring						
50	226	Chain Stop Pin Ass'y		E022-0522				
51	227	Clip						
52	208	Gear Case Ass'y						
56	301	Pinion Shaft		E022-0525				
57	308	Castle Nut						
58	312	R Pin						
59	508	Check Washer						
60	302	Weaher for P, Shaft						
61	303,304	2nd/3rd Gear Set (2pcs/set)						
64	305	Load Gear						
65	401	Load Sheave						
68	405	Chain Guide						
69	433	Chain Guide Pin						
70	406	Chain Stripper						
73	218	Hand Wheel Cover						
74	501	Hand Wheel		E022-0536	E022-0605			E022-0810
75	505	Disc Hub						
76	506	Ratohet Wheel						
77	507	Friction Disc (2pcs/set)	E022-0430	E022-0539			E022-0739	
78	513	Brake Cover						