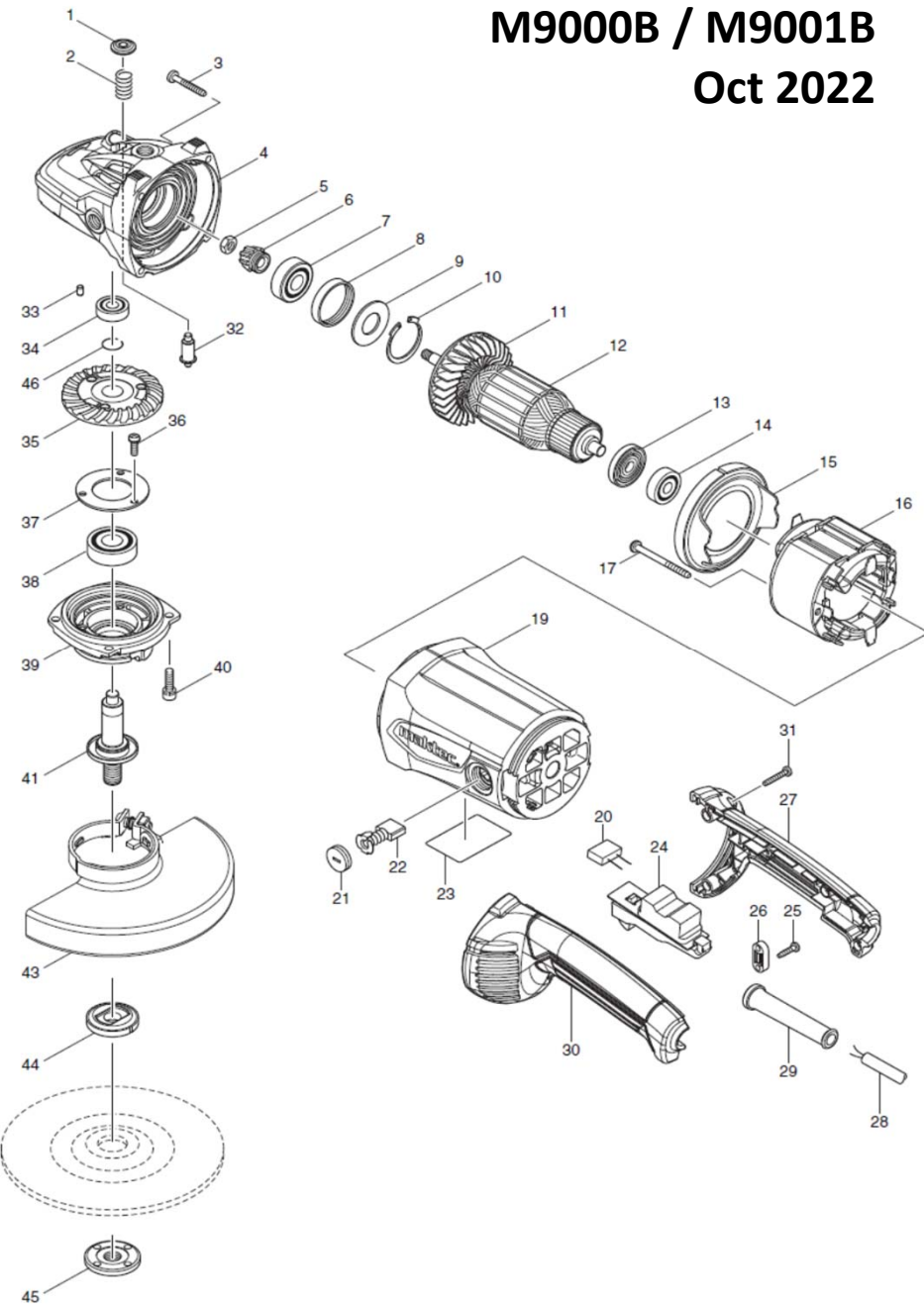


M9000B / M9001B

Oct 2022



M9000B - 7"

NO.	PARTS NO.	DESCRIPTION	ราคาตั้ง (บาท)
1	419133-4	PIN CAP	100
2	233292-8	COMPRESSION SPRING 12	40
3	266373-3	TAPPING SCREW 5X35	70
4	142753-6	GEAR HOUSING COMPLETE	970
5	252194-9	HEX. NUT M8	110
6	227488-1	SPIRAL BEVEL GEAR 16	350
7	210104-2	BALL BEARING 6301DDW	220
8	262085-6	RUBBER RING 38	100
9	267299-2	FLAT WASHER 20	110
10	962211-4	RETAINING RING R-42	150
11	240081-4	FAN 80	250
12	516948-1	ARMATURE ASS'Y 220-240V	
13	681630-2	INSULATION WASHER	150
14	210070-3	BALL BEARING 6200ZZ	180
15	419135-0	BAFFLE PLATE	110
16	596278-6	FIELD ASS'Y 220V	
16	654197-3	RING TERMINAL	80
16	654486-6	PARALLEL SPLICE	
17	266352-1	TAPPING SCREW 5X65	50
19	143252-1	MOTOR HOUSING COMPLETE	1,030
019-1	643564-7	BRUSH HOLDER	240
21	643700-5	BRUSH HOLDER CAP 7-18	110
22	B-80357	CARBON BRUSH SET CB-204A	
23	850W39-9	M9000 NAME PLATE	
24	651184-3	SWITCH HY44C	550
25	266326-2	TAPPING SCREW 4X18	30
26	687140-7	STRAIN RELIEF	40
27	183A94-7	HANDLE SET	590
28	691780-5	POWER SUPPLY CORD 0.75-2-5.0	320
29	682574-9	CORD GUARD 10-90	90
30	183A94-7	HANDLE SET	590
31	266374-1	TAPPING SCREW 4X25	30
32	256491-5	SHOULDER PIN 5	110
33	263002-9	RUBBER PIN 4	30
34	210199-5	BALL BEARING 6000ZZ	
35	227489-9	SPIRAL BEVEL GEAR 53 B	680
36	265120-9	PAN HEAD SCREW M5X16	110
37	285724-1	BEARING RETAINER 50	110
38	211285-5	BALL BEARING 6203DDW	230
39	318617-8	BEARING BOX	390
40	265541-5	HEX. SOCKET HEAD BOLT M6X22	100
41	158209-9	SPINDLE COMPLETE	440
43	122890-2	WHEEL COVER 180K ASS'Y	660
043-1	213017-6	O RING 6	20
043-1	265198-2	+PAN HEAD SCREW M8X25	70
44	224490-5	INNER FLANGE 14-45	180
45	224543-0	LOCK NUT 14-45	260
46	233946-7	RING SPRING 15	70
47	892810-7	CLEAR LABEL	
A01	152539-0	GRIP 36 COMPLETE	320
A02	782034-2	LOCK NUT WRENCH 35	250

M9001B - 9"

NO.	PARTS NO.	DESCRIPTION	ราคาตั้ง (บาท)
1	419133-4	PIN CAP	100
2	233292-8	COMPRESSION SPRING 12	40
3	266373-3	TAPPING SCREW 5X35	70
4	142753-6	GEAR HOUSING COMPLETE	970
5	252194-9	HEX. NUT M8	110
6	227490-4	SPIRAL BEVEL GEAR 12	350
7	210104-2	BALL BEARING 6301DDW	220
8	262085-6	RUBBER RING 38	100
9	267299-2	FLAT WASHER 20	110
10	962211-4	RETAINING RING R-42	150
11	240081-4	FAN 80	250
12	516948-1	ARMATURE ASS'Y 220-240V	
13	681630-2	INSULATION WASHER	150
14	210070-3	BALL BEARING 6200ZZ	180
15	419135-0	BAFFLE PLATE	110
16	596278-6	FIELD ASS'Y 220V	
16	654197-3	RING TERMINAL	80
16	654486-6	PARALLEL SPLICE	
17	266352-1	TAPPING SCREW 5X65	50
19	143252-1	MOTOR HOUSING COMPLETE	1,030
019-1	643564-7	BRUSH HOLDER	240
20	645240-9	NOISE SUPPRESSOR	
21	643700-5	BRUSH HOLDER CAP 7-18	110
22	B-80357	CARBON BRUSH SET CB-204A	
23	850W54-3	M9001 NAME PLATE	
24	651184-3	SWITCH HY44C	550
25	266326-2	TAPPING SCREW 4X18	30
26	687140-7	STRAIN RELIEF	40
27	183A94-7	HANDLE SET	590
28	691780-5	POWER SUPPLY CORD 0.75-2-5.0	320
29	682574-9	CORD GUARD 10-90	90
30	183A94-7	HANDLE SET	590
31	266374-1	TAPPING SCREW 4X25	30
32	256491-5	SHOULDER PIN 5	110
33	263002-9	RUBBER PIN 4	30
34	210199-5	BALL BEARING 6000ZZ	
35	227491-2	SPIRAL BEVEL GEAR 53 A	700
36	265120-9	PAN HEAD SCREW M5X16	110
37	285724-1	BEARING RETAINER 50	110
38	211285-5	BALL BEARING 6203DDW	230
39	318617-8	BEARING BOX	390
40	265541-5	HEX. SOCKET HEAD BOLT M6X22	100
41	158209-9	SPINDLE COMPLETE	440
43	122892-8	WHEEL COVER 230K ASS'Y	810
043-1	213017-6	O RING 6	20
043-1	265198-2	+PAN HEAD SCREW M8X25	70
44	224490-5	INNER FLANGE 14-45	180
45	224543-0	LOCK NUT 14-45	260
46	233946-7	RING SPRING 15	70
47	892810-7	CLEAR LABEL	
A01	152539-0	GRIP 36 COMPLETE	320
A02	782034-2	LOCK NUT WRENCH 35	250