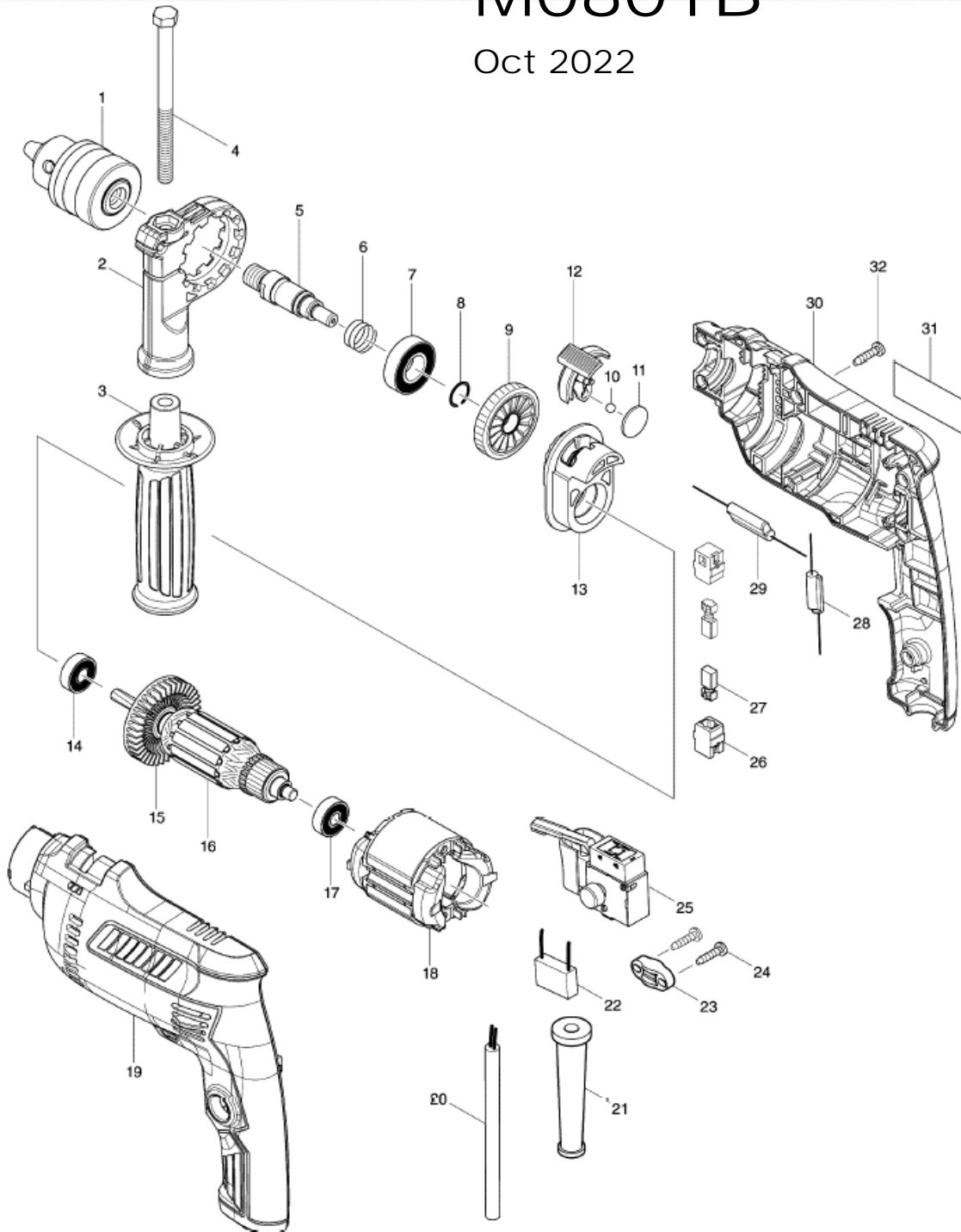


M0801B

Oct 2022



REF NO	PARTS NO	DESCRIPTION	ราคาตั้ง
1	766023-5	DRILL CHUCK S13	400
2	454126-4	GRIP BASE	120
3	142083-5	GRIP 36 COMPLETE	130
4	265495-6	HEX. BOLT M8X110	110
5	326278-0	SPINDLE	190
6	234342-2	COMPRESSION SPRING 16	40
7	211484-9	BALL BEARING 6002LLB	140
8	233925-5	RING SPRING 13	70
9	227764-3	HELICAL GEAR 39	220
10	216038-7	STEEL BALL 5.0	20
11	346676-2	PLATE 19	30
12	454375-3	CHANGE LEVER	60
13	142074-6	CAM HOLDER COMPLETE	390
13	141994-1	CAM COMPLETE	180
14	210044-4	BALL BEARING 608DDW	130
15	240127-6	FAN 52	90
16	515893-7	ARMATURE ASS'Y 220V	
17	210045-2	BALL BEARING 627DDW	120
18	633983-5	FIELD 220V	
19	183M99-9	HOUSING SET	530
19	263002-9	RUBBER PIN 4	30
20	691284-7	POWER SUPPLY CORD 0.75-2-2.0	290
21	682583-8	CORD GUARD	60
23	687124-5	STRAIN RELIEF	70
24	266841-6	TAPPING SCREW 4X18	20
25	650240-6	SWITCH FA2-4/1BEK	490
26	643566-3	BRUSH HOLDER 5X8	30
27	B-80282	CARBON BRUSH SET CB-85A	
30	183M99-9	HOUSING SET	530
30	263002-9	RUBBER PIN 4	30
31	851A94-2	M0801 NAME PLATE	
32	266841-6	TAPPING SCREW 4X18	20
A01	763453-1	CHUCK KEY S13	120
A02	418163-2	KEY HOLDER 10	60