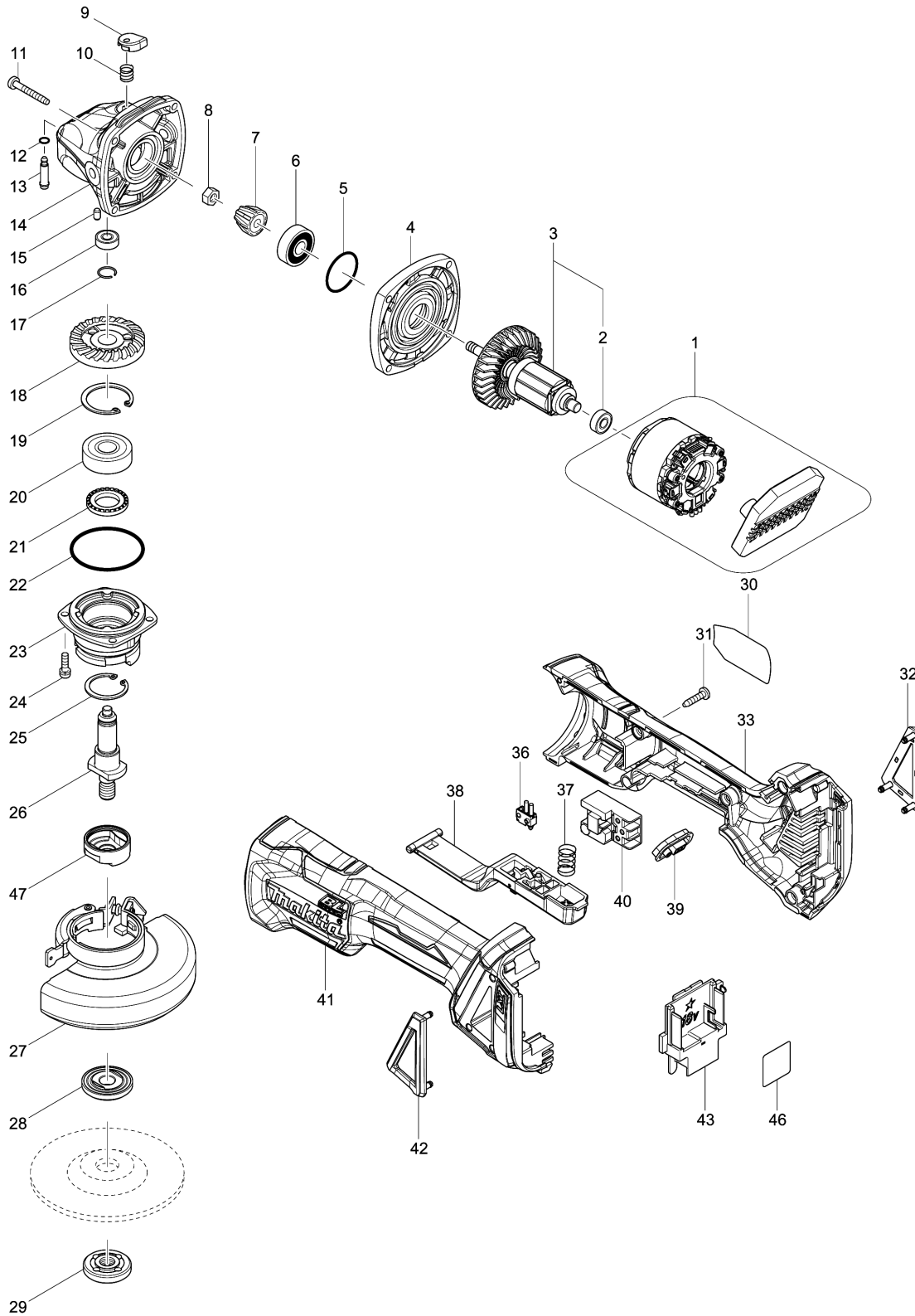


Model No.DGA408 100MM CORDLESS ANGLE GRINDER



Model No.DGA408 100MM CORDLESS ANGLE GRINDER

รายการ	รหัสอะไหล่	รายละเอียด	การ แลกเปลี่ยน	จำนวน	New/Old	ขาย	ซื้อ	ข้อความ
001	629203-3	STATOR COMPLETE		1				
002	211021-9	BALL BEARING 607LLB		1				
003	510300-5	ROTOR ASS'Y		1				
D10		INC. 2						
004	319214-3	GEAR HOUSING COVER		1				
005	213445-5	O-RING 26		1				
006	210042-8	BALL BEARING 629LLB		1				
007	227541-3	SPIRAL BEVEL GEAR 10		1	*			
007-1	226861-2	SPIRAL BEVEL GEAR 10	S	1				
008	252186-8	HEX. NUT M6		1				
009	417771-6	PIN CAP		1				
010	233072-2	COMPRESSION SPRING 8		1				
011	266361-0	TAPPING SCREW 4X30		4				
012	213960-9	O RING 5		1				
013	256546-6	SHOULDER PIN 4		1				
014	319213-5	GEAR HOUSING		1				
015	263002-9	RUBBER PIN 4		1				
016	210006-2	BALL BEARING 696ZZ		1				
017	233950-6	RING SPRING 11		1				
018	227641-9	SPIRAL BEVEL GEAR 37		1	*			
018-1	226862-0	SPIRAL BEVEL GEAR 37	S	1				
019	962151-6	RETAINING RING R-32		1				
020	211129-9	BALL BEARING 6201DDW		1				
021	262153-5	FELT RING 16		1				
022	213622-9	O RING 45		1				
023	319399-5	BEARING BOX		1				
024	911121-2	PAN HEAD SCREW M4X14		4				
025	962105-3	RETAINING RING R-26		1				
026	326669-5	SPINDLE		1				
027	122893-6	TOOLLESS WHEEL COVER 100K ASSY		1				
C10	213009-5	O RING 4		1				
C20	265180-1	PAN HEAD SCREW M5X16		1				
028	224483-2	INNER FLANGE 30		1				
029	224559-5	LOCK NUT 10-30		1				
030	851Y98-8	DGA408 NAME PLATE		1				
031	266326-2	TAPPING SCREW 4X18		5				
032	455450-8	DUST COVER R		1				
033	183A52-3	MOTOR HOUSING SET		1	*			
C10	263005-3	RUBBER PIN 6		2	*			
D10		INC. 41			*			

Please order the parts with part number.

Print Date 16/8/2021

Model No.DGA408 100MM CORDLESS ANGLE GRINDER

รายการ	รหัสอะไหล่	รายละเอียด	การ แลกเปลี่ยน	จำนวน	New/Old	ขาย	ซื้อ	ข้อความ
033-1	183J40-4	MOTOR HOUSING SET	<	1				
C10	263005-3	RUBBER PIN 6		2				
D10		INC. 41						
036	632E12-1	SWITCH UNIT		1				
037	234357-9	COMPRESSION SPRING 11		1				
038	142976-6	SWITCH LEVER COMPLETE		1				
039	142901-7	INDICATOR PANEL COMPLETE		1				
040	650734-1	SWITCH TG73BDS-2		1				
041	183A52-3	MOTOR HOUSING SET		1	*			
C10	263005-3	RUBBER PIN 6		2	*			
D10		INC. 33			*			
041-1	183J40-4	MOTOR HOUSING SET	<	1				
C10	263005-3	RUBBER PIN 6		2				
D10		INC. 33						
042	455449-3	DUST COVER L		1				
043	643899-6	TERMINAL		1				
046	852A04-2	DGA408 SERIAL NO. LABEL		1				
047	310516-0	LEAD FLANGE B		1				
A01	A-80852	GRINDING WHEEL 100X6X16		1				
A02	158237-4	GRIP 36 COMPLETE		1				
A03	782420-7	LOCK NUT WRENCH 20		1				
A04B	***DC18RC	DC18RC FAST CHARGER		1				
D10		COMPO-PARTS						
A04C	***DC18RC	DC18RC FAST CHARGER		1				
D10		COMPO-PARTS						
A04D	***DC18RC	DC18RC FAST CHARGER		1				
D10		COMPO-PARTS						
A05B	196015-4	BATTERY BL1830 SET		2	*			
A05C	197265-4	BATTERY BL1840B SET		2	*			
A05D	197280-8	BATTERY BL1850B SET		2	*			
A05-1B	197600-6	BATTERY BL1830B SET	<	2	*			
A05-1C	197265-4	BATTERY BL1840B SET	O	2				
A05-1D	199282-0	BATTERY BL1850B SET	<	2	*			
A05-2B	199283-8	BATTERY BL1830B SET	<	2	*			
A05-2D	199282-0	BATTERY BL1850B SET	<	2				
A05-3B	199283-8	BATTERY BL1830B SET	<	2				
A06B	450128-8	BATTERY COVER		1				
A06C	450128-8	BATTERY COVER		1				
A06D	450128-8	BATTERY COVER		1				
A07B	821636-0	PLASTIC CASE		1	*			

Please order the parts with part number.

Print Date 16/8/2021

Model No.DGA408 100MM CORDLESS ANGLE GRINDER

รายการ	รหัสอะไหล่	รายละเอียด	การ แลกเปลี่ยน	จำนวน	New/Old	ขาย	ซื้อ	ข้อความ
C10	162315-4	LATCH		2	*			
A07C	821636-0	PLASTIC CASE		1	*			
C10	162315-4	LATCH		2	*			
A07D	821636-0	PLASTIC CASE		1	*			
C10	162315-4	LATCH		2	*			
A07-1B	821734-0	PLASTIC CASE	O	1	*			
C10	162315-4	LATCH		2	*			
A07-1C	821734-0	PLASTIC CASE	O	1	*			
C10	162315-4	LATCH		2	*			
A07-1D	821734-0	PLASTIC CASE	O	1	*			
C10	162315-4	LATCH		2	*			
A07-2B	821817-6	PLASTIC CASE	O	1				
C10	162315-4	LATCH		2				
A07-2C	821817-6	PLASTIC CASE	O	1				
C10	162315-4	LATCH		2				
A07-2D	821817-6	PLASTIC CASE	O	1				
C10	162315-4	LATCH		2				

Please order the parts with part number.

Print Date 16/8/2021