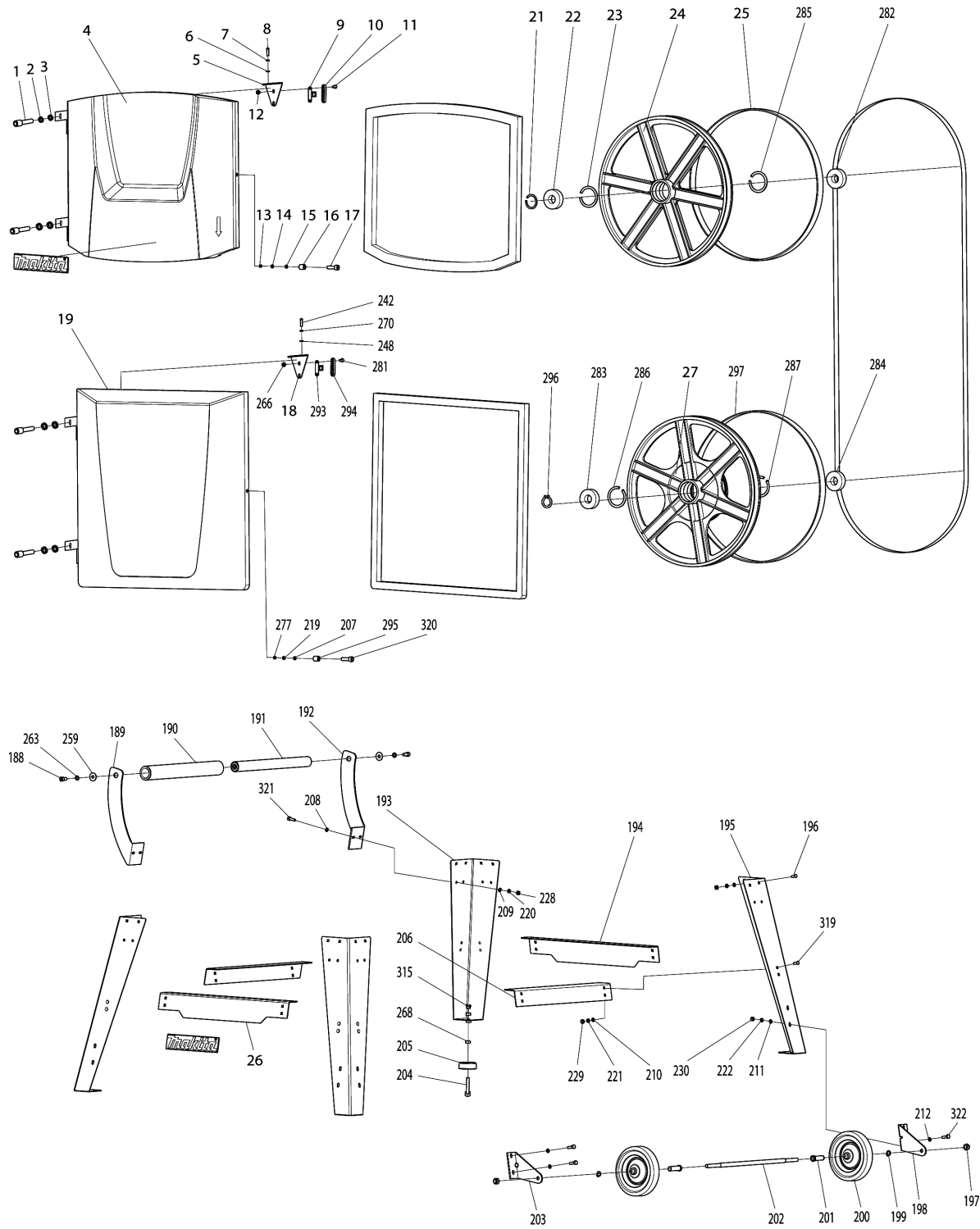
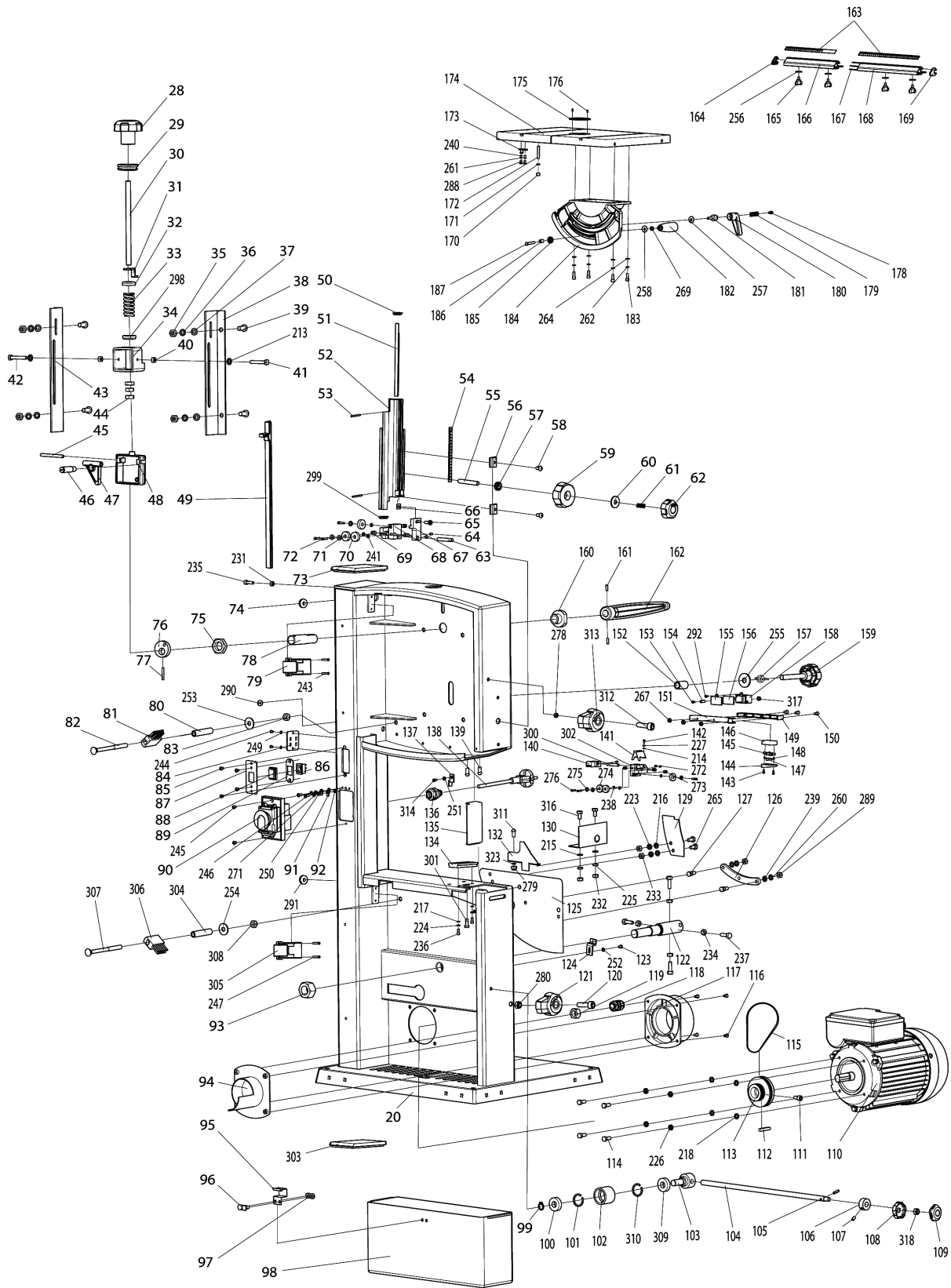


Model No.LB1200F 305MM BAND SAW



Model No.LB1200F 305MM BAND SAW



Model No.LB1200F 305MM BAND SAW

รายการ	รหัสอะไหล่	รายละเอียด	การ แลกเปลี่ยน	จำนวน	New/Old	ขาย	ซื้อ	ข้อความ
001	JM21000018	HEX.SOCKET HEAD BOLT M5X12		4	*			
001-1	JM21000018	HEX.SOCKET HEAD BOLT M5X12	O	2				
002	JM21000019	SPRING WASHER 5		4	*			
002-1	JM21000019	SPRING WASHER 5	O	2				
003	JM21000020	FLAT WASHER 5		4	*			
003-1	JM21000020	FLAT WASHER 5	O	2				
004	JM21000021	UPPER WHEEL COVER COMPLETE		1	*			
C10	JM21000022	UP COVER		1	*			
C20	JM21000023	SPONGE		1	*			
C30	JM21000024	MAKITA LOGO LABEL		1	*			
004-1	JM21000021	UPPER WHEEL COVER COMPLETE	O	1				
D10		INC. 343						
005	JM21000025	UPPER STRIKER BASE PLATE		1	*			
005-1	JM21000025	UPPER STRIKER BASE PLATE	O	1				
006	JM21000026	FLAT WASHER 4		2				
007	JM21000027	SPRING WASHER 4		2				
008	JM21000028	PAN HEAD SCREW M4X10		2	*			
008-1	JM21000028	PAN HEAD SCREW M4X10	O	2				
009	JM21000029	DOOR STRIKER		1	*			
009-1	JM21000029	DOOR STRIKER	O	1				
010	JM21000030	DOOR STRIKER FIX PLATE		1	*			
010-1	JM21000030	DOOR STRIKER FIX PLATE	O	1				
011	JM21000031	CROSS HEAD SUNK SCREW M4X12		2	*			
011-1	JM0000281	FLAT HEAD SCREW M4X10	X	2				
012	JM21000032	HEX NUT M4		2				
013	JM21000033	HEX LOCK NUT M6		1	*			
013-1	JM21000033	HEX LOCK NUT M6	O	1				
014	JM21000034	SPRING WASHER 6		1	*			
015	JM21000035	FLAT WASHER 6		1				
016	JM21000036	SLEEVE 10X6X11		1	*			
016-1	JM21000036	SLEEVE 10X6X11	O	1				
017	JM21000037	HEX SOCKET HEAD BOLT M6X20		1	*			
017-1	JM21000037	HEX SOCKET HEAD BOLT M6X20	O	1				
018	JM21000038	STRIKER BASE PLATE LOWER		1	*			
018-1	JM21000038	STRIKER BASE PLATE LOWER	O	1				
019	JM21000039	LOWER WHEEL COVER		1	*			
C10	JM21000040	LOW COVER		1	*			
C20	JM21000023	SPONGE		1	*			

Please order the parts with part number.

Print Date 14/8/2021

Model No.LB1200F 305MM BAND SAW

รายการ	รหัสอะไหล่	รายละเอียด	การ แลกเปลี่ยน	จำนวน	New/Old	ขาย	ซื้อ	ข้อความ
C30	JM21080006	BAND SPEED TABLE LABEL		1	*			
019-1	JM21000039	LOWER WHEEL COVER	O	1				
020	JM21000041	MACHINE BODY COMPLETE		1	*			
C10	JM21000042	MACHINE BODY COMPLETE		1	*			
C20	JM21080001	BAND TENSION LEVER LABEL		1	*			
C30	JM21080002	BAND TENSION ADJUST LABEL		1	*			
C40	JM21080003	BAND WHEEL CAMBER ADJUST LABEL		1	*			
C50	JM21080004	BELT ADJUST OPERATION LABEL		1	*			
C60	JM21080005	TABLE ANGLE ADJUST LABEL		1	*			
C70	JM21080007	GUIDE HEIGHT ADJUST LABEL		1	*			
C80	JM21080032	NAMEPLATE,AFTER SALES SERVICE		1	*			
020-1	JM21000042	MACHINE BODY COMPLETE	>	1				
021	JM21000043	RETAINING RING S-17		1	*			
021-1	JM21000043	RETAINING RING S-17	O	1				
022	JM21000044	BALL BEARING 6203		1				
023	JM21000045	RETAINING RING R-40		1	*			
023-1	JM21000045	RETAINING RING R-40	O	1				
024	JM21000046	UPPER BAND SAW WHEEL		1				
025	JM21000047	BAND SAW TIRE		1				
026	JM21000048	BEAM A COMPLETE		2	*			
C10	JM21000049	BEAM A		1	*			
C20	JM21000024	MAKITA LOGO LABEL		1	*			
026-1	JM21000048	BEAM A COMPLETE	O	1				
D10		INC. 385						
027	JM21000050	LOWER BAND SAW WHEEL		1				
028	JM21000051	TENSION KNOB		1				
029	JM21000052	SEALING RING		1				
030	JM21000053	TENSION THREAD ROD		1				
031	JM21000054	TENSION POINTER		1				
032	JM21000055	SPRING BASE		1				
033	JM21000056	COMPRESSION SPRING		1	*			
033-1	JM21000056	COMPRESSION SPRING	O	1				
034	JM21000057	FIX BRACKET		1				
035	JM21000058	HEX NUT M8		4				
036	JM21000059	SPRING WASHER 8		4				
037	JM21000060	FLAT WASHER 8		4				
038	JM21000061	FIX SIDE PLATE A		1				
039	JM21000062	H SOCKET PAN HEAD BOLT M8X16		4	*			

Please order the parts with part number.

Print Date 14/8/2021

Model No.LB1200F 305MM BAND SAW

รายการ	รหัสอะไหล่	รายละเอียด	การ แลกเปลี่ยน	จำนวน	New/Old	ขาย	ซื้อ	ข้อความ
039-1	JM21000062	H SOCKET PAN HEAD BOLT M8X16	O	4				
040	JM21000063	HEX NUT M6		2	*			
040-1	JM21000063	HEX NUT M6	O	1				
041	JM21000064	HEX BOLT M6X35		1				
042	JM21000065	HEX BOLT M6X25		1				
043	JM21000066	FIX SIDE PLATE B		1				
044	JM21000067	THIN HEX NUT M10		3	*			
044-1	JM21000067	THIN HEX NUT M10	O	1				
045	JM21000068	COLUMN PIN D		1				
046	JM21000069	UPPER BAND SAW WHEEL AXLE		1				
047	JM21000070	UPPER WHEEL AXLE BRACKET		1				
048	JM21000071	UPPER WHEEL AXLE BRACKET CASE		1	*			
048-1	JM21000071	UPPER WHEEL AXLE BRACKET CASE	O	1				
049	JM21000072	GROOVE COVER		1	*			
049-1	JM21000072	GROOVE COVER	O	1				
050	JM21000073	BLADE GUIDE SLIDER END COVER		1				
051	JM21000074	RACK		1	*			
051-1	JM21000237	RACK	S	1				
052	JM21000075	LIFTING BRACKET		1	*			
052-1	JM21000238	LIFTING BRACKET	S	1	*			
052-2	JM21010002	LIFTING BRACKET ASSEMBLY	X	1				
D10		INC. 54,327						
053	JM21000076	ELASTIC PIN 4		2	*			
054	JM21000077	BLADE GUIDE HEIGHT SCALE LABEL		1				
055	JM21000078	BLADE GUIDE LIFTING GEAR AXLE		1	*			
055-1	JM21000078	BLADE GUIDE LIFTING GEAR AXLE	O	1				
056	JM21000079	SLIDER BLOCK		2				
057	JM21000080	SPUR GEAR 15		1	*			
057-1	JM21000080	SPUR GEAR 15	O	1				
058	JM21000081	H SOCKET PAN HEAD SCREW M6X12		2	*			
058-1	JM21000081	H SOCKET PAN HEAD SCREW M6X12	O	2				
059	JM21000082	LIFTING KNOB		1	*			
059-1	JM21000239	BLADE GUIDE HEIGHT ADJUST KNOB	<	1				
060	JM21000083	FLAT WASHER 8L		1	*			
060-1	JM21000083	FLAT WASHER 8L	O	1				
061	JM21000084	SPRING		1				

Please order the parts with part number.

Print Date 14/8/2021

Model No.LB1200F 305MM BAND SAW

รายการ	รหัสอะไหล่	รายละเอียด	การ แลกเปลี่ยน	จำนวน	New/Old	ขาย	ซื้อ	ข้อความ
062	JM21000085	KNOB NUT M8		1	*			
062-1	JM21000085	KNOB NUT M8	O	1				
063	JM21000086	COLUMN PIN 10X62		1	*			
063-1	JM21000086	COLUMN PIN 10X62	O	1				
064	JM21000087	HEX SOCKET SET SCREW M6X8		3	*			
064-1	JM21000087	HEX SOCKET SET SCREW M6X8	O	1				
065	JM21000088	HEX SOCKET HEAD BOLT M8X25		1	*			
065-1	JM21000088	HEX SOCKET HEAD BOLT M8X25	O	1				
066	JM21000089	SQUARE NUT M8		1	*			
066-1	JM21000089	SQUARE NUT M8	O	1				
067	JM21000090	FIX BRACKET B		1	*			
067-1	JM00000001	FIX BRACKET B	O	1				
068	JM21000091	BLADE GUIDE BLOCK		1	*			
068-1	JM21000091	BLADE GUIDE BLOCK	O	1				
069	JM21000092	COLUMN PIN 10X15		3	*			
069-1	JM21000092	COLUMN PIN 10X15	O	2				
070	JM21000093	BALL BEARING 6200		3	*			
070-1	JM21000093	BALL BEARING 6200	O	2				
071	JM21000094	FLANGED SLEEVE 15-10X5X7		3	*			
071-1	JM21000094	FLANGED SLEEVE 15-10X5X7	O	2				
072	JM21000095	HEX SOCKET HEAD BOLT M5X20		3	*			
072-1	JM21000095	HEX SOCKET HEAD BOLT M5X20	O	2				
073	JM21000096	COVER		1				
074	JM21000097	GROMMET		1	*			
074-1	JM21000097	GROMMET	O	1				
075	JM21000098	HEX THIN NUT M20		1				
076	JM21000099	ECCENTRIC WHEEL 32		1				
077	JM21000100	SPRING PIN 4X30		1	*			
077-1	JM21000100	SPRING PIN 4X30	O	1				
078	JM21000101	SHAFT FOR ECCENTRIC WHEEL		1				
079	JM21000102	DOOR STRIKER CATCHER SWITCH		1	*			
079-1	JM21000102	DOOR STRIKER CATCHER SWITCH	O	1				
080	JM21000103	SLEEVE 12X8X52.5		1	*			
080-1	JM21000103	SLEEVE 12X8X52.5	O	1				
081	JM21000104	BRUSH		1				
082	JM21000105	SQUARE NECK BOLT M8X93		1	*			
082-1	JM21000105	SQUARE NECK BOLT M8X93	O	1				

Please order the parts with part number.

Print Date 14/8/2021

Model No.LB1200F 305MM BAND SAW

รายการ	รหัสอะไหล่	รายละเอียด	การ แลกเปลี่ยน	จำนวน	New/Old	ขาย	ซื้อ	ข้อความ
083	JM21000106	HEX LOCK NUT M8		1	*			
083-1	JM21000106	HEX LOCK NUT M8	O	1				
084	JM21000107	ACCESSORY STORAGE PLATE		1				
085	JM21000108	PAN HEAD SCREW M4X10		4	*			
085-1	JM21000108	PAN HEAD SCREW M4X10	O	2				
086	JM21000109	HY17 SWITCH		1				
087	JM21000110	LED SWITCH FIX PLATE		1				
088	JM21000111	HY17 SWITCH SHIELD		1				
089	JM21000112	SWITCH MOUNTING PLATE		1				
090	JM21000004	SWITCH		1	*			
091	JM21000221	EARTHING TERMINAL 4		2	*			
092	JM21000113	EXTERNAL TOOTH LOCK WASHER 4		2	*			
093	JM21000114	HEX NUT M20		1				
094	JM21000115	SMALL DUST COLLECTOR		1	*			
094-1	JM21000115	SMALL DUST COLLECTOR	O	1				
095	JM21000116	PLATE SPRING		1				
096	JM21000117	HEX BOLT M5X12		2				
097	JM21000118	HEX LOCK NUT M5		2	*			
097-1	JM21000118	HEX LOCK NUT M5	O	2				
098	JM21000119	DUST BOX		1				
099	JM21000120	RETAINING RING S-12		1	*			
099-1	JM21000120	RETAINING RING S-12	O	1				
100	JM21000121	BALL BEARING 6001		1				
101	JM21000122	RETAINING RING R-28		1	*			
101-1	JM21000122	RETAINING RING R-28	O	1				
102	JM21000123	BELT TENSIONER WHEEL		1				
103	JM21000124	BELT TENSIONER WHEEL AXLE		1				
104	JM21000125	THREAD ROD M10 M8 L=365MM		1	*			
104-1	JM21000125	THREAD ROD M10 M8 L=365MM	O	1				
105	JM21000126	SPRING PIN 4X16		1	*			
105-1	JM21000126	SPRING PIN 4X16	O	1				
106	JM21000127	LIMIT CIRCLE		1				
107	JM21000128	HEX SOCKET SET SCREWS M5X8		1				
108	JM21000129	BELT TENSIONER ADJUSTING KNOB		1				
109	JM21000130	TENSIONER ADJUSTING KNOB CAP		1				
110	JM21000001	MOTOR		1	*			
C10	JM21000228	TERMINAL BOX		1	*			
C20	JM21000244	CAPACITOR HIGH VOLT		1	*			

Please order the parts with part number.

Print Date 14/8/2021

Model No.LB1200F 305MM BAND SAW

รายการ	รหัสอะไหล่	รายละเอียด	การ แลกเปลี่ยน	จำนวน	New/Old	ขาย	ซื้อ	ข้อความ
110-1	JM21000245	MOTOR ASSY 220-240V 50HZ	<	1	*			
C10	JM21000228	TERMINAL BOX		1	*			
C20	JM21000248	CAPACITOR 22 MICRO F	<	1	*			
110-2	JM21000245	MOTOR ASSY 220-240V 50HZ	O	1	*			
110-3	JM00000390	MOTOR ASSY 220-240V 50HZ	O	1				
111	JM21000131	HEX SOCKET HEAD BOLT M6X12		1	*			
111-1	JM21000131	HEX SOCKET HEAD BOLT M6X12	O	1				
112	JM21000132	KEY 5X5X28		1	*			
112-1	JM21000132	KEY 5X5X28	O	1				
113	JM21000133	MOTOR PULLEY		1				
114	JM21000134	HEX BOLT M6X12		4				
115	JM21000135	RIBBED BELT 4PJ612		1	*			
115-1	JM21000135	RIBBED BELT 4PJ612	O	1				
116	JM21000136	TAPPING SCREW ST4.2X14		4				
117	JM21000137	OUTSIDE DUST CONNECTOR PORT		1				
118	JM21000138	CORD CLAMP PAW		1				
119	JM21000139	CORD CLAMP NUT M16		1	*			
119-1	JM21000139	CORD CLAMP NUT M16	O	1				
120	JM21000140	H.S. HEAD SCREW M6X25		1	*			
120-1	JM21000234	HEX SOCKET HEAD BOLT M6X35	S	1	*			
120-2	JM21000140	H.S. HEAD SCREW M6X25	X	1	*			
120-3	JM00000347	HEX SOCKET HEAD BOLT M6X20	X	1				
121	JM21000141	DOOR LATCH KNOB		1	*			
121-1	JM21000231	DOOR LATCH KNOB	S	1	*			
121-2	JM21000141	DOOR LATCH KNOB	X	1	*			
121-3	JM21000141	DOOR LATCH KNOB	O	1				
122	JM21000142	DRIVING WHEEL SHAFT		1				
123	JM21000143	PAN HEAD SCREW M4X8		1	*			
123-1	JM21000143	PAN HEAD SCREW M4X8	O	1				
124	JM21000144	MITER POINTER		1				
125	JM21000145	SPACER PLATE		1				
126	JM21000146	SLIDER		1				
127	JM21000147	HEX SOCKET STEPPED BOLT M5X7		2	*			
127-1	JM21000147	HEX SOCKET STEPPED BOLT M5X7	O	2				
129	JM21000148	DUST PROTECTOR PLATE		1				
130	JM21000149	PROTECTOR PLATE		1				
132	JM21000150	LOW COVER B		1				

Please order the parts with part number.

Print Date 14/8/2021

Model No.LB1200F 305MM BAND SAW

รายการ	รหัสอะไหล่	รายละเอียด	การ แลกเปลี่ยน	จำนวน	New/Old	ขาย	ซื้อ	ข้อความ
134	JM21000151	GUIDE BLOCK MOUNT FIX PLATE		1				
135	JM21000152	PROTECTOR PLATE A		1				
136	JM21000153	STRAIN & RELIEF,HV		1	*			
136-1	JM21000153	STRAIN & RELIEF,HV	O	1				
137	JM21000154	BLADE GUIDE HEIGHT PONTER		1				
138	JM21000006	POWER SUPPLY CORD IR 3P		1	*			
138-1	JM00000004	POWER SUPPLY CORD 3P	X	1				
139	JM21000155	TAPPING SCREW ST4.2X8		2	*			
139-1	JM00000336	TAPPING SCREW ST4.2X8	X	2				
140	JM21000156	BLADE GUIDE BLOCK MOUNT		1				
141	JM21000157	BAND GUIDE GUARD REAR		1	*			
141-1	JM21000157	BAND GUIDE GUARD REAR	O	1				
142	JM21000158	CROSS HEAD SUNK SCREW M6X10		1	*			
142-1	JM27000042	PAN HEAD SCREW M5X10	X	1				
143	JM21000159	TAPPING SCREW ST3.2X8		2	*			
143-1	JM00000335	TAPPING SCREW ST2.2X11.5	X	2				
144	JM21000160	LOWER LAMP COVER		1				
145	JM21000161	LAMP REFLECTOR		1				
146	JM21000162	UPPER LAMP COVER		1	*			
146-1	JM21000229	LED LAMP ASSEMBLY,HV	X	1	*			
146-2	JM21000162	UPPER LAMP COVER	X	1				
147	JM21000163	LED LAMP LENS		1				
148	JM21000164	SELF TAPPING SCREW ST2.2X8		2	*			
148-1	JM00000334	TAPPING SCREW ST2.9X9.5	X	2				
149	JM21000165	LED LAMP CORD PROTECTOR REAR		1	*			
149-1	JM21000165	LED LAMP CORD PROTECTOR REAR	O	1				
150	JM21000166	HEX SOCKET PAN HEAD BOLT M4X20		3				
151	JM21000167	LED LAMP CORD PROTECTOR FRONT		1	*			
151-1	JM21000167	LED LAMP CORD PROTECTOR FRONT	O	1				
152	JM21000168	SLEEVE 12.5X9X21.5		1	*			
152-1	JM21000168	SLEEVE 12.5X9X21.5	O	1				
153	JM21000169	H.S.HEAD SCREW M4X32		1	*			
153-1	JM21000169	H.S.HEAD SCREW M4X32	O	1				
154	JM21000170	SLEEVE 8X4X21		1	*			
154-1	JM21000170	SLEEVE 8X4X21	O	1				
155	JM21000171	TRANSFORMER CASE		1	*			
155-1	JM21000174	TRNASFORMER CASE LID	X	1				

Please order the parts with part number.

Print Date 14/8/2021

Model No.LB1200F 305MM BAND SAW

รายการ	รหัสอะไหล่	รายละเอียด	การ แลกเปลี่ยน	จำนวน	New/Old	ขาย	ซื้อ	ข้อความ
156	JM21000172	TRANSFORMER FOR LED LAMP(HV)		1	*			
156-1	JM21000172	TRANSFORMER FOR LED LAMP(HV)		1				
157	JM21000173	WING NUT M8		1				
158	JM21000174	TRNASFORMER CASE LID		1	*			
158-1	JM21000171	TRANSFORMER CASE	X	1				
159	JM21000175	KNOB BOLT M8X60		1	*			
159-1	JM21000175	KNOB BOLT M8X60	O	1				
160	JM21000176	BAND TENSION LEVER SUPPORT		1				
161	JM21000177	H.S. SET SCREWS M6X10		2	*			
161-1	JM00000287	HEX SOCKET SET SCREW M6X8	X	2				
162	JM21000178	BAND TENSION LEVER		1				
163	JM21000179	TABLE FRONT RAIL LABEL SET		1	*			
163-1	JM21000179	TABLE FRONT RAIL LABEL SET	O	1				
D10		INC. 498						
164	JM21000180	TABLE FRONT RAIL END CAP LEFT		1				
165	JM21000181	WING BOLT M6X12		4	*			
165-1	JM21000181	WING BOLT M6X12	O	4				
166	JM21000182	FRONT RAIL A		1	*			
166-1	JM00000344	FRONT RAIL LEFT	X	1				
D10		INC. 163						
167	JM21000183	CONNECTION PIN		3				
168	JM21000184	FRONT RAIL B		1	*			
168-1	JM00000345	FRONT RAIL RIGHT	X	1				
D10		INC. 498						
169	JM21000185	TABLE FRONT RAIL END CAP RIGHT		1				
170	JM21000186	RUBBER FOOT 8		1				
171	JM21000187	RUBBER SLEEVE 7.5X11X13		1				
172	JM21000188	HEX SOCKET THREAD ROD M8X50		1	*			
172-1	JM21000188	HEX SOCKET THREAD ROD M8X50	O	1				
173	JM21000189	STOPPER PLATE		1				
174	JM21000190	WORKING TABLE		1				
175	JM21000191	TABLE INSERT		1				
176	JM21000192	FLAT HEAD SCREW M3X6		2	*			
176-1	JM21000192	FLAT HEAD SCREW M3X6	O	2				
178	JM21000193	HEX.SOCKET HEAD BOLT M6X30		1	*			
178-1	JM21000193	HEX.SOCKET HEAD BOLT M6X30	O	1				

Please order the parts with part number.

Print Date 14/8/2021

Model No.LB1200F 305MM BAND SAW

รายการ	รหัสอะไหล่	รายละเอียด	การ แลกเปลี่ยน	จำนวน	New/Old	ขาย	ซื้อ	ข้อความ
179	JM21000194	COMPRESSURE SPRING		1				
180	JM21000195	TABLE FIXING LEVER		1				
181	JM21000196	SPECIAL HEX BOLT M8X40		1	*			
181-1	JM21000196	SPECIAL HEX BOLT M8X40	O	1				
182	JM21000197	GRIP NUT M8		1	*			
182-1	JM21000197	GRIP NUT M8	O	1				
183	JM21000198	HEX SOCKET BOLT M8X20		4	*			
183-1	JM21000198	HEX SOCKET BOLT M8X20	O	4				
184	JM21000199	WORKING TABLE TURNION		1	*			
184-1	JM00000270	WORKING TABLE COMPLETE	<	1				
D10		INC. 381						
185	JM21000200	SPUR GEAR 10		1	*			
185-1	JM21000200	SPUR GEAR 10	O	1				
186	JM21000201	SLEEVE 12X8X6		1	*			
186-1	JM21000201	SLEEVE 12X8X6	O	1				
187	JM21000202	SPECIAL BOLT M8X48		1	*			
187-1	JM21000202	SPECIAL BOLT M8X48	O	1				
188	JM21000203	H.S.BOLT M8		2	*			
188-1	JM00000368	HEX SOCKET HEAD BOLT M8X20	X	2				
189	JM21000204	HANDLE SUPPORT LEFT		1	*			
189-1	JM21000204	HANDLE SUPPORT LEFT	O	1				
190	JM21000205	HOSE		1				
191	JM21000206	STEEL PIPE ASSEMBLY		1				
192	JM21000207	HANDLE SUPPORT RIGHT		1	*			
192-1	JM21000207	HANDLE SUPPORT RIGHT	O	1				
193	JM21000208	LEG A		1				
194	JM21000049	BEAM A		2	*			
194-1	JM21000049	BEAM A	O	1				
195	JM21000209	LEG B		3	*			
195-1	JM21000209	LEG B	O	1				
196	JM21000210	SQUARE NECK BOLT M6X16		16	*			
196-1	JM21000210	SQUARE NECK BOLT M6X16	O	8				
197	JM21000211	HEX LOCK NUT M10		2	*			
197-1	JM21000211	HEX LOCK NUT M10	O	2				
198	JM21000212	WHEEL SUPPORT LEFT		1				
199	JM21000213	RETAINING RING S-13		2	*			
199-1	JM21000213	RETAINING RING S-13	O	2				
200	JM21000214	WHEEL		2				
201	JM21000215	WHEEL SHAFT BUSH		2				
202	JM21000216	WHEEL SHAFT		1				

Please order the parts with part number.

Print Date 14/8/2021

Model No.LB1200F 305MM BAND SAW

รายการ	รหัสอะไหล่	รายละเอียด	การ แลกเปลี่ยน	จำนวน	New/Old	ขาย	ซื้อ	ข้อความ
203	JM21000217	WHEEL SUPPORT RIGHT		1				
204	JM21000218	HEX BOLT M8X50		1				
205	JM21000219	LEG PAD		1				
206	JM21000220	BEAM B		2	*			
206-1	JM21000220	BEAM B	O	1				
207	JM21000035	FLAT WASHER 6		1				
208	JM21000035	FLAT WASHER 6		2	*			
208-1	JM21000035	FLAT WASHER 6	O	4				
209	JM21000035	FLAT WASHER 6		4				
210	JM21000035	FLAT WASHER 6		32	*			
210-1	JM21000035	FLAT WASHER 6	O	8				
211	JM21000035	FLAT WASHER 6		4				
212	JM21000035	FLAT WASHER 6		4				
213	JM21000035	FLAT WASHER 6		2	*			
213-1	JM00000327	FLAT WASHER 6 (L)	X	1				
214	JM21000035	FLAT WASHER 6		1	*			
214-1	JM21000020	FLAT WASHER 5	X	1				
215	JM21000035	FLAT WASHER 6		2				
216	JM21000035	FLAT WASHER 6		2				
217	JM21000035	FLAT WASHER 6		2	*			
217-1	JM21000020	FLAT WASHER 5	X	2				
218	JM21000035	FLAT WASHER 6		4				
219	JM21000034	SPRING WASHER 6		1	*			
220	JM21000034	SPRING WASHER 6		4				
221	JM21000034	SPRING WASHER 6		32	*			
221-1	JM21000034	SPRING WASHER 6	O	8				
222	JM21000034	SPRING WASHER 6		4				
223	JM21000034	SPRING WASHER 6		2				
224	JM21000034	SPRING WASHER 6		2	*			
224-1	JM21000019	SPRING WASHER 5	X	2				
225	JM21000034	SPRING WASHER 6		4	*			
225-1	JM21000034	SPRING WASHER 6	O	2				
226	JM21000034	SPRING WASHER 6		4				
227	JM21000034	SPRING WASHER 6		1	*			
227-1	JM21000019	SPRING WASHER 5	X	1				
228	JM21000063	HEX NUT M6		4				
229	JM21000063	HEX NUT M6		32	*			
229-1	JM21000063	HEX NUT M6	O	8				
230	JM21000063	HEX NUT M6		4				
231	JM21000063	HEX NUT M6		1				

Please order the parts with part number.

Print Date 14/8/2021

Model No.LB1200F 305MM BAND SAW

รายการ	รหัสอะไหล่	รายละเอียด	การ แลกเปลี่ยน	จำนวน	New/Old	ขาย	ซื้อ	ข้อความ
232	JM21000063	HEX NUT M6		2				
233	JM21000063	HEX NUT M6		2				
234	JM21000063	HEX NUT M6		4	*			
234-1	JM21000063	HEX NUT M6	O	2				
235	JM21000037	HEX SOCKET HEAD BOLT M6X20		1	*			
235-1	JM21000037	HEX SOCKET HEAD BOLT M6X20	O	1				
236	JM21000037	HEX SOCKET HEAD BOLT M6X20		2	*			
236-1	JM00000338	HEX SOCKET HEAD BOLT M5X10	X	2				
237	JM21000037	HEX SOCKET HEAD BOLT M6X20		4	*			
237-1	JM21000037	HEX SOCKET HEAD BOLT M6X20	O	2				
238	JM21000020	FLAT WASHER 5		3	*			
238-1	JM21000020	FLAT WASHER 5	O	2				
239	JM21000020	FLAT WASHER 5		2	*			
240	JM21000020	FLAT WASHER 5		2				
241	JM21000020	FLAT WASHER 5		3	*			
241-1	JM21000020	FLAT WASHER 5	O	2				
242	JM21000028	PAN HEAD SCREW M4X10		2	*			
242-1	JM21000028	PAN HEAD SCREW M4X10	O	2				
243	JM21000028	PAN HEAD SCREW M4X10		2	*			
243-1	JM21000028	PAN HEAD SCREW M4X10	O	2				
244	JM21000028	PAN HEAD SCREW M4X10		2	*			
244-1	JM21000028	PAN HEAD SCREW M4X10	O	2				
245	JM21000028	PAN HEAD SCREW M4X10		2	*			
246	JM21000028	PAN HEAD SCREW M4X10		2	*			
247	JM21000028	PAN HEAD SCREW M4X10		2	*			
247-1	JM21000028	PAN HEAD SCREW M4X10	O	2				
248	JM21000026	FLAT WASHER 4		2				
249	JM21000026	FLAT WASHER 4		2				
250	JM21000026	FLAT WASHER 4		2	*			
251	JM21000026	FLAT WASHER 4		1				
252	JM21000026	FLAT WASHER 4		1				
253	JM21000083	FLAT WASHER 8L		1	*			
253-1	JM21000083	FLAT WASHER 8L	O	1				
254	JM21000083	FLAT WASHER 8L		1	*			
254-1	JM21000083	FLAT WASHER 8L	O	1				
255	JM21000083	FLAT WASHER 8L		1	*			
255-1	JM21000083	FLAT WASHER 8L	O	1				
256	JM21000083	FLAT WASHER 8L		1	*			

Please order the parts with part number.

Print Date 14/8/2021

Model No.LB1200F 305MM BAND SAW

รายการ	รหัสอะไหล่	รายละเอียด	การ แลกเปลี่ยน	จำนวน	New/Old	ขาย	ซื้อ	ข้อความ
256-1	JM21000083	FLAT WASHER 8L	O	4				
257	JM21000083	FLAT WASHER 8L		1	*			
257-1	JM21000083	FLAT WASHER 8L	O	1				
258	JM21000083	FLAT WASHER 8L		1	*			
258-1	JM21000083	FLAT WASHER 8L	O	1				
259	JM21000083	FLAT WASHER 8L		2	*			
259-1	JM21000083	FLAT WASHER 8L	O	2				
260	JM21000019	SPRING WASHER 5		2				
261	JM21000019	SPRING WASHER 5		2				
262	JM21000059	SPRING WASHER 8		4				
263	JM21000059	SPRING WASHER 8		2				
264	JM21000060	FLAT WASHER 8		4				
265	JM21000134	HEX BOLT M6X12		2	*			
265-1	JM00000288	HEX BOLT M6X14	X	2				
266	JM21000032	HEX NUT M4		2				
267	JM21000032	HEX NUT M4		3				
268	JM21000058	HEX NUT M8		2	*			
268-1	JM21000058	HEX NUT M8	O	1				
269	JM21000058	HEX NUT M8		1				
270	JM21000027	SPRING WASHER 4		2				
271	JM21000027	SPRING WASHER 4		2	*			
272	JM21000087	HEX SOCKET SET SCREW M6X8		3	*			
272-1	JM21000087	HEX SOCKET SET SCREW M6X8	O	1				
273	JM21000092	COLUMN PIN 10X15		3	*			
273-1	JM21000092	COLUMN PIN 10X15	O	1				
274	JM21000093	BALL BEARING 6200		3	*			
274-1	JM21000093	BALL BEARING 6200	O	2				
275	JM21000094	FLANGED SLEEVE 15-10X5X7		3	*			
275-1	JM21000094	FLANGED SLEEVE 15-10X5X7	O	2				
276	JM21000095	HEX SOCKET HEAD BOLT M5X20		3	*			
276-1	JM21000095	HEX SOCKET HEAD BOLT M5X20	O	2				
277	JM21000033	HEX LOCK NUT M6		1	*			
277-1	JM21000033	HEX LOCK NUT M6	O	1				
278	JM21000033	HEX LOCK NUT M6		1	*			
278-1	JM21000033	HEX LOCK NUT M6	S	2	*			
278-2	JM21000033	HEX LOCK NUT M6	X	1	*			
278-3	JM21000033	HEX LOCK NUT M6	O	1				
279	JM21000033	HEX LOCK NUT M6		1	*			
279-1	JM21000033	HEX LOCK NUT M6	O	1				

Please order the parts with part number.

Print Date 14/8/2021

Model No.LB1200F 305MM BAND SAW

รายการ	รหัสอะไหล่	รายละเอียด	การ แลกเปลี่ยน	จำนวน	New/Old	ขาย	ซื้อ	ข้อความ
280	JM21000033	HEX LOCK NUT M6		1	*			
280-1	JM21000033	HEX LOCK NUT M6	S	2	*			
280-2	JM21000033	HEX LOCK NUT M6	X	1	*			
280-3	JM21000033	HEX LOCK NUT M6	O	1				
281	JM21000031	CROSS HEAD SUNK SCREW M4X12		2	*			
281-1	JM00000281	FLAT HEAD SCREW M4X10	X	2				
282	JM21000044	BALL BEARING 6203		1				
283	JM21000044	BALL BEARING 6203		1				
284	JM21000044	BALL BEARING 6203		1				
285	JM21000045	RETAINING RING R-40		1	*			
285-1	JM21000045	RETAINING RING R-40	O	1				
286	JM21000045	RETAINING RING R-40		1	*			
286-1	JM21000045	RETAINING RING R-40	O	1				
287	JM21000045	RETAINING RING R-40		1	*			
287-1	JM21000045	RETAINING RING R-40	O	1				
288	JM21000117	HEX BOLT M5X12		2				
289	JM21000118	HEX LOCK NUT M5		2	*			
289-1	JM21000118	HEX LOCK NUT M5	O	2				
290	JM21000097	GROMMET		1	*			
290-1	JM21000097	GROMMET	O	1				
291	JM21000097	GROMMET		1	*			
291-1	JM21000097	GROMMET	O	1				
292	JM21000159	TAPPING SCREW ST3.2X8		1	*			
292-1	JM00000331	TAPPING SCREW PT3.9X9.5	X	1				
293	JM21000029	DOOR STRIKER		1	*			
293-1	JM21000029	DOOR STRIKER	O	1				
294	JM21000030	DOOR STRIKER FIX PLATE		1	*			
294-1	JM21000030	DOOR STRIKER FIX PLATE	O	1				
295	JM21000036	SLEEVE 10X6X11		1	*			
295-1	JM21000036	SLEEVE 10X6X11	O	1				
296	JM21000043	RETAINING RING S-17		1	*			
296-1	JM21000043	RETAINING RING S-17	O	1				
297	JM21000047	BAND SAW TIRE		1				
298	JM21000055	SPRING BASE		1				
299	JM21000073	BLADE GUIDE SLIDER END COVER		1	*			
300	JM21000086	COLUMN PIN 10X62		1	*			
300-1	JM21000086	COLUMN PIN 10X62	O	1				
301	JM21000088	HEX SOCKET HEAD BOLT M8X25		1	*			
301-1	JM21000088	HEX SOCKET HEAD BOLT M8X25	O	1				

Please order the parts with part number.

Print Date 14/8/2021

Model No.LB1200F 305MM BAND SAW

รายการ	รหัสอะไหล่	รายละเอียด	การ แลกเปลี่ยน	จำนวน	New/Old	ขาย	ซื้อ	ข้อความ
302	JM21000091	BLADE GUIDE BLOCK		1	*			
302-1	JM21000091	BLADE GUIDE BLOCK	O	1				
303	JM21000096	COVER		1				
304	JM21000103	SLEEVE 12X8X52.5		1	*			
304-1	JM21000103	SLEEVE 12X8X52.5	O	1				
305	JM21000102	DOOR STRIKER CATCHER SWITCH		1	*			
305-1	JM21000102	DOOR STRIKER CATCHER SWITCH	O	1				
306	JM21000104	BRUSH		1				
307	JM21000105	SQUARE NECK BOLT M8X93		1	*			
307-1	JM21000105	SQUARE NECK BOLT M8X93	O	1				
308	JM21000106	HEX LOCK NUT M8		1	*			
308-1	JM21000106	HEX LOCK NUT M8	O	1				
309	JM21000121	BALL BEARING 6001		1				
310	JM21000122	RETAINING RING R-28		1	*			
310-1	JM21000122	RETAINING RING R-28	O	1				
311	JM21000131	HEX SOCKET HEAD BOLT M6X12		1	*			
311-1	JM21000131	HEX SOCKET HEAD BOLT M6X12	O	1				
312	JM21000140	H.S. HEAD SCREW M6X25		1	*			
312-1	JM21000234	HEX SOCKET HEAD BOLT M6X35	S	1	*			
312-2	JM21000140	H.S. HEAD SCREW M6X25	X	1	*			
312-3	JM00000347	HEX SOCKET HEAD BOLT M6X20	X	1				
313	JM21000141	DOOR LATCH KNOB		1	*			
313-1	JM21000231	DOOR LATCH KNOB	S	1	*			
313-2	JM21000141	DOOR LATCH KNOB	X	1	*			
313-3	JM21000141	DOOR LATCH KNOB	O	1				
314	JM21000143	PAN HEAD SCREW M4X8		1	*			
314-1	JM21000143	PAN HEAD SCREW M4X8	O	1				
315	JM21000173	WING NUT M8		1				
316	JM21000134	HEX BOLT M6X12		2				
317	JM21000032	HEX NUT M4		1				
318	JM21000106	HEX LOCK NUT M8		1	*			
318-1	JM21000106	HEX LOCK NUT M8	O	1				
319	JM21000210	SQUARE NECK BOLT M6X16		16	*			
319-1	JM21000210	SQUARE NECK BOLT M6X16	O	8				
320	JM21000037	HEX SOCKET HEAD BOLT M6X20		1	*			
320-1	JM21000037	HEX SOCKET HEAD BOLT M6X20	O	1				
321	JM21000037	HEX SOCKET HEAD BOLT M6X20		4	*			

Please order the parts with part number.

Print Date 14/8/2021

Model No.LB1200F 305MM BAND SAW

รายการ	รหัสอะไหล่	รายละเอียด	การ แลกเปลี่ยน	จำนวน	New/Old	ขาย	ซื้อ	ข้อความ
321-1	JM21000037	HEX SOCKET HEAD BOLT M6X20	O	4				
322	JM21000037	HEX SOCKET HEAD BOLT M6X20		4	*			
322-1	JM00000342	HEX SOCKET HEAD BOLT M6X16	X	4				
323	JM21000035	FLAT WASHER 6		1				
324	JM21000240	HEX SOCKET HEAD BOLT M4X8	S	2				
325	JM21000026	FLAT WASHER 4	S	2				
326	JM21000027	SPRING WASHER 4	S	2				
327	JM21000241	SPONGE TAPE	S	2				
328	JM21010003	LIFTING BRACKET ASSEMBLY		1	*			
D10		INC. 51,324,325,326,329			*			
329	JM21010002	LIFTING BRACKET ASSEMBLY		1	*			
D10		INC. 52,54,327			*			
330	JM21000232	UPPER WHEEL COVER LOCK KNOB	S	1	*			
331	JM21000233	COMPRESSION SPRING	S	1	*			
332	JM21000235	SPRING PIN 4X20	S	1	*			
333	JM21000035	FLAT WASHER 6	S	1	*			
334	JM21000236	FLAT WASHER 6 (L)	S	1	*			
335	JM21000232	UPPER WHEEL COVER LOCK KNOB	S	1	*			
336	JM21000233	COMPRESSION SPRING	S	1	*			
337	JM21000235	SPRING PIN 4X20	S	1	*			
338	JM21000035	FLAT WASHER 6	S	1	*			
339	JM21000236	FLAT WASHER 6 (L)	S	1	*			
340	JM00000274	UPPER WHEEL COVER ASSEMBLY		1				
D10		INC.1-13,15- 17,341,342,344,345						
341	JM00000277	SPONGE E		1				
342	JM00000278	SPONGE F		1				
343	JM27000113	MAKITA LOGO PLATE		1				
344	JM00000276	SPONGE A		1				
345	JM00000275	SPONGE B		1				
346	JM00000279	LOW WHEEL COVER ASSEMBLY		1				
D10		INC.18,19,207,219,242,248,266,						
D20		270,277,281,293,294,295,320,						
D30		347-354						
347	JM21000018	HEX SOCKET HEAD BOLT M5X12		2				
348	JM21000019	SPRING WASHER 5		2				
349	JM21000020	FLAT WASHER 5		2				
350	JM21080006	BAND SPEED TABLE LABEL		1				

Please order the parts with part number.

Print Date 14/8/2021

Model No.LB1200F 305MM BAND SAW

รายการ	รหัสอะไหล่	รายละเอียด	การ แลกเปลี่ยน	จำนวน	New/Old	ขาย	ซื้อ	ข้อความ
351	JM00000277	SPONGE E		1				
352	JM00000277	SPONGE E		1				
353	JM00000276	SPONGE A		1				
354	JM00000280	SPONGE C		1				
355	JM21000035	FLAT WASHER 6		1				
356	JM21000035	FLAT WASHER 6		1				
361	JM21080293	LARGE DUST COLLECTOR		1				
362	JM21000035	FLAT WASHER 6		1				
363	JM21000035	FLAT WASHER 6		1				
368	JM21080001	BAND TENSION LEVER LABEL		1				
369	JM21080002	BAND TENSION ADJUST LABEL		1				
370	JM21080003	BAND WHEEL CAMBER ADJUST LABEL		1				
371	JM21080007	GUIDE HEIGHT ADJUST LABEL		1				
372	JM21080032	NAMEPLATE,AFTER SALES SERVICE		1				
373	JM21800066	SOUND 97DB LABEL		1				
374	JM21080048	MOVING TOOL OPERATION LABEL		1				
375	JM21080005	TABLE ANGLE ADJUST LABEL		1				
376	JM21080004	BELT ADJUST OPERATION LABEL		1				
377	JM00000329	CONE PIN 8X26		1				
378	JM00000330	HEX BOLT M8X35		1				
379	JM21000083	FLAT WASHER 8L		1				
380	JM21000106	HEX LOCK NUT M8		1				
381	JM00000346	TABLE BEVEL SCALE LABEL		1				
382	JM21000020	FLAT WASHER 5		2				
383	JM21000209	LEG B		1				
384	JM21000209	LEG B		1				
385	JM27000113	MAKITA LOGO PLATE		1				
386	JM21000220	BEAM B		1				
387	JM21000035	FLAT WASHER 6		8				
388	JM21000034	SPRING WASHER 6		8				
389	JM21000063	HEX NUT M6		8				
390	JM21000210	SQUARE NECK BOLT M6X16		8				
391	JM21000035	FLAT WASHER 6		8				
392	JM21000034	SPRING WASHER 6		8				
393	JM21000063	HEX NUT M6		8				
394	JM21000210	SQUARE NECK BOLT M6X16		8				
395	JM21000035	FLAT WASHER 6		8				
396	JM21000034	SPRING WASHER 6		8				
397	JM21000063	HEX NUT M6		8				

Please order the parts with part number.

Print Date 14/8/2021

Model No.LB1200F 305MM BAND SAW

รายการ	รหัสอะไหล่	รายละเอียด	การ แลกเปลี่ยน	จำนวน	New/Old	ขาย	ซื้อ	ข้อความ
398	JM27000003	FLAT WASHER 10		2				
399	JM00000284	UPPER BAND SAW WHEEL ASSEMBLY		1				
D10		INC. 22-25,282,285						
400	JM00000283	LOWER BAND SAW WHEEL ASSEMBLY		1				
D10		INC. 27,283,284,286,287,297						
401	JM00000340	UPPER BLADE GUIDE ASSEMBLY		1				
D10		INC.50-52,56,58,63- 72,135,241,						
D20		324-326,402-408						
402	JM21000095	HEX SOCKET HEAD BOLT M5X20		1				
403	JM21000094	FLANGED SLEEVE 15-10X5X7		1				
404	JM21000093	BALL BEARING 6200		1				
405	JM21000020	FLAT WASHER 5		1				
406	JM21000092	COLUMN PIN 10X15		1				
407	JM21000087	HEX SOCKET SET SCREW M6X8		1				
408	JM21000087	HEX SOCKET SET SCREW M6X8		1				
409	JM21000067	THIN HEX NUT M10		1				
410	JM21000067	THIN HEX NUT M10		1				
411	JM00000285	UPPER AXLE ASSEMBLY		1				
D10		INC. 45-48						
412	JM00000337	LOW BLADE GUIDE ASSEMBLY		1				
D10		INC.134,140-142,214,217,224,						
D20		227,236,238,272-276,300-302,						
D30		413-419						
413	JM21000087	HEX SOCKET SET SCREW M6X8		1				
414	JM21000087	HEX SOCKET SET SCREW M6X8		1				
415	JM21000092	COLUMN PIN 10X15		2				
416	JM21000095	HEX SOCKET HEAD BOLT M5X20		1				
417	JM21000094	FLANGED SLEEVE 15-10X5X7		1				
418	JM21000093	BALL BEARING 6200		1				
419	JM21000020	FLAT WASHER 5		1				
420	JM21000043	RETAINING RING S-17		1				
421	JM21000037	HEX SOCKET HEAD BOLT M6X20		2				
422	JM21000063	HEX NUT M6		2				
423	JM00000286	BELT TENSIONER WHEEL ASSEMBLY		1				
D10		INC. 99-103,309,310						
424	JM21000229	LED LAMP ASSEMBLY,HV		1				

Please order the parts with part number.

Print Date 14/8/2021

Model No.LB1200F 305MM BAND SAW

รายการ	รหัสอะไหล่	รายละเอียด	การ แลกเปลี่ยน	จำนวน	New/Old	ขาย	ซื้อ	ข้อความ
D10		INC. 146,156,425						
425	JM00000333	LED LAMP		1				
426	JM23100065	PAN HEAD SCREW M4X8		2				
427	JM21000004	SWITCH		1				
428	JM00000064	LOCKER SWITCH FIX PLATE		1				
429	JM21000032	HEX NUT M4		2				
430	JM21000027	SPRING WASHER 4		2				
431	JM21000026	FLAT WASHER 4		2				
432	JM21000221	EARTHING TERMINAL 4		2				
433	JM21000113	EXTERNAL TOOTH LOCK WASHER 4		2				
434	JM21000028	PAN HEAD SCREW M4X10		2				
435	JM21000228	TERMINAL BOX		1				
436	JM21000248	CAPACITOR 22 MICRO F		1				
437	JM21080260	MITER GUAGE ASSY		1				
D10		INC. 438-462						
438	JM00000296	GRIP BOLT M6X22		1				
439	JM21000083	FLAT WASHER 8L		1				
440	JM00000367	MITER GUAGE PLATE COMPLETE		1				
441	JM00000295	KNOB NUT M6		1				
442	JM21000032	HEX NUT M4		1				
443	JM00000302	PAN HEAD SCREW M4X20		1				
444	JM21000032	HEX NUT M4		1				
445	JM00000302	PAN HEAD SCREW M4X20		1				
446	JM21000032	HEX NUT M4		1				
447	JM00000302	PAN HEAD SCREW M4X20		1				
448	JM23100141	HEX LOCK NUT M5		1				
449	JM21000020	FLAT WASHER 5		1				
450	JM21000018	HEX SOCKET HEAD BOLT M5X12		1				
451	JM00000298	FENCE COVER		1				
452	JM00000300	SLIDE PLATE A		1				
453	JM00000299	SQUARE NECK BOLT M6X30		1				
454	JM00000343	MITER GUAGE FENCE		1				
455	JM00000298	FENCE COVER		1				
456	JM00000293	POINTER A		1				
457	JM00000292	HEX SOCKET SET SCREW M5X8		1				
458	JM00000294	POINTER BRACKET PLATE		1				
459	JM00000291	POINTER BRACKET		1				
460	JM00000292	HEX SOCKET SET SCREW M5X8		1				
461	JM00000290	GUIDE BAR		1				

Please order the parts with part number.

Print Date 14/8/2021

Model No.LB1200F 305MM BAND SAW

รายการ	รหัสอะไหล่	รายละเอียด	การ แลกเปลี่ยน	จำนวน	New/Old	ขาย	ซื้อ	ข้อความ
462	JM00000289	FLAT HEAD SCREW M4X12		1				
463	JM21080230	RIP FENCE ASSY		1				
D10		INC. 464-477,487-493						
464	JM00000369	FENCE BRACKET COMPLETE		1				
D10		INC. 478-486						
465	JM00000328	KNOB NUT M6		2				
466	JM00000327	FLAT WASHER 6 (L)		2				
467	JM00000311	SQUARE NECK BOLT M6X56		2				
468	JM00000310	HEX SOCKET HEAD BOLT M6X20		2				
469	JM21000034	SPRING WASHER 6		2				
470	JM21000035	FLAT WASHER 6		2				
471	JM00000326	FENCE ADJUST BLOCK		1				
472	JM00000309	RIP FENCE INSERT B		1				
473	JM00000308	RIP FENCE		1				
474	JM00000304	RIP FENCE INSERT A		1				
475	JM00000325	PAN HEAD SCREW M4X8		1				
476	JM21000026	FLAT WASHER 4		1				
477	JM00000324	FENCE POINTER		1				
478	JM00000312	FENCE BRACKET A		1				
479	JM00000323	HEX BOLT M6X34		1				
480	JM21000035	FLAT WASHER 6		1				
481	JM00000314	KNURLED PIN 5X30		1				
482	JM21010004	RIP FENCE FIXED PLATE		1				
483	JM00000318	COMPRESSION SPRING		1				
484	JM00000317	SPRING PIN 4X28		1				
485	JM00000321	ECCENTRIC WHEEL		1				
486	JM00000322	KNURLED PIN 8X30		1				
487	JM00000316	FRICTION PLATE		1				
488	JM00000281	FLAT HEAD SCREW M4X10		1				
489	JM00000320	GRIP BOLT M8X10		1				
490	JM00000319	GRIP BOLT CAP		1				
491	JM00000305	GUIDE PLATE A		1				
492	JM00000306	GUIDE PLATE B		1				
493	JM00000307	KNOB BOLT M6X30		1				
494	JM21000063	HEX NUT M6		1				
495	JM00000327	FLAT WASHER 6 (L)		1				
496	JM21000108	PAN HEAD SCREW M4X10		2				
497	JM21000035	FLAT WASHER 6		1				
498	JM21000179	TABLE FRONT RAIL LABEL SET		1				
D10		INC. 163						

Please order the parts with part number.

Print Date 14/8/2021

Model No.LB1200F 305MM BAND SAW

รายการ	รหัสอะไหล่	รายละเอียด	การ แลกเปลี่ยน	จำนวน	New/Old	ขาย	ซื้อ	ข้อความ
A01	JM21080230	RIP FENCE ASSY		1	*			
C01	JM00000105	PRESS HANDLE COVER		1	*			
C04	JM00000106	PRESS HANDLE B		1	*			
C07	JM00000107	ELASTIC PIN 3X25		1	*			
C10	JM21010004	RIP FENCE FIXED PLATE		1	*			
C13	JM00000108	ECCENTRIC WHEEL 38		1	*			
C16	JM00000111	FENCE BRACKET		1	*			
C19	JM00000112	COMPRESSURE SPRING 0.8		1	*			
C22	JM00000113	HEX SCREW		1	*			
C25	JM00000114	POINTER		1	*			
C28	JM00000115	FLAT WASHER 4		1	*			
C31	JM00000116	CROSS HEAD SCREW M4X10		1	*			
C34	JM00000117	MITER GUAGE KNOB		2	*			
C37	JM00000118	FENCE ADJUST BLOCK		1	*			
C40	JM00000119	HEX BOLT M6X16		2	*			
C43	JM00000120	SPRING WASHER 6		2	*			
C46	JM00000121	FLAT WASHER 6		2	*			
C49	JM00000122	RIP FENCE		1	*			
C52	JM00000123	FENCE SEAL PLATE A		1	*			
C55	JM00000124	GUIDE PLATE A		1	*			
C58	JM00000125	GUIDE PLATE B		1	*			
C61	JM00000126	GUIDE PLATE KNOB		1	*			
C64	JM00000127	FENCE SEAL PLATE B		1	*			
C67	JM00000128	SQUARE NECK BOLT M6X60		2	*			
C70	JM00000129	PIN SHAFT A		1	*			
C73	JM00000130	PIN SHAFT B		1	*			
C76	JM00000131	FRICTION PLATE		1	*			
C79	JM00000132	CROSS HEAD SUNK SCREW M4X14		1	*			
A02	JM21080260	MITER GUAGE ASSY		1	*			
A03	JM21080290	PUSH STICK		1				
A04	JM21080291	HEX KEY WRENCH 4		1	*			
A04-1	JM21080291	HEX KEY WRENCH 4	O	1				
A05	JM21080292	HEX KEY WRENCH 5		1	*			
A05-1	JM21080292	HEX KEY WRENCH 5	O	1				
A06	JM21080293	LARGE DUST COLLECTOR		1	*			
A07	JM21080294	BLADE 2240(88")X6(1/4")6TPI		1	*			
A07-1	JM21080294	BLADE 2240(88")X6(1/4")6TPI	O	1				
A08	JM21080295	BLADE 2240(88")X13(1/2")4TPI		1	*			
A08-1	JM21080295	BLADE 2240(88")X13(1/2")4TPI	O	1				

Please order the parts with part number.

Print Date 14/8/2021

Model No.LB1200F 305MM BAND SAW

รายการ	รหัสอะไหล่	รายละเอียด	การ แลกเปลี่ยน	จำนวน	New/Old	ขาย	ซื้อ	ข้อความ
A09	JM21080296	BLADE 2240(88")X16(5/8")4TP		1	*			
A09-1	JM21080296	BLADE 2240(88")X16(5/8")4TP	O	1				
A10	JM21080297	BLADE 2240(88")X16(5/8") 14TPI		1	*			
A10-1	JM21080297	BLADE 2240(88")X16(5/8") 14TPI	O	1				

Please order the parts with part number.

Print Date 14/8/2021