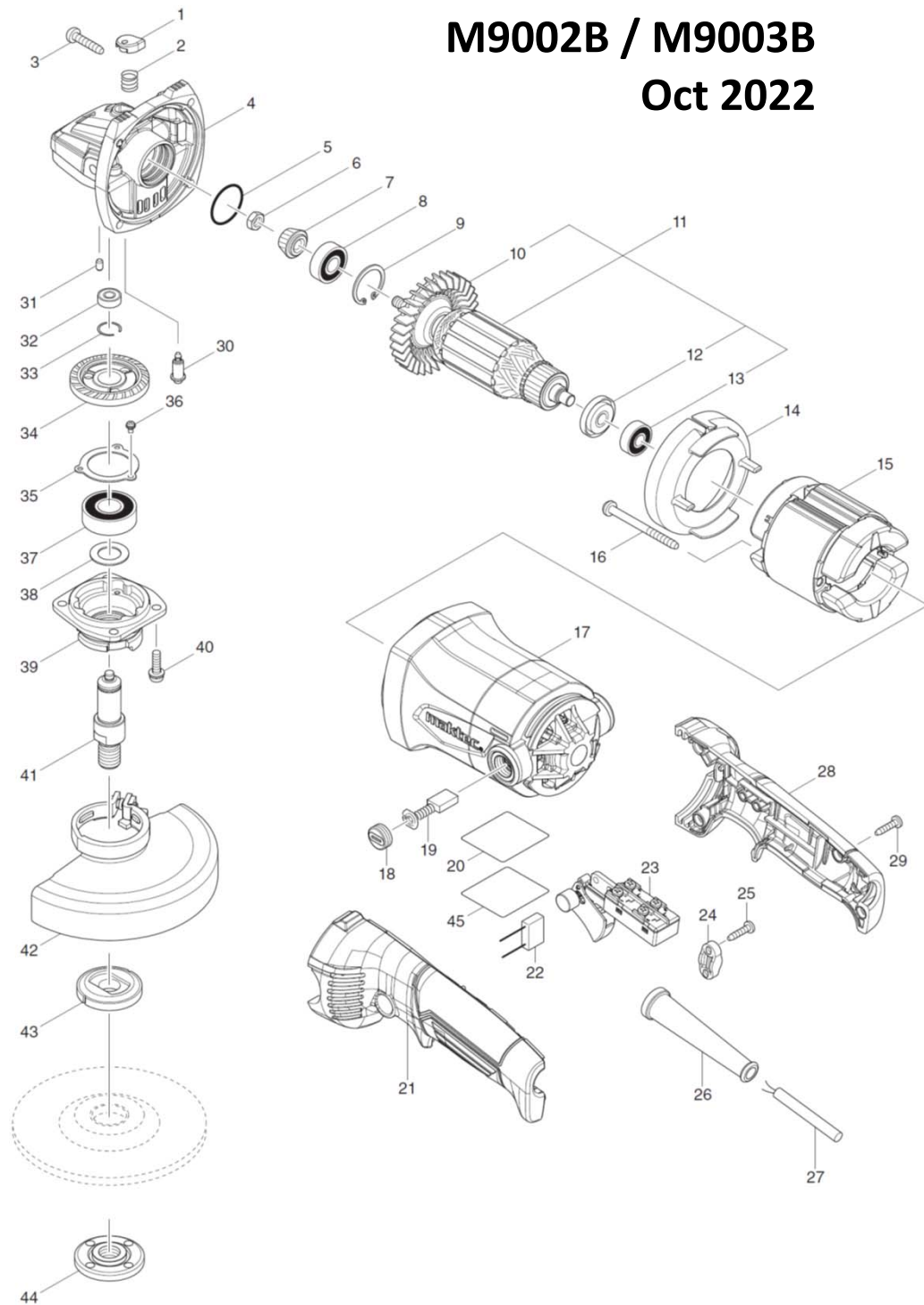


M9002B / M9003B

Oct 2022



M9002B - 5"

NO.	PARTS NO.	DESCRIPTION	ราคาตั้ง (บาท)
1	417771-6	PIN CAP	110
2	234057-1	COMPRESSION SPRING 8	70
3	266459-3	TAPPING SCREW 5X25	50
4	319178-1	GEAR HOUSING	720
5	213445-5	O-RING 26	30
6	264010-3	HEX.NUT M7	70
7	227520-1	SPIRAL BEVEL GEAR 11	300
8	210059-1	BALL BEARING 6000DDW	300
9	962105-3	RETAINING RING R-26	80
10	240094-5	FAN 70	150
11	513928-8	ARMATURE ASS'Y 220V	
12	681644-1	INSULATION WASHER	60
13	210029-0	BALL BEARING 608ZZ	130
14	455301-5	BAFFLE PLATE	80
15	594668-7	FIELD ASS'Y 220V	
15	654449-2	RING TERMINAL	60
15	654485-8	PARALLEL SPLICE	20
16	266329-6	TAPPING SCREW 5X60	70
17	143253-9	MOTOR HOUSING COMPLTE	710
17	644501-4	BRUSH HOLDER 5X11	190
18	643750-0	BRUSH HOLDER CAP 7-11	70
19	B-80379	CARBON BRUSH SET CB-303A	190
20	850Y29-4	M9002 NAME PLATE	
21	183B06-6	HANDLE SET	500
23	650115-9	SWITCH TN31-2	450
24	687140-7	STRAIN RELIEF	40
25	266326-2	TAPPING SCREW 4X18	30
26	682574-9	CORD GUARD 10-90	90
27	691780-5	POWER SUPPLY CORD 0.75-2-5.0	320
28	183B06-6	HANDLE SET	500
29	266326-2	TAPPING SCREW 4X18	30
30	256505-0	SHOULDER PIN 5	90
31	263002-9	RUBBER PIN 4	30
32	210033-9	BALL BEARING 696ZZ	150
33	233925-5	RING SPRING 13	70
34	227637-0	SPIRAL BEVEL GEAR 35A	600
35	285728-3	BEARING RETAINER 39	60
36	911003-8	PAN HEAD SCREW M3X6	100
37	211241-5	BALL BEARING 6202DDW	180
38	267274-8	FLAT WASHER 15	70
39	319179-9	BEARING BOX	390
40	265131-4	PAN HEAD SCREW M5X18	40
41	326434-2	SPINDLE	300
42	123099-9	WHEEL COVER 125AK ASSEMBLY	410
42	213009-5	O RING 4	20
42	265180-1	PAN HEAD SCREW M5X16	50
43	224490-5	INNER FLANGE 14-45	180
44	224554-5	LOCK NUT 14-45	250
45	804V25-6	CLEAR LABEL	
A01	153504-2	GRIP 36 COMPLETE	280
A02	782423-1	LOCK NUT WRENCH 35	170

M9003B - 6"

NO.	PARTS NO.	DESCRIPTION	ราคาตั้ง (บาท)
1	417771-6	PIN CAP	110
2	234057-1	COMPRESSION SPRING 8	70
3	266459-3	TAPPING SCREW 5X25	50
4	319178-1	GEAR HOUSING	720
5	213445-5	O-RING 26	30
6	264010-3	HEX.NUT M7	70
7	227529-3	SPIRAL BEVEL GEAR 11A	300
8	210059-1	BALL BEARING 6000DDW	300
9	962105-3	RETAINING RING R-26	80
10	240094-5	FAN 70	150
11	513928-8	ARMATURE ASS'Y 220V	
12	681644-1	INSULATION WASHER	60
13	210029-0	BALL BEARING 608ZZ	130
14	455301-5	BAFFLE PLATE	80
15	594668-7	FIELD ASS'Y 220V	
15	654449-2	RING TERMINAL	60
15	654485-8	PARALLEL SPLICE	20
16	266329-6	TAPPING SCREW 5X60	70
17	143253-9	MOTOR HOUSING COMPLTE	710
17	644501-4	BRUSH HOLDER 5X11	190
18	643750-0	BRUSH HOLDER CAP 7-11	70
19	B-80379	CARBON BRUSH SET CB-303A	190
20	850Y40-6	M9003 NAME PLATE	
21	183B06-6	HANDLE SET	500
23	650115-9	SWITCH TN31-2	450
24	687140-7	STRAIN RELIEF	40
25	266326-2	TAPPING SCREW 4X18	30
26	682574-9	CORD GUARD 10-90	90
27	691780-5	POWER SUPPLY CORD 0.75-2-5.0	320
28	183B06-6	HANDLE SET	500
29	266326-2	TAPPING SCREW 4X18	30
30	256505-0	SHOULDER PIN 5	90
31	263002-9	RUBBER PIN 4	30
32	210033-9	BALL BEARING 696ZZ	150
33	233925-5	RING SPRING 13	70
34	227638-8	SPIRAL BEVEL GEAR 38	600
35	285728-3	BEARING RETAINER 39	60
36	911003-8	PAN HEAD SCREW M3X6	100
37	211241-5	BALL BEARING 6202DDW	180
38	267274-8	FLAT WASHER 15	70
39	319179-9	BEARING BOX	390
40	265131-4	PAN HEAD SCREW M5X18	40
41	326434-2	SPINDLE	300
42	123230-7	WHEEL COVER 150AK ASSEMBLY	570
42	213009-5	O RING 4	20
42	265180-1	PAN HEAD SCREW M5X16	50
43	224490-5	INNER FLANGE 14-45	180
44	224554-5	LOCK NUT 14-45	250
45	804V25-6	CLEAR LABEL	
A01	153504-2	GRIP 36 COMPLETE	280
A02	782423-1	LOCK NUT WRENCH 35	170