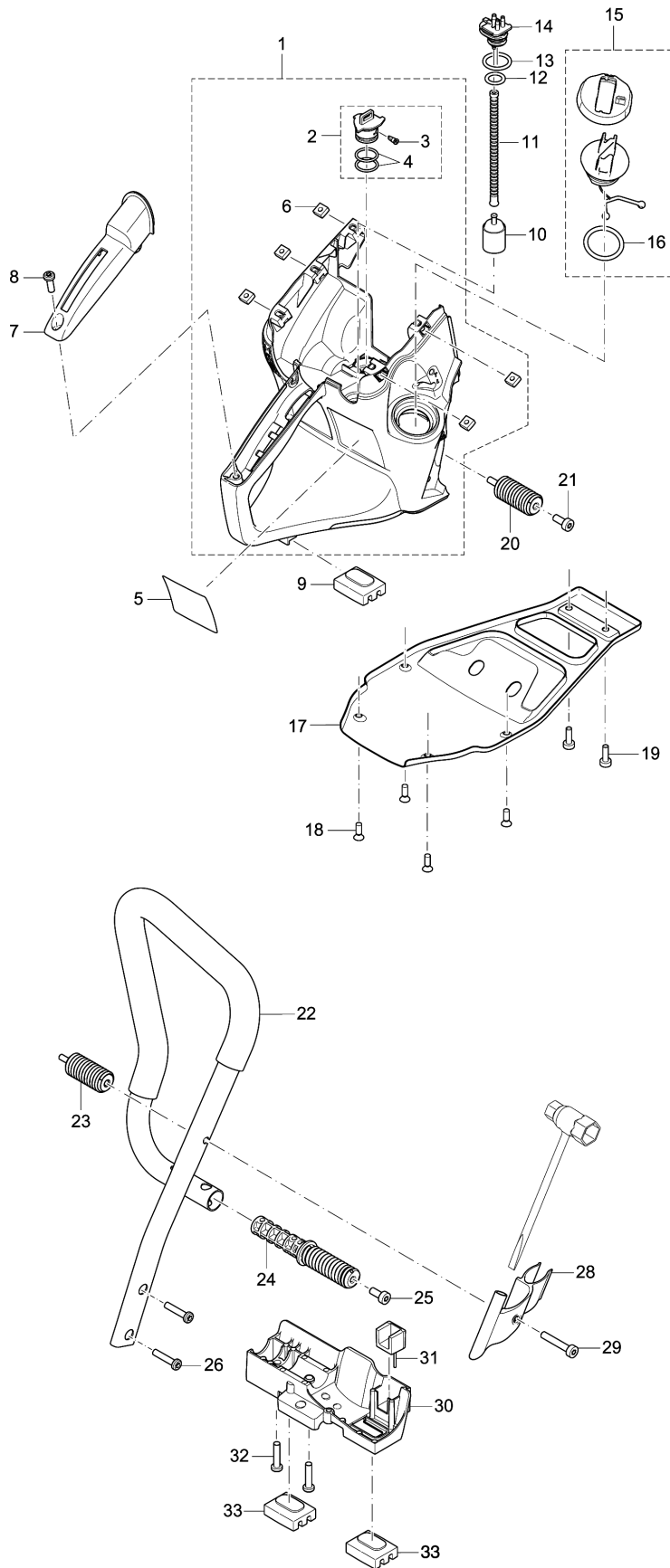
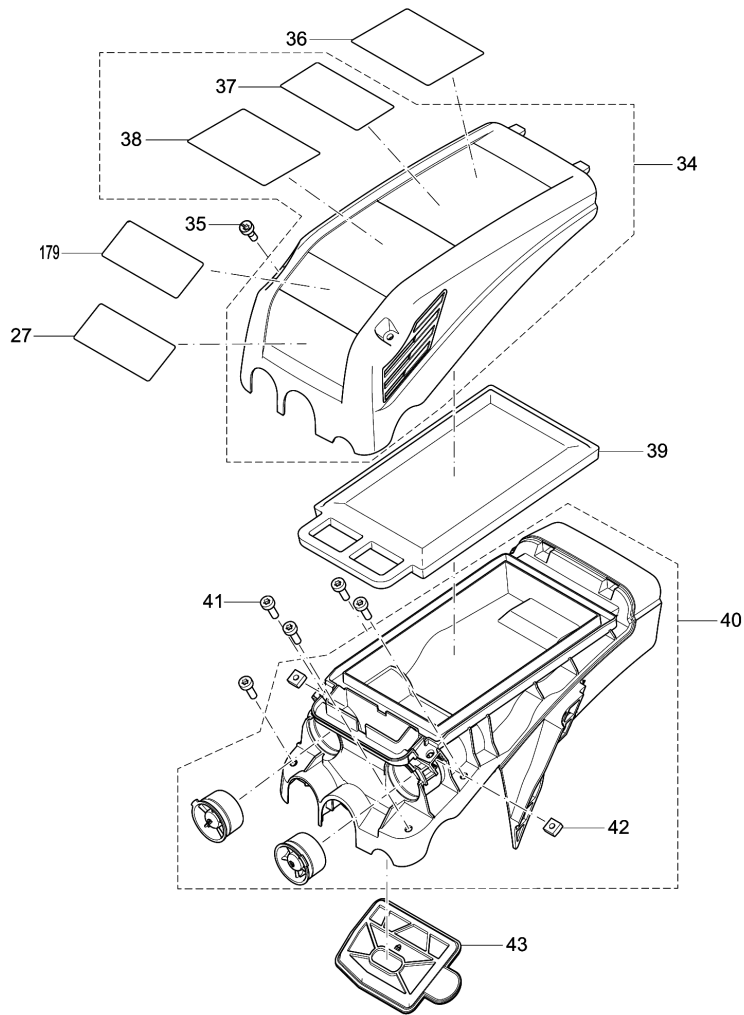


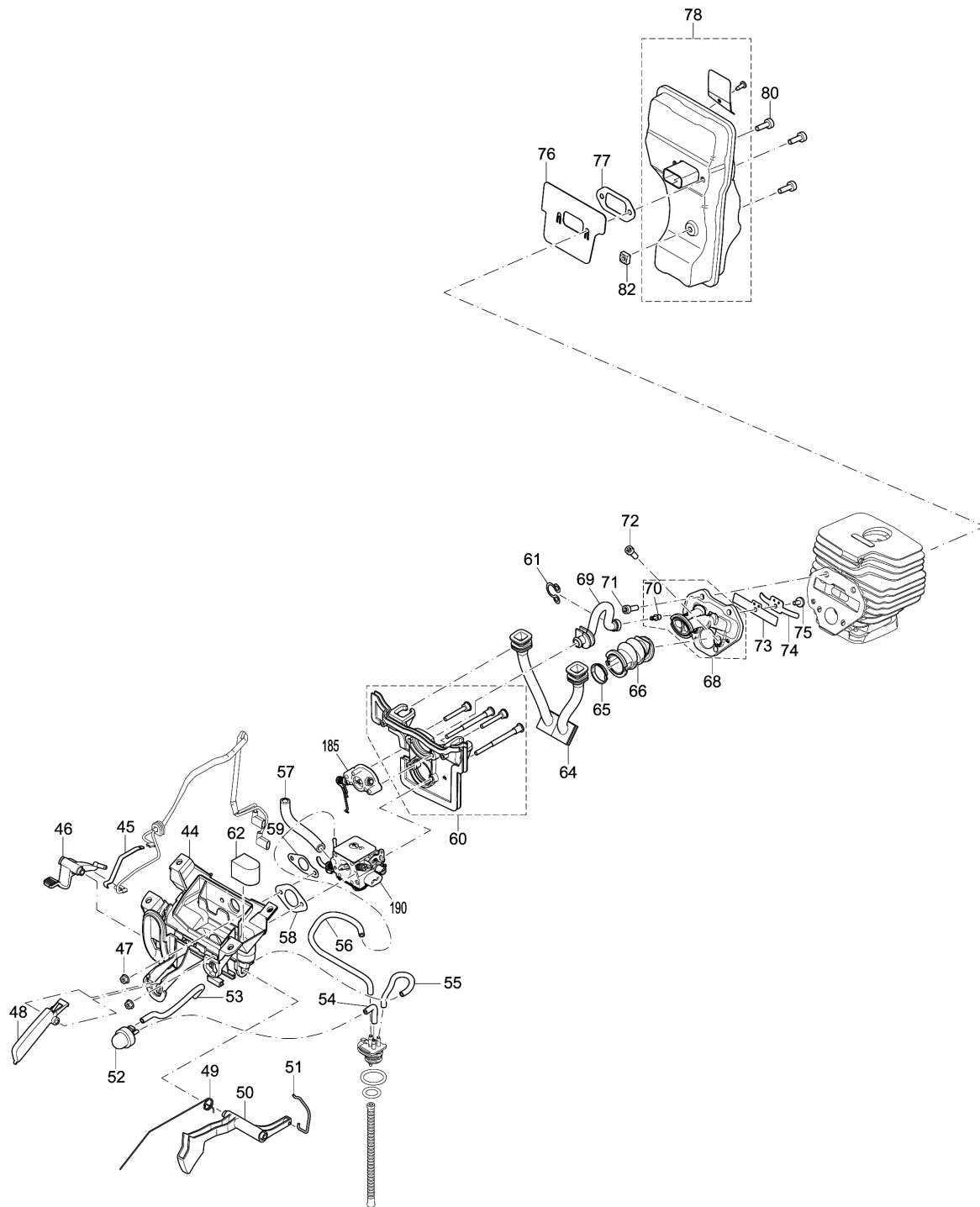
Model No.EK6101 POWER CUTTER



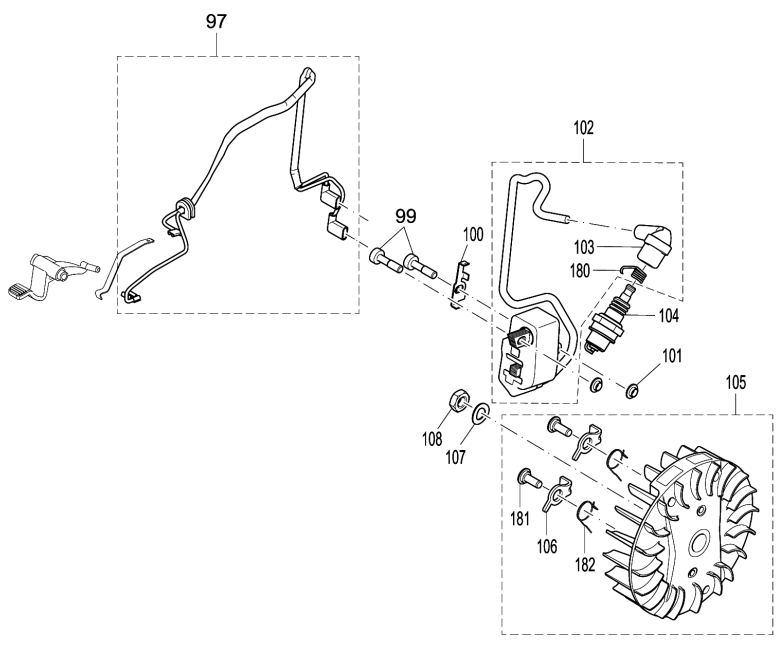
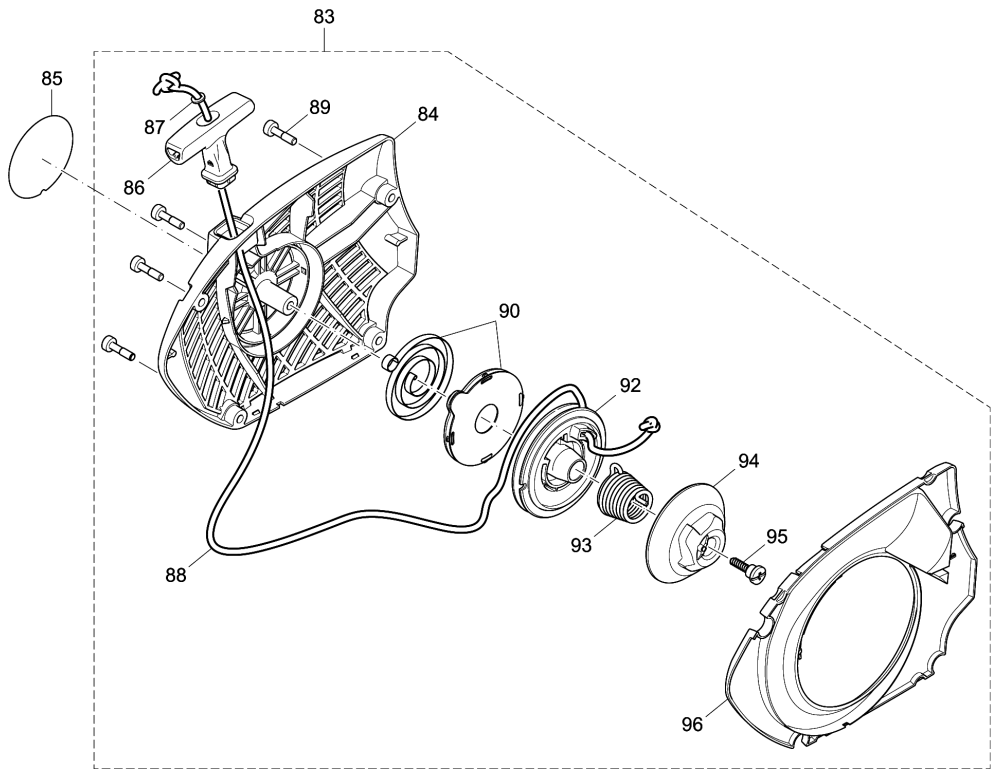
Model No.EK6101 POWER CUTTER



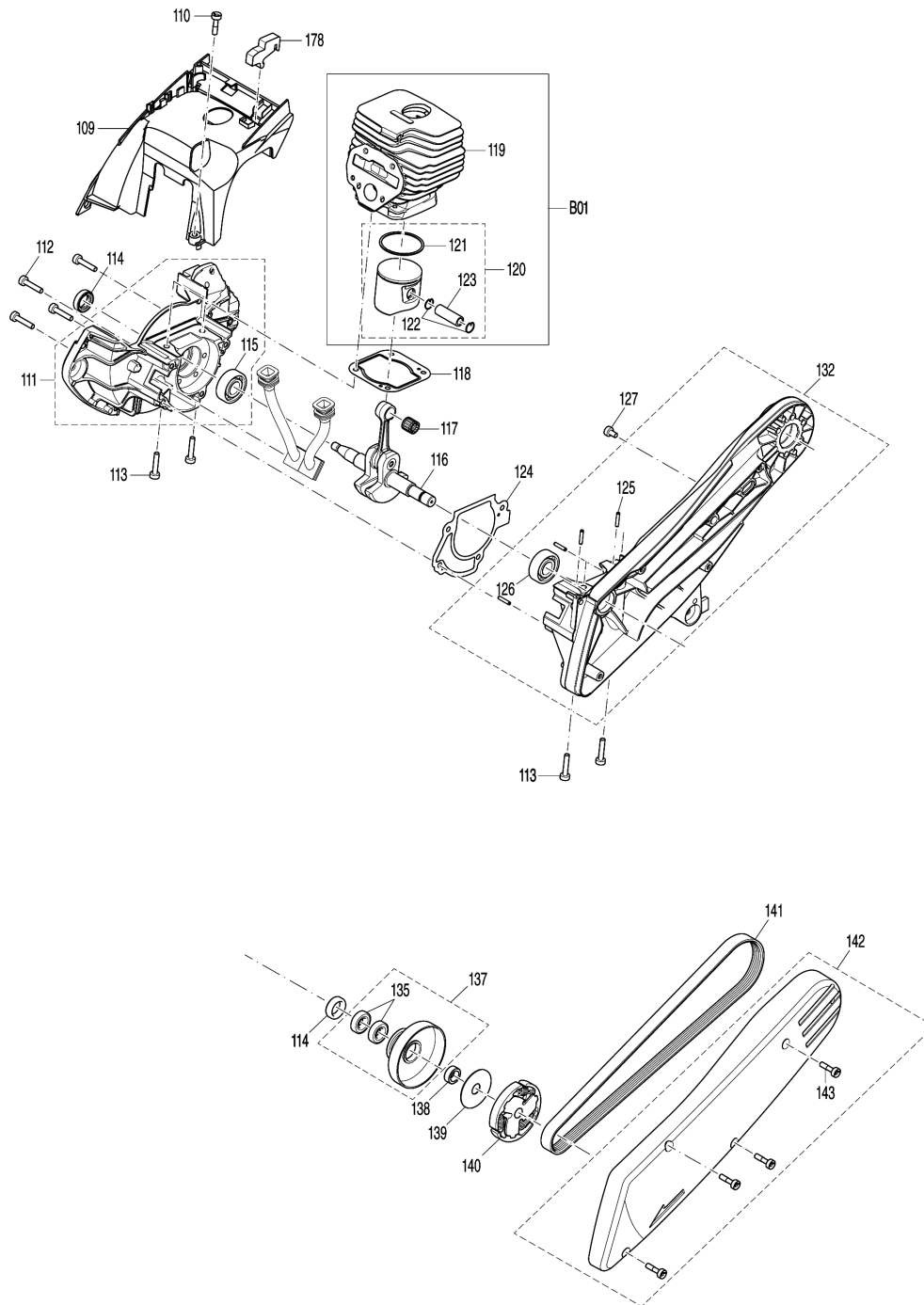
Model No.EK6101 POWER CUTTER



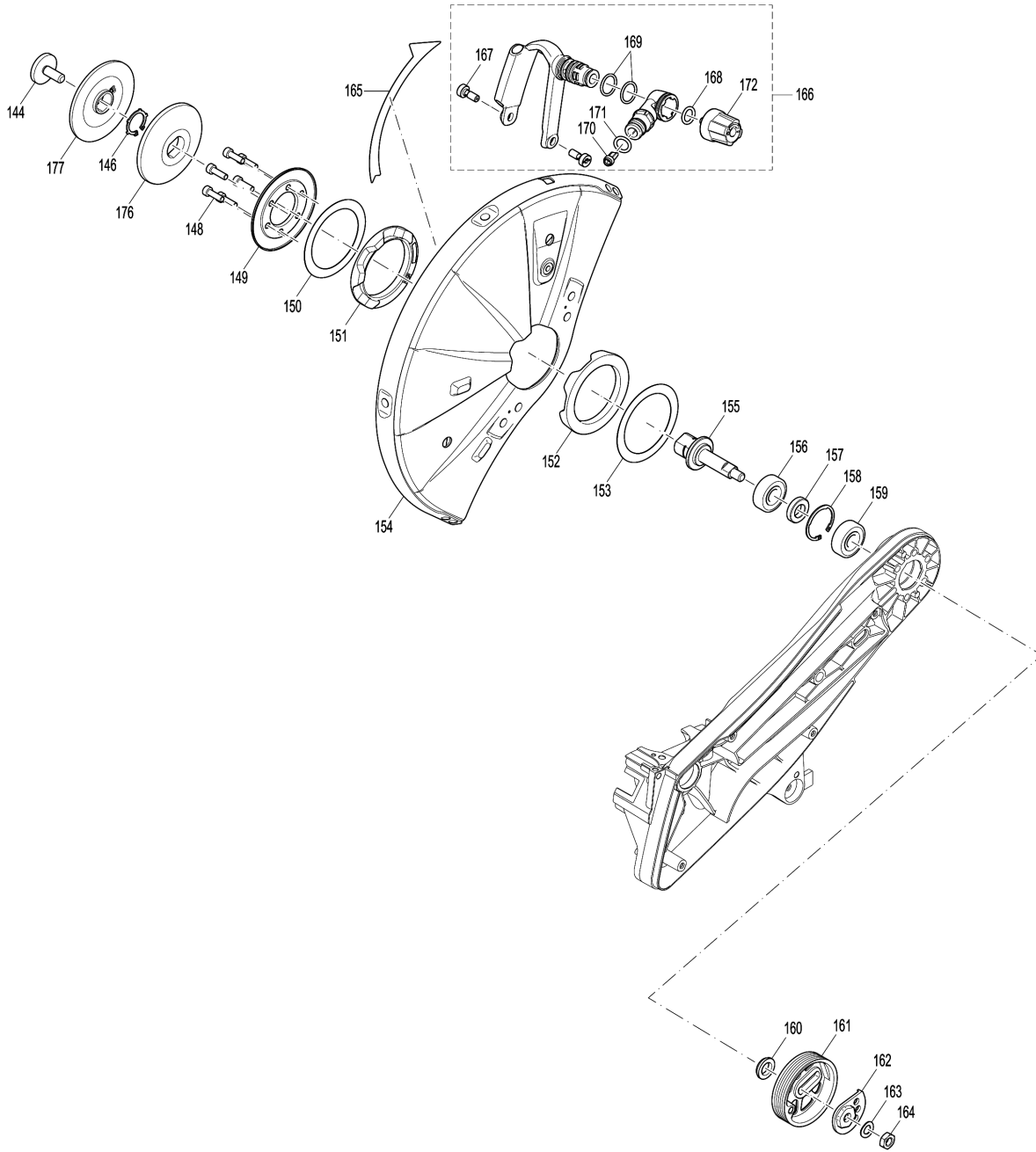
Model No.EK6101 POWER CUTTER



Model No.EK6101 POWER CUTTER



Model No.EK6101 POWER CUTTER



Model No.EK6101 POWER CUTTER

รายการ	รหัสอะไหล่	รายละเอียด	การ แลกเปลี่ยน	จำนวน	New/Old	ขาย	ซื้อ	ข้อความ
001	123476-5	FUEL TANK CPL. BLUE		1				
D10		INC. 2						
002	143445-0	VALVE COVER CPL.		1				
D10		INC. 3,4						
003	424170-5	VALVE		1				
004	213829-7	O-RING 17		2				
005	852C57-3	EK6101 NAME PLATE		1				
006	264108-6	SQUARE NUT M5		5				
007	456295-7	GRIP OUTER SHELL		1				
008	266478-9	H.L.TAPPING SCREW 5.5X16		1				
009	424781-6	RUBBER FOOT		1				
010	163499-1	SUCTION HEAD		1				
011	424782-4	FUEL LINE		1				
012	213826-3	O-RING 13		1				
013	213827-1	O-RING 20		1				
014	456299-9	NIPPLE		1				
015	141378-3	TANK CAP COMPLETE		1				
D10		INC. 16						
016	213080-9	O RING 29.5		1				
017	346958-2	BOTTOM SHEET		1				
018	266991-7	H.L.TAPPING SCREW 5X15		4				
019	266605-8	H.L. SOCKET HEAD BOLT M5X16		2				
020	143461-2	DAMPING SPRING COMPLETE		2				
021	266950-1	H.L.SOCKET HEAD BOLT M6X14		2				
022	143442-6	TUBULAR HANDLE CPL.		1				
023	143460-4	DAMPING SPRING CPL.		1				
024	143462-0	DAMPING SPRING COMPLETE		1				
025	266950-1	H.L.SOCKET HEAD BOLT M6X14		1				
026	266475-5	H.L.TAPPING SCREW 5.5X20		2				
028	456297-3	CLAMP HANDLE		1				
029	266990-9	H.L. SOCKET HEAD BOLT M6X35		1				
030	319369-4	STAND SUPPORT		1				
031	424788-2	DAMPER		1				
032	266475-5	H.L.TAPPING SCREW 5.5X20		2				
033	424781-6	RUBBER FOOT		2				
034	143451-5	FILTER COVER CPL.		1				
D10		INC. 37,38						
035	266947-0	H.L. SOCKET HEAD BOLT M5X14		2				
036	807L79-2	CAUTION LABEL		1				

Please order the parts with part number.

Print Date 14/8/2021

Model No.EK6101 POWER CUTTER

รายการ	รหัสอะไหล่	รายละเอียด	การ แลกเปลี่ยน	จำนวน	New/Old	ขาย	ชื่อ	ข้อความ
037	807F55-0	WARNING SYMBLOS		1				
038	807F56-8	START PROCEDURE LABEL		1				
039	424789-0	AIR FILTER		1				
040	143490-5	HOOD CPL. BLUE		1				
D10		INC. 42						
041	266605-8	H.L. SOCKET HEAD BOLT M5X16		5				
042	264108-6	SQUARE NUT M5		2				
043	424790-5	INNER FILTER		1	*			
043-1	422201-4	SEALING INTAKE MANIFOLD	<	1				
044	456291-5	INTAKE MANIFOLD		1				
045	346957-4	CONTACT SPRING		1				
046	456292-3	CHOKE LEVER		1				
047	264119-1	HEXAGONAL NUT M4		4				
048	456294-9	CATCH LEVER		1				
049	233631-2	SPRING		1				
050	456293-1	THROTTLE LEVER		1				
051	326621-3	THROTTLE LINKAGE		1				
052	168398-2	PRIMER PUMP		1				
053	424785-8	VITON TUBE L=122mm		1				
054	424783-2	VITON TUBE L=40mm		1				
055	424784-0	VITON TUBE L=84mm		1				
056	424786-6	VITON TUBE L=200mm		1				
057	424787-4	TUBE. VITON 10X6 L=82MM		1				
058	346956-6	GASKET INTAKE MANIFOLD		1				
059	346955-8	GASKET AIR VALVE		1				
060	143440-0	INTERMEDIATE WALL CPL.		1				
061	282028-2	TUBE CLIP	S	1	*			
062	424780-8	FOAM INSERT		1				
064	424777-7	SUCTION PIPE		2				
065	346867-5	GUIDE RING		1				
066	424778-5	SUCTION HOSE		1				
068	143439-5	AIR HOSE CPL.		1				
D10		INC. 70						
069	424795-5	IMPULSE LINE		1				
070	324999-8	NIPPLE		1	*			
070-1	326770-6	NIPPLE	S	1				
071	266986-0	H.L. SOCKET HEAD BOLT M5X14		2	*			
071-1	251577-0	H.L. SOCKET HEAD BOLT M5X16	S	2				
072	266986-0	H.L. SOCKET HEAD BOLT M5X14		2	*			

Please order the parts with part number.

Print Date 14/8/2021

Model No.EK6101 POWER CUTTER

รายการ	รหัสอะไหล่	รายละเอียด	การ แลกเปลี่ยน	จำนวน	New/Old	ขาย	ซื้อ	ข้อความ
072-1	251577-0	H.L. SOCKET HEAD BOLT M5X16	S	2				
073	346951-6	REEDVALVE		1				
074	310674-2	VALVE STOPPER		1				
075	266985-2	H.L. SOCKET HEAD BOLT M4X8		1				
076	346959-0	COOLING PLATE		1				
077	346876-4	MUFFLER GASKET		1				
078	161392-3	MUFFLER CPL.		1				
080	266605-8	H.L. SOCKET HEAD BOLT M5X16		3				
082	264108-6	SQUARE NUT M5		1				
083	143454-9	STARTING DEVICE BLUE CPL.		1				
D10		INC. 84,86-96						
084	143455-7	STARTER HOUSING BLUE CPL.		1				
085	806K78-5	MAKITA LOGO LABEL		1				
086	452458-3	STARTER GRIP		1				
087	267862-1	SPRING WASHER 5		1				
088	424797-1	STARTER ROPE D=4.0 L=1000		1				
089	266938-1	H.L. SOCKET HEAD BOLT M5X20		4				
090	140587-1	REWIND SPRING COMPLETE		1				
092	456308-4	CABLE DRUM		1				
093	234193-3	SPRING EASY START		1				
094	456309-2	DRIVER EASY START		1				
095	266616-3	SCREW		1				
096	456307-6	AIR GUIDE PLATE		1				
097	161390-7	SHORT-CIRCUIT CABLE		1				
099	266472-1	TORX SOCKET HEAD BOLT M5X20		2	*			
099-1	266472-1	TORX SOCKET HEAD BOLT M5X20	O	2				
100	346954-0	EARTH SHEET		1				
101	451462-9	ISOLATING WASHER		2				
102	123479-9	IGNITION COIL CPL.		1	*			
D10		INC. 103,180			*			
102-1	123479-9	IGNITION COIL CPL.	O	1				
D10		INC. 103,180						
103	424706-0	PLUG CAP		1				
104	168517-0	SPARK PLUG		1				
105	143450-7	FLYWHEEL COMPLETE		1				
D10		INC. 106,181,182						
106	346953-2	RATCHET		2				
107	267822-3	SPRING WASHER 8		1				

Please order the parts with part number.

Print Date 14/8/2021

Model No.EK6101 POWER CUTTER

รายการ	รหัสอะไหล่	รายละเอียด	การ แลกเปลี่ยน	จำนวน	New/Old	ขาย	ซื้อ	ข้อความ
108	264022-6	HEX. NUT M8X1		1				
109	456289-2	COOLING HOOD		1				
110	266942-0	H.L. SOCKET HEAD BOLT M5X20		1				
111	143437-9	CRANKCASE MS CPL.		1				
D10		INC. 115						
112	266984-4	H.L. SOCKET HEAD BOLT M5X25		4				
113	266984-4	H.L. SOCKET HEAD BOLT M5X25		4				
114	213814-0	RADIAL RING		2				
115	211154-0	BALL BEARING 6202		1				
116	143435-3	CRANK SHAFT COMPLETE		1				
117	212164-0	NEEDLE CAGE		1				
118	346950-8	CYLINDERBASE GASKET		1				
119	319375-9	CYLINDER 47		1				
120	143436-1	PISTON COMPLETE		1	*			
D10		INC. 121,122,123			*			
120-1	143436-1	PISTON COMPLETE	S	1	*			
D10		INC. 121,122			*			
120-2	191L97-3	PISTON SET	<	1				
D10		INC. 121,122,123,192						
121	257384-9	PISTON RING D47		1				
122	234390-1	CIRCLIP 11		2	*			
122-1	234390-1	CIRCLIP 11	S	1				
123	257846-7	PISTON PIN		1	*			
123-1	257846-7	PISTON PIN	S	1				
124	346966-3	CRANK CASE GASKET		1				
125	258038-1	CLAMPING PIN		4				
126	211154-0	BALL BEARING 6202		1				
127	266474-7	H.L. SOCKET HEAD BOLT M5X9		1				
132	143449-2	CRANKCASE CS CPL.		1				
D10		INC. 125,126						
135	211168-9	BALL BEARING 6901		2				
137	161387-6	CLUTCH DRUM CPL.		1				
D10		INC. 135						
138	257385-7	SPACER		1				
139	267389-1	FLAT WASHER 12		1				
140	168510-4	CLUTCH COMPLETE		1				
141	424799-7	POLY-V-BELT 6PJ 716 ELAST		1				
142	143438-7	BELT COVER MAKITA CPL.		1				
D10		INC. 143						

Please order the parts with part number.

Print Date 14/8/2021

Model No.EK6101 POWER CUTTER

รายการ	รหัสอะไหล่	รายละเอียด	การ แลกเปลี่ยน	จำนวน	New/Old	ขาย	ซื้อ	ข้อความ
143	266942-0	H.L. SOCKET HEAD BOLT M5X20		4				
144	266976-3	HEX. BOLT M8X25		1				
146	234389-6	RETAINING RING 20X1.2		1				
148	266986-0	H.L. SOCKET HEAD BOLT M5X14		6	*			
148-1	251577-0	H.L. SOCKET HEAD BOLT M5X16	O	6				
149	319373-3	PRESSURE RING		1				
150	424792-1	SLIDING DISK		1				
151	424794-7	RUBBER RING INSIDE		1				
152	424793-9	RUBBER RING OUTSIDE		1				
153	424792-1	SLIDING DISK		1				
154	143459-9	PROTECTION HOOD 350 CPL.		1	*			
154-1	140V94-6	HOOD COMPLETE	<	1				
D10		INC. 165						
155	326623-9	AXLE 20.0		1				
156	210148-2	BALL BEARING 6201LLU		1	*			
156-1	211137-0	BALL BEARING 6201LLU	O	1				
157	257386-5	SPACER		1				
158	234388-8	RETAINING RING 32X1.2		1				
159	210148-2	BALL BEARING 6201LLU		1	*			
159-1	211137-0	BALL BEARING 6201LLU	O	1				
160	216217-7	WASHER		1				
161	222188-8	PULLEY PJ6		1				
162	310675-0	ECCENTRIC DISK		1				
163	267822-3	SPRING WASHER 8		1				
164	264022-6	HEX. NUT M8X1		1				
165	807G52-2	CAUTION LABEL		1				
166	143452-3	WATER SET CPL.		1	*			
D10		INC. 167-172			*			
166-1	183J43-8	WATER ATTACHMENT SET	<	1				
C10	143452-3	WATER SET CPL.		1				
D10		INC. 167-172						
167	266994-1	JET SCREW		2				
168	213828-9	O-RING 11		1				
169	213584-1	O-RING 16		2				
170	424791-3	WATER FILTER		1				
171	213828-9	O-RING 11		1				
172	266993-3	REGULATING SCREW		1				
176	319371-7	PRESSURE DISC 20.0		1				
177	319372-5	PRESSURE DISC 25.4		1				

Please order the parts with part number.

Print Date 14/8/2021

Model No.EK6101 POWER CUTTER

รายการ	รหัสอะไหล่	รายละเอียด	การ แลกเปลี่ยน	จำนวน	New/Old	ขาย	ซื้อ	ข้อความ
178	424796-3	STOPPER		1				
180	234358-7	TERMINAL SPRING		1				
181	266626-0	H.L. TAPPING SCREW 5X12		2				
182	233629-9	TORSION SPRING		2				
185	143441-8	AIR HEAD COMPLETE		1	*			
185-1	143441-8	AIR HEAD COMPLETE	O	1				
190A	161396-5	CARBURETOR DM22A		1				
190B	161395-7	CARBURETOR DM21A		1	*			
190-1B	161396-5	CARBURETOR DM22A	<	1				
192	234390-1	CIRCLIP 11		1				
193	422641-6	INTAKE FLANGE GASKET	S	1				
A01	197577-5	TOOL KIT		1	*			
C10	782025-3	TORX WRENCH		1	*			
C20	782029-5	UNIVERSAL WRENCH 13/19		1	*			
C30	783012-5	SCREWDRIVER		1	*			
C40	831340-3	TOOL BAG		1	*			
A01-1	198692-8	TOOL KIT	<	1	*			
C10	782025-3	TORX WRENCH		1	*			
C20	782033-4	UNIVERSAL WRENCH 13/19	<	1	*			
C30	783012-5	SCREWDRIVER		1	*			
C40	831340-3	TOOL BAG		1	*			
A01-2	198692-8	TOOL KIT	O	1				
C10	782025-3	TORX WRENCH		1				
C20	782033-4	UNIVERSAL WRENCH 13/19	<	1				
C30	783012-5	SCREWDRIVER		1				
C40	831340-3	TOOL BAG		1				
A02	123121-2	COUPLING SLEEVE		1				
A03A	195957-9	OIL SET		1	*			
A03B	D-56998	LASER DIAMOND WHEEL SEGMENTED		1				
A03-1A	195957-9	OIL SET	<	1				
A04B	195957-9	OIL SET		1	*			
A04-1B	195957-9	OIL SET	<	1				
E01	809P13-2	CLEAR LABEL		1				

Please order the parts with part number.

Print Date 14/8/2021