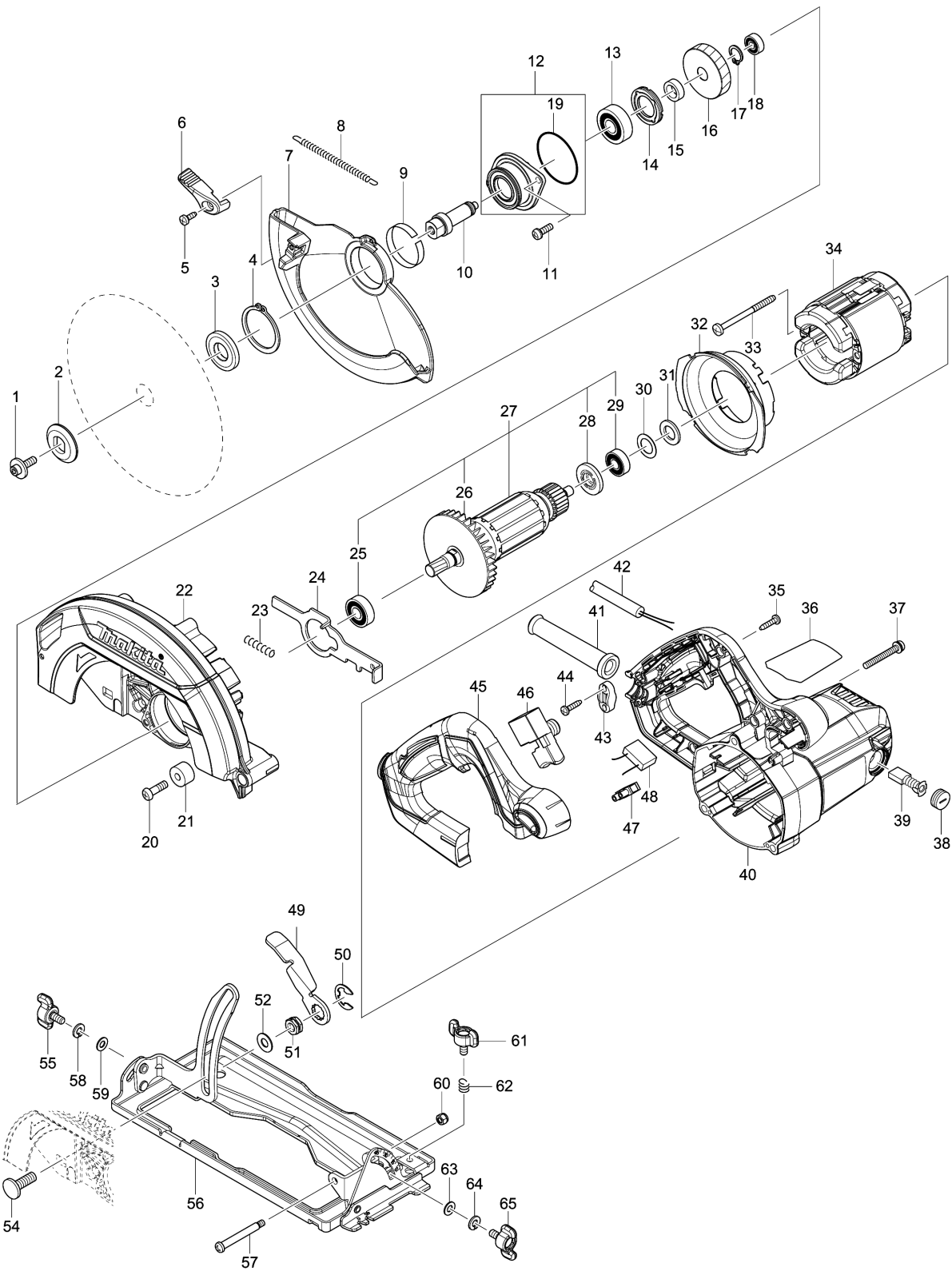


Model No.HS7010 185/190MM CIRCULAR SAW



Model No.HS7010 185/190MM CIRCULAR SAW

รายการ	รหัสอะไหล่	รายละเอียด	การ แลกเปลี่ยน	จำนวน	New/Old	ขาย	ซื้อ	ข้อความ
001	266024-8	HEX. SOCKET HEAD BOLT M6X20		1				
002	224409-4	OUTER FLANGE 35		1				
003	224593-5	INNER FLANGE 35		1				
004	961155-5	RETAINING RING S-38		1				
005	266034-5	TAPPING SCREW CT 4X16		1				
006	345931-9	LEVER PLATE		1				
007	319188-8	SAFETY COVER		1				
008	231887-1	TENSION SPRING 4		1				
009	345391-5	THICKNESS RING		1				
010	326444-9	SPINDLE		1				
011	911226-8	PAN HEAD SCREW M5X18		2				
012	135947-0	BEARING BOX ASSEMBLY		1				
D10		INC. 19						
013	211129-9	BALL BEARING 6201DDW		1				
014	285852-2	BEARING RETAINER 19-33		1				
015	257173-2	RING 12		1				
016	221575-8	HELICAL GEAR 43		1				
017	961052-5	RETAINING RING S-12		1				
018	210028-2	BALL BEARING 606ZZ		1				
019	213560-5	O RING 44		1				
020	265117-8	+PAN HEAD SCREW M6X20		1				
021	262556-3	RUBBER SLEEVE 6		1				
022	144729-9	BLADE CASE COMPLETE		1				
C10	213415-4	O RING 28		1				
023	233117-6	COMPRESSION SPRING 6		1				
024	347284-2	SHAFT LOCK		1				
025	211131-2	BALL BEARING 6001DDW		1				
026	241876-8	FAN 76		1				
027	515433-1	ARMATURE ASSEMBLY 220V		1				
D10		INC. 25,26,28,29						
028	681644-1	INSULATION WASHER		1				
029	210005-4	BALL BEARING 608DDW		1				
030	253192-6	FLAT WASHER 14		1				
031	261109-5	RUBBER WASHER 13		1				
032	458033-3	BAFFLE PLATE		1				
033	266352-1	TAPPING SCREW 5X65		2				
034	594679-2	FIELD ASSY 220-240V		1				
C10	654020-2	RING TERMINAL		2				
C20	654501-6	CONNECTOR P-1.25		2				
C30	689055-4	RING TERMINAL RETAINER 15.5		2				

Please order the parts with part number.

Print Date 15/8/2021

Model No.HS7010 185/190MM CIRCULAR SAW

รายการ	รหัสอะไหล่	รายละเอียด	การ แลกเปลี่ยน	จำนวน	New/Old	ขาย	ซื้อ	ข้อความ
035	266326-2	TAPPING SCREW 4X18		5				
036	854A47-0	HS7010 NAME PLATE		1				
037	265104-7	PAN HEAD SCREW M5X40		3				
038	643750-0	BRUSH HOLDER CAP 7-11		2				
039	B-80379	CARBON BRUSH SET CB-303A		1				
040	144728-1	MOTOR HOUSING COMPLETE		1				
C10	643708-9	BRUSH HOLDER 5-11		2				
041	682574-9	CORD GUARD 10-90		1				
042	691015-4	POWER SUPPLY CORD 0.75-2-2.5		1				
043	687140-7	STRAIN RELIEF		1				
044	266326-2	TAPPING SCREW 4X18		2				
045	458032-5	HANDLE COVER		1				
046	651284-9	SWITCH SGEL115CDY-6		1				
049	346311-2	LEVER PLATE		1				
050	257953-6	BOW STOP RING E-12		1				
051	252199-9	HEX. NUT M8-13		1				
052	941201-0	FLAT WASHER 8		1				
054	266396-1	FLATHEAD SQUARENECKBOLT M8X24		1				
055	265754-8	THUMB SCREW M6X12		1				
056	161773-1	BASE		1				
057	265118-6	+ PAN HEAD SCREW M5		1				
058	942151-2	SPRING WASHER 6		1	*			
058-1	253428-3	SPRING WASHER 6	O	1	*			
059	941151-9	FLAT WASHER 6		1				
060	252103-8	HEX. LOCK NUT M5-8		1				
061	265754-8	THUMB SCREW M6X12		1				
062	233376-2	COMPRESSION SPRING 8		1				
063	941151-9	FLAT WASHER 6		1				
064	942151-2	SPRING WASHER 6		1	*			
064-1	253428-3	SPRING WASHER 6	O	1	*			
065	265754-8	THUMB SCREW M6X12		1				
A01	783217-7	HEX. WRENCH 5		1				
A02	A-80628	T.C.T.SAW BLADE 185X40TX20		1				
A03	164095-8	GUIDE RULE		1				

Please order the parts with part number.

Print Date 15/8/2021