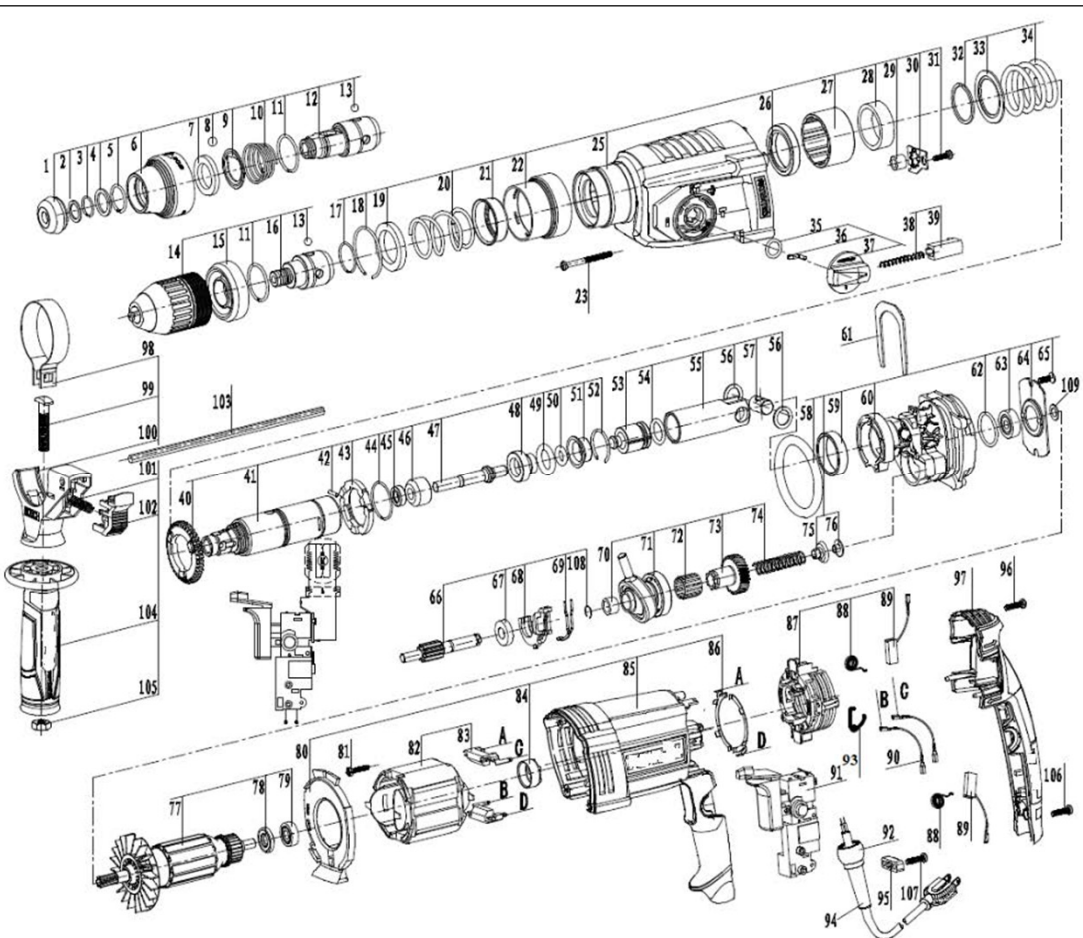
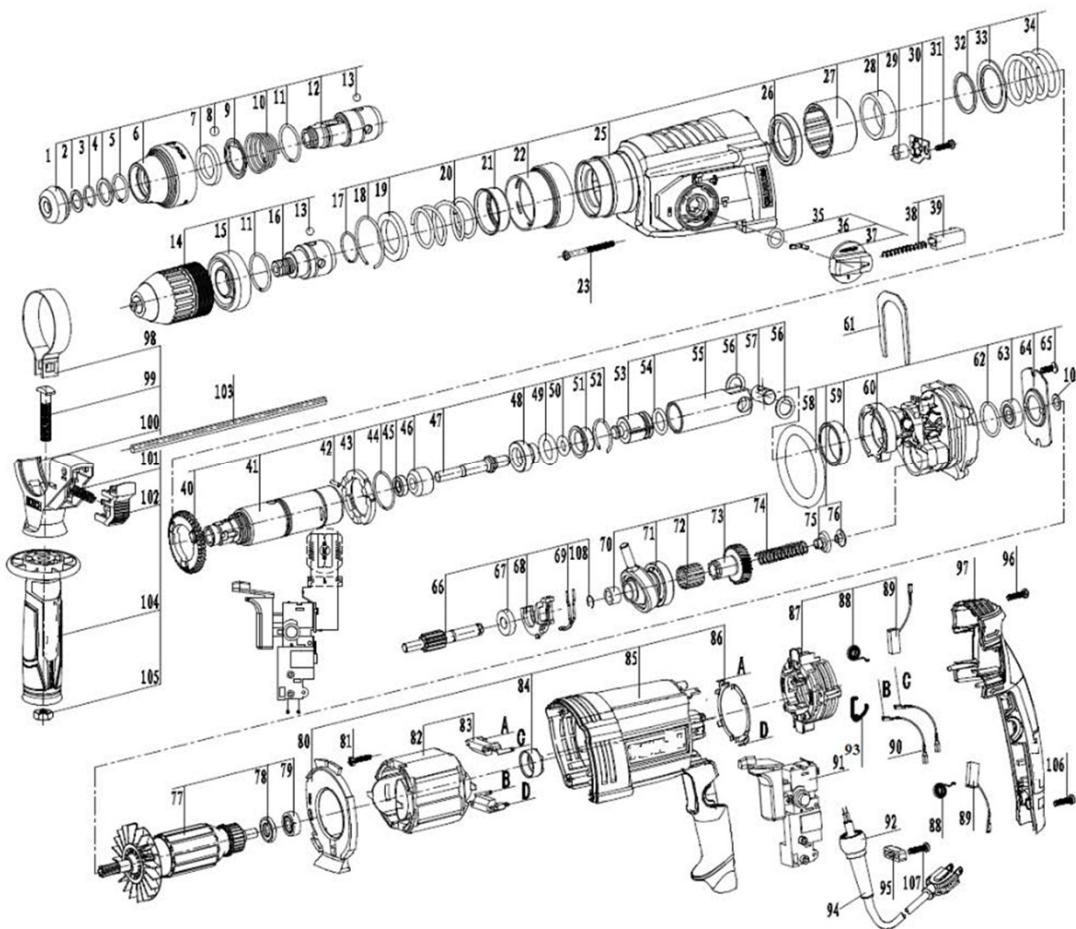


RGH9028-2



Item No.	Part No.	Part Description	Remark
RGH9028-2-EW			
RGH9028-2-SP-1-13	AA021001553	Short head	1pcs/1set
RGH9028-2-SP-1	AA021001151	Dust Cap	1pcs/1set
RGH9028-2-SP-2	AA021001250	Dust Cap Washer 9.3x13x0.5	1pcs/1set
RGH9028-2-SP-3	AA021001152	Snap Ringφ14x1.5	1pcs/1set
RGH9028-2-SP-4	AA021001153	Washer16x22x1.6	1pcs/1set
RGH9028-2-SP-5	AA021001154	Snap Ringφ19x2	1pcs/1set
RGH9028-2-SP-6	AA021001272	Protective Sleeve	1pcs/1set
RGH9028-2-SP-7	AA021001156	Washer21x32x4	1pcs/1set
RGH9028-2-SP-8	AA021001157	Steel BallC7.14	1pcs/1set
RGH9028-2-SP-9	AA021001158	Washer	1pcs/1set
RGH9028-2-SP-10	AA021001159	Spring	1pcs/1set
RGH9028-2-SP-11/13-16	AA021001554	Long head	1pcs/1set
RGH9028-2-SP-11	AA021001528	Snap Ring	2pcs/1set
RGH9028-2-SP-12	DD00011367	Drill Cover	1pcs/1set
RGH9028-2-SP-13	AA021001529	Steel Ball	4pcs/1set
RGH9028-2-SP-14	AA021001530	Keyless Chuck	1pcs/1set
RGH9028-2-SP-15	AA021001531	Connecting Bushing	1pcs/1set
RGH9028-2-SP-16	AA021001532	Chuck Adaptor	1pcs/1set
RGH9028-2-SP-17	AA021001533	Snap Ring	1pcs/1set
RGH9028-2-SP-18-22	DD00006885	Protection sleeve Ass'y	1pcs/1set
RGH9028-2-SP-18	AA021001534	Snap Ring	1pcs/1set
RGH9028-2-SP-19	AA021001535	Ring	1pcs/1set
RGH9028-2-SP-20	AA021001536	Spring	1pcs/1set
RGH9028-2-SP-21	AA021001537	Bushing	1pcs/1set
RGH9028-2-SP-22	AA021001538	Chuck Sleeve	1pcs/1set
RGH9028-2-SP-23	AA021001539	St4.1*45 Self Tapping Screw	4pcs/1set
RGH9028-2-SP-25-31	AA021001556	Cylinder Housing Ass'y	1pcs/1set
RGH9028-2-SP-25	AA021001273	Cylinder Housing	1pcs/1set
RGH9028-2-SP-26	AA021001168	Oil Seal 30*41*7	1pcs/1set
RGH9028-2-SP-27	AA021001169	BearingHK3012 Sleeve	1pcs/1set
RGH9028-2-SP-28	AA021001170	Needle BearingHK3012	1pcs/1set
RGH9028-2-SP-29	AA021001171	Needle BearingHK0709	1pcs/1set
RGH9028-2-SP-30	AA021001172	9 Dens Washer	1pcs/1set
RGH9028-2-SP-31	AA021001541	St3.9*14 Self Tapping Screw	1pcs/1set
RGH9028-2-SP-32-34/40-52	AA021001557	Drill Cover Ass'y	1pcs/1set
RGH9028-2-SP-32	AA021001174	Outer Flat Ring	1pcs/1set
RGH9028-2-SP-33	AA021001175	Washer30x43x1.5	1pcs/1set
RGH9028-2-SP-34	AA021001176	Spring	1pcs/1set
RGH9028-2-SP-35-39	AA021001525	Model Selector Ass'y	1pcs/1set
RGH9028-2-SP-35	AA021001177	Model Selector O Ringφ11x2.5	1pcs/1set
RGH9028-2-SP-36	AA021001178	Model Selector Iron Core	1pcs/1set
RGH9028-2-SP-37	AA021001274	Model Selector Knob	1pcs/1set
RGH9028-2-SP-38	AA021001180	Springφ5.8x44	1pcs/1set
RGH9028-2-SP-39	AA021001181	Model Selector Button	1pcs/1set
RGH9028-2-SP-40	AA021001182	40 Dens Big Gear	1pcs/1set
RGH9028-2-SP-41	DD00011346	Connecting Drill Cover	1pcs/1set
RGH9028-2-SP-42	AA021001185	Position Pinφ2.5x12	3pcs/1set
RGH9028-2-SP-43	AA021001186	Position Retaining Ring	1pcs/1set
RGH9028-2-SP-44	AA021001187	Steel Wire Ringφ28x1.5	1pcs/1set
RGH9028-2-SP-45	AA021001543	Oil Sea	1pcs/1set
RGH9028-2-SP-46	AA021001544	Thrust Ring	1pcs/1set
RGH9028-2-SP-47	AA021001545	Striker Shaft	1pcs/1set
RGH9028-2-SP-48	AA021001189	Spindle Set	1pcs/1set
RGH9028-2-SP-49	AA021001546	O Ring	1pcs/1set
RGH9028-2-SP-50	AA021001191	Position Limited O Ringφ9.6x3.5	1pcs/1set
RGH9028-2-SP-51	AA021001192	Position Limited Cover	1pcs/1set
RGH9028-2-SP-52	AA021001193	Inner Steel Wire Springφ28x2	1pcs/1set

RGH9028-2



Item No.	Part No.	Part Description	Remark
RGH9028-2-EW			
RGH9028-2-SP-53	AA021001194	Piston	1pcs/1set
RGH9028-2-SP-54	AA021001547	O Ring	1pcs/1set
RGH9028-2-SP-55	AA021001196	Cylinder	1pcs/1set
RGH9028-2-SP-56	AA021001197	Cylinder Pin Washer	2pcs/1set
RGH9028-2-SP-57	AA021001198	Cylinder Pin	1pcs/1set
RGH9028-2-SP-58-65/76	AA021001558	Holder Ass'y	1pcs/1set
RGH9028-2-SP-58	AA021001199	Bracket O Ringφ53x7	1pcs/1set
RGH9028-2-SP-59	AA021001200	Bracket Sleeve	1pcs/1set
RGH9028-2-SP-60	AA021001201	Bracket	1pcs/1set
RGH9028-2-SP-61	AA021001202	Bracket Pressure Fork	1pcs/1set
RGH9028-2-SP-62	AA021001548	O-Ring	1pcs/1set
RGH9028-2-SP-63	AA021001204	Bearing609	1pcs/1set
RGH9028-2-SP-64	AA021001205	Bearing Retainer	1pcs/1set
RGH9028-2-SP-65	AA021001549	M4*10 Screw	2pcs/1set
RGH9028-2-SP-66	AA021001207	Mid Axial	1pcs/1set
RGH9028-2-SP-67	AA021001208	Bearing699	1pcs/1set
RGH9028-2-SP-68/69	DD00002440	Model Selector Fork/Spring	1pcs/1set
RGH9028-2-SP-70	AA021001550	Needle Roller Bearing Hk0910	1pcs/1set
RGH9028-2-SP-71	AA021001212	Away Poled Bearing	1pcs/1set
RGH9028-2-SP-72	AA021001213	BearingK15	1pcs/1set
RGH9028-2-SP-73	AA021001214	Gear	1pcs/1set
RGH9028-2-SP-74	AA021001215	Gear Adjusting Spring	1pcs/1set
RGH9028-2-SP-75	AA021001216	Spring Seat(Plastic)	1pcs/1set
RGH9028-2-SP-76	AA021001217	Position Limited(Iron)Washer	1pcs/1set
RGH9028-2-SP-77	AA021001218	Rotor	1pcs/1set
RGH9028-2-SP-78	AA021001219	Insulation Washer	1pcs/1set
RGH9028-2-SP-79	AA021001220	Bearing 607Z	1pcs/1set
RGH9028-2-SP-80	AA021001221	Wind Guide	1pcs/1set
RGH9028-2-SP-81	AA021001551	ST3.5*14 Self Tapping Screw	2pcs/1set
RGH9028-2-SP-82	AA021001223	Stator	1pcs/1set
RGH9028-2-SP-83	AA021001224	Inductor	2pcs/1set
RGH9028-2-SP-84	AA021001225	Bearing Bush	1pcs/1set
RGH9028-2-SP-85	AA021001275	Gear Housing(Black)	1pcs/1set
RGH9028-2-SP-86	AA021001227	Switch Contact	2pcs/1set
RGH9028-2-SP-87	AA021001228	Carbon Brush Holder	1pcs/1set
RGH9028-2-SP-88	AA021001229	Spring	2pcs/1set
RGH9028-2-SP-89	AA021001230	Carbon Brush	2pcs/1set
RGH9028-2-SP-90	AA021001231	Stator Insert Line	2pcs/1set
RGH9028-2-SP-91	AA021W01276	Switch	1pcs/1set
RGH9028-2-SP-92	AA021001233	Cable2x1mm2 2M	1pcs/1set
RGH9028-2-SP-93	DD00004849	Torsion spring	2pcs/1set
RGH9028-2-SP-94	AA021001234	Rubber Sleeve	1pcs/1set
RGH9028-2-SP-95	AA021001235	Press Cable Board	1pcs/1set
RGH9028-2-SP-96	AA021001552	ST4.2*35 Self Tapping Screw	1pcs/1set
RGH9028-2-SP-97	AA021001277	Back Cover(021C)	1pcs/1set
RGH9028-2-SP-98	AA021001238	Handle Iron Ring	1pcs/1set
RGH9028-2-SP-99	AA021001239	T Screw	1pcs/1set
RGH9028-2-SP-100	AA021001240	Grip Base	1pcs/1set
RGH9028-2-SP-101	AA021001241	Depth Guage Lock Spring	1pcs/1set
RGH9028-2-SP-102	AA021001278	Depth Guage Lock	1pcs/1set
RGH9028-2-SP-103	AA021001243	Depth Gauge	1pcs/1set
RGH9028-2-SP-104	AA021001279	Auxiliary Handle	1pcs/1set
RGH9028-2-SP-105	AA021001245	Nut M8	1pcs/1set
RGH9028-2-SP-106	DD00004845	ST4.2*25 Screw	2pcs/1set
RGH9028-2-SP-107	DD00004846	ST4*16 Screw	2pcs/1set
RGH9028-2-SP-108	DD00004847	Mid Axial Spring	1pcs/1set
RGH9028-2-SP-109	DD00004848	Bearing Washer609	1pcs/1set