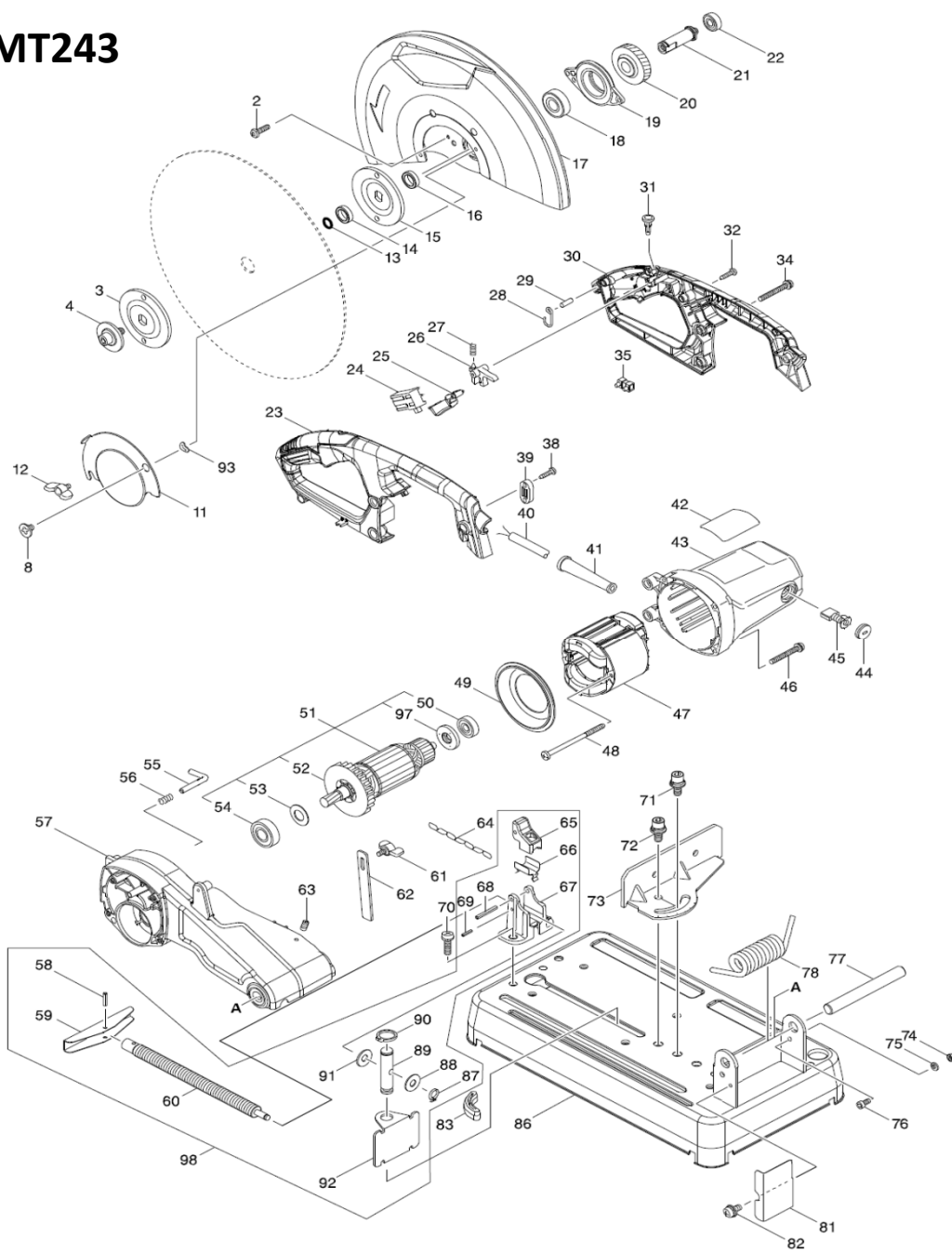


MT243



No.	CODE	DESCRIPTION	ราคาตั้ง	No.	CODE	DESCRIPTION	ราคาตั้ง
2	265122-5	PAN HEAD SCREW M5X20	70	53	267274-8	FLAT WASHER 15	70
3	224299-5	FLANGE 90	280	54	210156-3	BALL BEARING 6202ZZ	
4	251498-6	HEX SOCKET HEAD BOLT M10X25	180	55	322665-1	STOPPER	150
8	265121-7	+ FLAT HEAD SCREW J6	90	56	233372-0	COMPRESSION SPRING 7	70
11	347086-6	CENTER CAP	190	57	263029-9	RUBBER PIN 6	70
12	265754-8	THUMB SCREW M6X12	60	57	144057-2	GEAR HOUSING COMPLETE	1,730
13	213180-5	O RING 14	70	58	951163-4	SPRING PIN 5-20	50
14	257255-0	RING 17	70	59	271431-2	HANDLE 120	110
15	224299-5	FLANGE 90	280	60	326802-9	WISE SCREW	440
16	257255-0	RING 17	70	61	265754-8	THUMB SCREW M6X12	60
17	161531-5	SAFETY COVER	1,170	62	347084-0	STOPPER PLATE	80
18	210155-5	BALL BEARING 6203ZZ	160	63	251961-9	H.S.SET SCREW(FLAT POINT)M6X10	40
19	316527-3	BEARING BOX	660	64	282015-1	CHAIN	140
20	221462-1	HELICAL GEAR 43	500	65	313114-9	WISE NUT	250
21	326790-0	SPINDLE	230	66	347083-2	PLATE	70
22	210067-2	BALL BEARING 6000ZZ	150	67	319474-7	SCREW GUIDE	200
23	183E48-8	HANDLE SET	450	68	951175-7	SPRING PIN 5-36	80
24	651067-7	SWITCH	210	69	951110-5	SPRING PIN 4-16	30
25	418141-2	SWITCH LEVER	70	70	265125-9	PAN HEAD SCREW M8X30	70
26	418139-9	SWITCH LOCK	60	71	251499-4	H. S. HEAD BOLT M10X25 WITH WG	110
27	231397-8	COMPRESSION SPRING 4	50	72	251499-4	H. S. HEAD BOLT M10X25 WITH WG	110
28	281216-8	HANGER	70	73	345315-1	GUIDE PLATE	310
29	268101-2	PIN 6	70	74	931302-2	HEX. NUT M6	70
30	183E48-8	HANDLE SET	450	75	942151-2	SPRING WASHER 6	100
31	418138-1	SWITCH BUTTON	70	76	922312-0	HEX. SOCKET HEAD BOLT M6X12	110
32	266841-6	TAPPING SCREW 4X18	20	77	326801-1	ROD 16	210
34	265104-7	PAN HEAD SCREW M5X40	100	78	232325-6	TORSION SPRING 20	270
38	266841-6	TAPPING SCREW 4X18	20	81	345313-5	SPARK GUARD	130
39	687140-7	STRAIN RELIEF	40	82	265144-5	PAN HEAD SCREW M6X12	100
40	691788-9	POWER SUPPLY CORD 0.75-2-2.5		83	421834-2	CUSHION	90
41	682574-9	CORD GUARD 10-90	90	86	161528-4	BASE	1,770
43	144053-0	MOTOR HOUSING COMPLETE	820	87	961004-6	RETAINING RING S-8	20
44	644802-0	HOLDER CAP	60	88	267257-8	FLAT WASHER 8	70
45	B-80341	CARBON BRUSH SET CB-203A		89	256334-1	SHOULDER PIN 10-16	150
46	265104-7	PAN HEAD SCREW M5X40	100	90	961056-7	RETAINING RING S-16	40
47	593948-8	FIELD ASS'Y 220V		91	267257-8	FLAT WASHER 8	70
48	266328-8	TAPPING SCREW 5X80	100	92	347085-8	WISE PLATE	150
49	418143-8	BAFFLE PLATE	110	93	253903-9	WAVE WASHER 6	90
50	210070-3	BALL BEARING 6200ZZ	180	97	681630-2	INSULATION WASHER	150
51	513493-7	ARMATURE ASS'Y 220V		98	135841-6	WISE ASS'Y	1,120
52	240003-4	FAN 80	260	A01	783023-0	HEX. WRENCH 8	