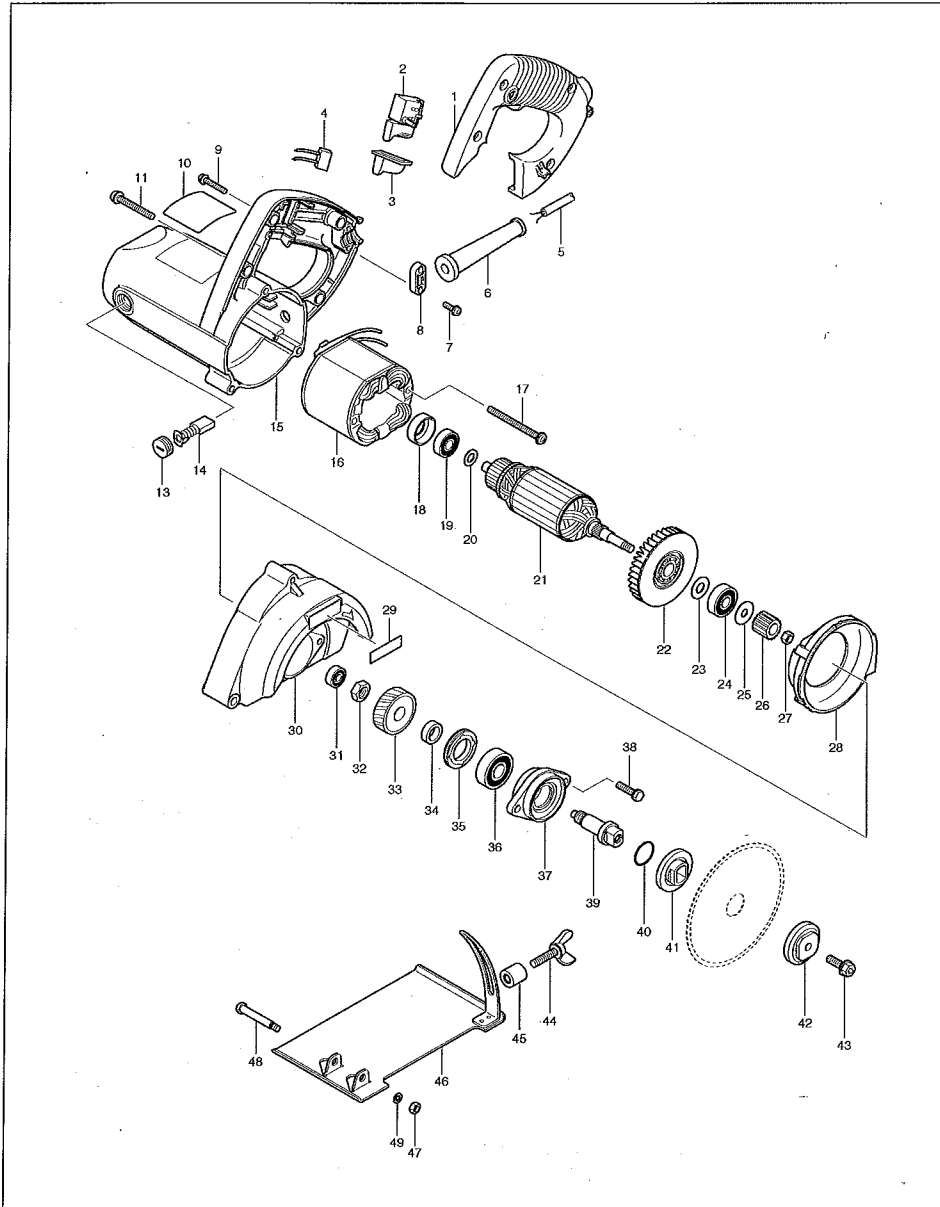


# SERVICE DRAWING

MODEL NO. MT410



# MODEL

# MT410

ITEM	PARTS ID	DESCRIPTION	PRICE/Baht
001	417809-7	HANDLE COVER	250
002	650209-0	SWITCH SGL206CDY	190
003	421812-2	DUST COVER	100
005	691284-7	POWER SUPPLY CORD 0.75-2-2.0	290
006	682569-2	CORD GUARD 8-85	110
007	265099-4	PAN HEAD SCREW M4X14	70
008	687124-5	STRAIN RELIEF	70
009	265101-3	PAN HEAD SCREW M4X25	110
011	265104-7	PAN HEAD SCREW M5X40	100
013	643750-0	BRUSH HOLDER CAP	70
015	153293-9	MOTOR HOUSING COMPLETE	730
017	265105-5	PAN HEAD SCREW M5X60	100
019	210029-0	BALL BEARING 608ZZ	130
020	681017-8	RESIN WASHER	70
022	240053-9	FAN 65	150
023	267237-4	FLAT WASHER 9	100
024	210042-8	BALL BEARING 629LLB	250
025	267239-0	FLAT WASHER 9	100
026	226552-5	HELICAL GEAR 15	140
027	252174-5	HEX. NUT M6	70
028	417810-2	BAFFLE PLATE	130
029	819125-7	MAKTEC LOGO LABEL	70
030	183468-6	BLADE CASE	650
031	210028-2	BALL BEARING 606ZZ	130
032	252170-3	HEX. NUT M10-17	110
033	226553-3	HELICAL GEAR 34	220
034	257173-2	RING 12	80
035	285840-9	BEARING RETAINER 19-33	150
036	211145-1	BALL BEARING 6201ZZ	180
037	317550-1	BEARING BOX	210
038	265497-2	+ HEX. BOLT M5X20	110
039	324221-3	SPINDLE	390
040	213279-6	O RING 18	100
041	224080-4	INNER FLANGE 36	340
042	224081-2	OUTER FLANGE 36	240
043	266286-8	HEX. SOCKET HEX. BOLT M6X18	90
044	265752-2	WING BOLT M6X25	110
045	262551-3	SLEEVE 6	90
046	165323-4	BASE	400
047	252175-3	HEX. NUT M5	70
048	265091-0	+ PAN HEAD SCREW M5	100
049	942101-7	SPRING WASHER 5	100
A01	781033-1	WRENCH 22	130
A02	783217-7	HEX. WRENCH 5	110