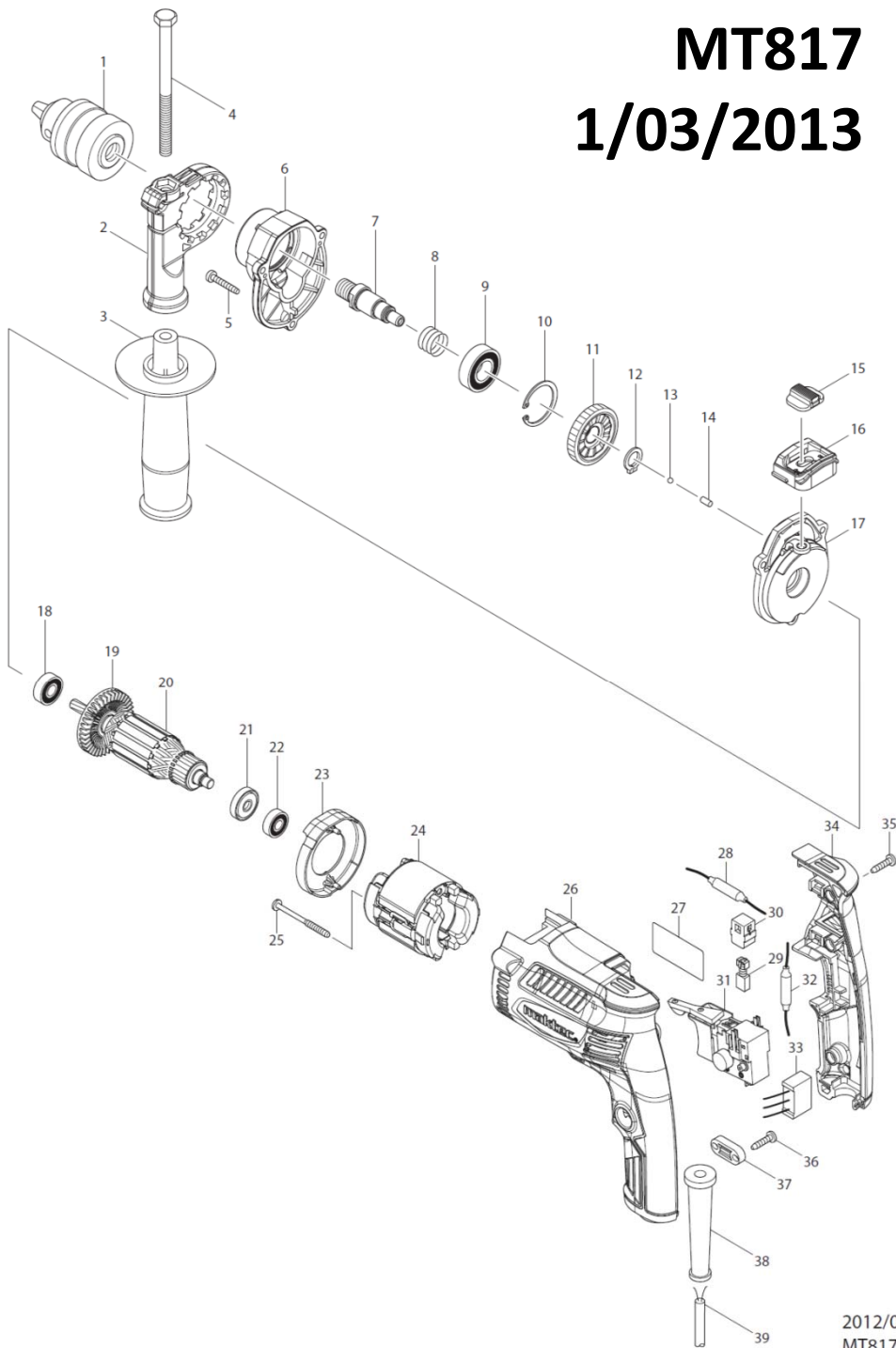


MT817

1/03/2013



2012/07
MT817

NO.	PARTS NO.	DESCRIPTION	ราคาตั้ง (บาท)
1	763161-4	DRILL CHUCK S13	700
2	454126-4	GRIP BASE	120
3	153503-4	GRIP 36 COMPLETE	170
4	265495-6	HEX. BOLT M8X110	110
5	266374-1	TAPPING SCREW 4X25	30
6	454115-9	GEAR HOUSING	170
7	326226-9	SPINDLE	260
8	233330-6	COMPRESSION SPRING 16	110
9	211247-3	BALL BEARING 6002DDW	170
10	962151-6	RETAINING RING R-32	90
11	227761-9	HELICAL GEAR 37	270
12	961082-6	RETAINING RING WR12	50
13	216001-0	STEEL BALL 3.5	20
14	256251-5	PIN 4	60
15	417819-4	CHANGE LEVER	60
16	454116-7	LEVER CASE	70
17	141899-5	CAM HOUSING COMPLETE	540
17	141745-2	CAM COMPLETE	230
18	210005-4	BALL BEARING 608DDW	240
19	240055-5	FAN 48	130
20	515868-6	ARMATURE ASS'Y 220V	
21	681652-2	INSULATION WASHER	60
22	210062-2	BALL BEARING 607ZZ	130
23	454119-1	BAFFLE PLATE	50
24	593803-4	FIELD ASS'Y 220-240V	
25	654228-8	RECEPTACLE	110
26	266467-4	TAPPING SCREW 4X50	50
27	454120-6	MOTOR HOUSING	700
29	B-80282	CARBON BRUSH SET CB-85A	
30	643566-3	BRUSH HOLDER 5X8	30
31	650555-1	SWITCH FA1-3/2BEZ-3	640
34	454121-4	HANDLE COVER	240
35	266326-2	TAPPING SCREW 4X18	30
36	266326-2	TAPPING SCREW 4X18	30
37	687124-5	STRAIN RELIEF	70
38	682569-2	CORD GUARD 8-85	110
39	691284-7	POWER SUPPLY CORD 0.75-2-2.0	290
A01	418163-2	KEY HOLDER 10	60
A02	763441-8	CHUCK KEY S13	180