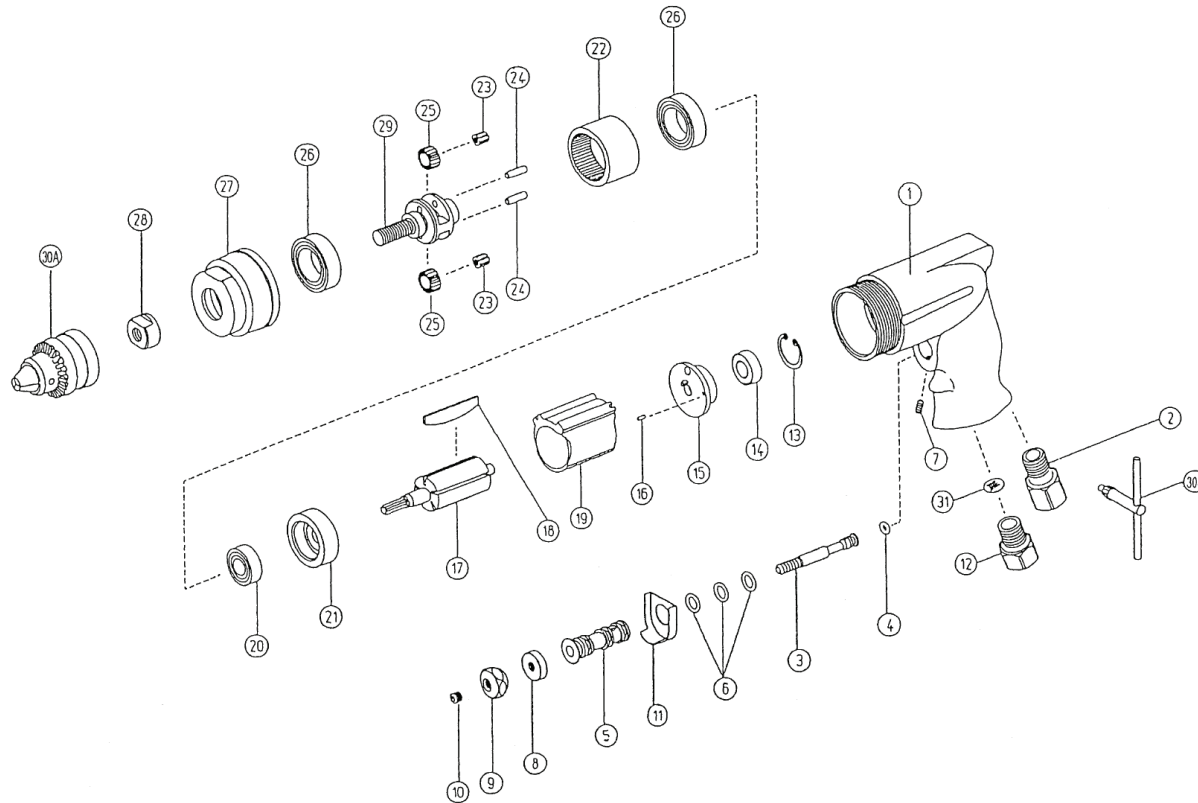


MD-10L Air drill

KT-code: T111-0480



No.	KT-Code	Part no.	Description	Required Q'ty
001		Y50112010	Casing	1 pc
001A		Y5011201A	Casing CP (w/no.1-12,31)	1 pc
002		Y50110020	Air inlet bush	1 pc
003		Y50112030	Throttle valve	1 pc
003A		Y5011203A	Throttle valve CP (w/no.3-6,8-10)	1 pc
004		Y50110040	O-ring P-4	1 pc
005		Y50112050	Throttle valve bush	1 pc
006		Y50110060	O-ring P-8	3 pcs
007		Y50110080	Hex bolt M4x8	1 pc
008		Y50110090	Lock nut	1 pc
009		Y50110100	Trigger	1 pc
010		Y50110110	Set screw	1 pc
011		Y50112110	Throttle valve guide	1 pc
012		Y50110140	Silencer	1 pc
013		Y50110150	Snap ring H-19	1 pc
014		Y50110160	Bearing 626ZZ	1 pc
015		Y50110170	Rear end plate	1 pc
016		Y50110180	Spring pin 2x5	1 pc
017		Y50110190	Rotor	1 pc
018	T112-4400	Y50110200	Vane (ราคาเป็น ส่วน/ชุด)	5 pcs
019		Y50112210	Cylinder	1 pc
020		Y50110220	Bearing 608Z	1 pc
021		Y50110230	Front end plate	1 pc
022		Y50110240	Gear rim	1 pc
023		Y50110250	Bearing KT-477	2 pcs
024		Y50110260	Axcel pin	2 pcs
025	T112-4410	Y50110270	Gear wheel	2 pcs
026		Y31122310	Bearing 6002Z	2 pcs
027		Y50110290	Front part	1 pc
028		Y50110300	Spacer	1 pc
029		Y50110310	Planet shaft	1 pc
030		Y50110320	Chuck CP (w/no.30A,30B)	1 pc
030A		Y5011032A	Chuck 10mm (#31904)	1 pc
030B		Y5011032B	Chuck key (KG1-SP)	1 pc
031		Y50112310	Filter	1 pc