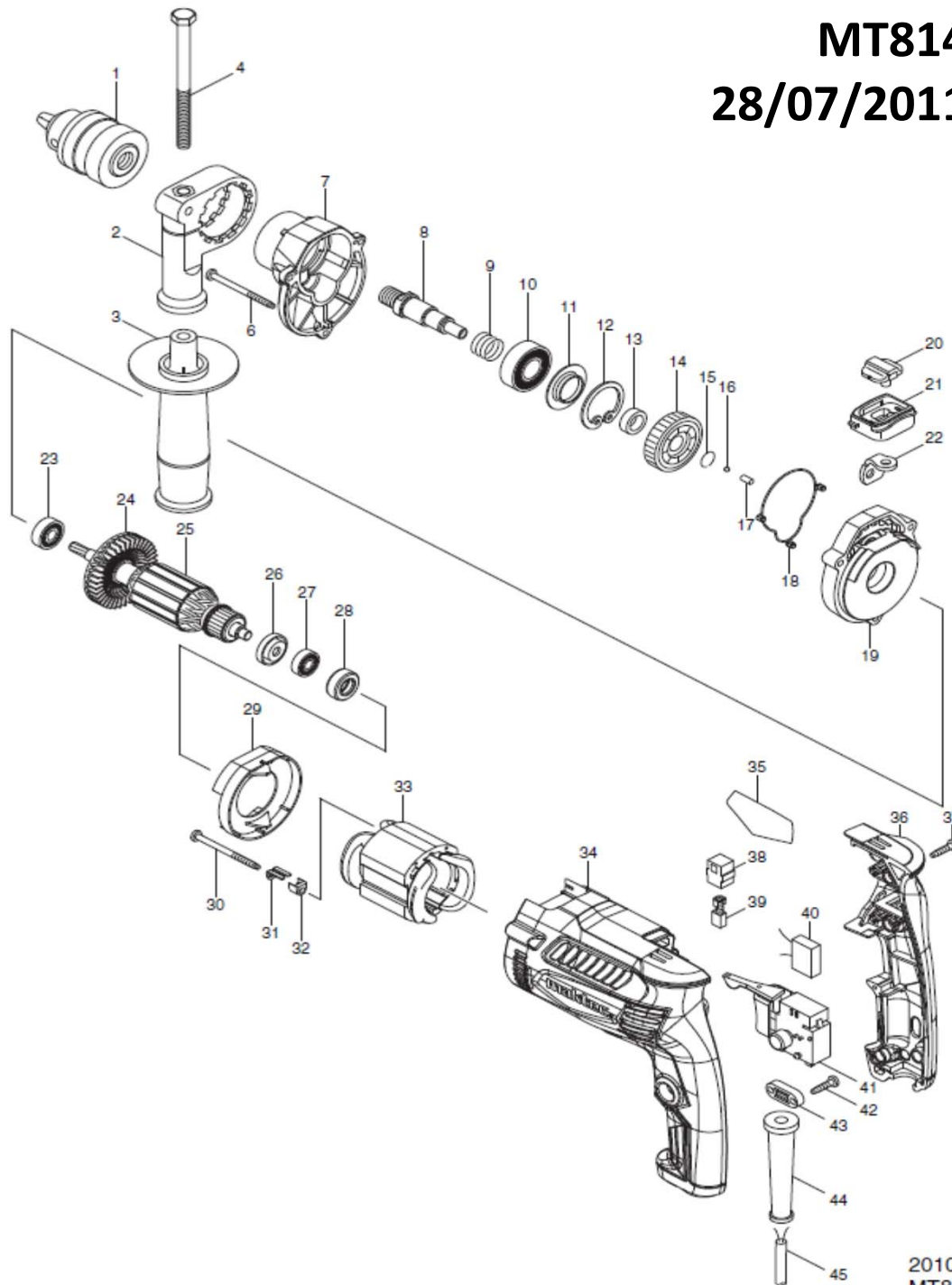


# MT814

## 28/07/2011



2010/01  
MT814

NO.	PARTS NO.	DESCRIPTION	ราคาตั้ง (บาท)
001	763161-4	DRILL CHUCK S13	700
002	417822-5	GRIP BASE	130
003	153503-4	GRIP 36 COMPLETE	170
004	265495-6	HEX. BOLT M8X110	110
006	266361-0	TAPPING SCREW 4X30	70
007	451907-7	GEAR HOUSING	180
008	324223-9	SPINDLE	350
009	233330-6	COMPRESSION SPRING 16	110
010	211241-5	BALL BEARING 6202DDW	180
011	257246-1	RING 19	100
012	962153-2	RETAINING RING R-35	80
013	257173-2	RING 12	80
014	226589-2	HELICAL GEAR 37	230
015	233938-6	RING SPRING 12	
016	216001-0	STEEL BALL 3.5	20
017	256251-5	PIN 4	60
018	424112-9	SEAL RING	50
019	140426-5	GEAR HOUSING COVER COMPLETE	90
020	417819-4	CHANGE LEVER	60
021	451908-5	LEVER CASE	90
022	345944-0	CHANGE PLATE	80
023	211031-6	BALL BEARING 608LLB	190
024	241869-5	FAN 55	220
025	510163-9	ARMATURE ASSEMBLY 220V	
026	681636-0	INSULATION WASHER	60
027	210062-2	BALL BEARING 607ZZ	130
028	421808-3	RUBBER RING 19	100
029	450620-4	BAFFLE PLATE	80
030	266415-3	TAPPING SCREW 4X55	40
031	344871-8	RETAINER	80
032	417237-6	INSULATION COVER	100
033	626603-8	FIELD 220V	
034	451905-1	MOTOR HOUSING	660
035	868126-2	MT814 NAME PLATE	
036	263002-9	RUBBER PIN 4	30
036	140427-3	HANDLE COVER COMPLETE	310
037	266326-2	TAPPING SCREW 4X18	30
038	643563-9	BRUSH HOLDER 5X8	90
039	B-80282	CARBON BRUSH SET CB-85A	
041	650586-0	SWITCH DGQ-1104H	880
042	266326-2	TAPPING SCREW 4X18	30
043	687124-5	STRAIN RELIEF	70
044	682569-2	CORD GUARD 8-85	110
045	691284-7	POWER SUPPLY CORD 0.75-2-2.0	290
A01	321144-6	DEPTH GAUGE	100
A02	418163-2	KEY HOLDER 10	60
A03	763441-8	CHUCK KEY S13	180