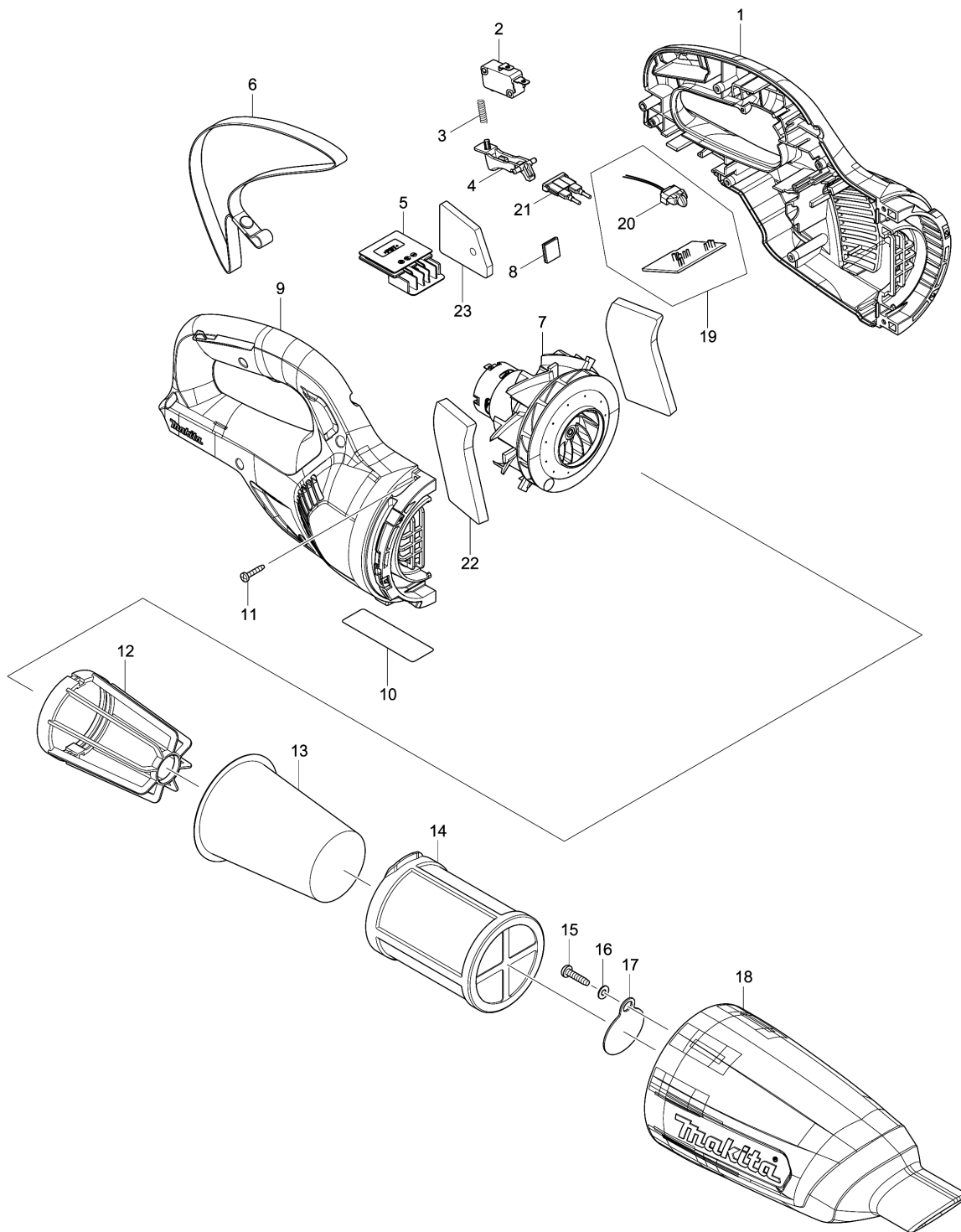


Model No.CL106FD CORDLESS CLEANER



Model No.CL106FD CORDLESS CLEANER

รายการ	รหัสอะไหล่	รายละเอียด	การ แลกเปลี่ยน	จำนวน	New/Old	ขาย	ซื้อ	ข้อความ
001A	183E86-0	HOUSING SET		1				
001B	183E88-6	HOUSING SET		1				
001C	183E88-6	HOUSING SET		1				
001D	183E86-0	HOUSING SET		1				
001E	183E88-6	HOUSING SET		1				
001F	183E88-6	HOUSING SET		1				
D10		INC. 9						
002	650744-8	SWITCH D3V-16-3C26		1				
003	231473-8	COMPRESSION SPRING 4		1				
004	455743-3	SWITCH LEVER		1				
005	644813-5	TERMINAL		1				
006	163400-6	HANDSTRAP		1				
007	123849-2	MOTOR ASSEMBLY		1				
008	424248-4	SPONGE SHEET 15-25		1				
009A	183E86-0	HOUSING SET		1				
009B	183E88-6	HOUSING SET		1				
009C	183E88-6	HOUSING SET		1				
009D	183E86-0	HOUSING SET		1				
009E	183E88-6	HOUSING SET		1				
009F	183E88-6	HOUSING SET		1				
D10		INC. 1						
010	852S17-1	CL106FD NAME PLATE		1				
011	266429-2	TAPPING SCREW 3X16		7				
012	410237-5	STAY		1	*			
012-1	458467-0	STAY	<	1				
013	443060-3	FILTER		1				
014	451208-3	PRE-FILTER		1				
015	265995-6	TAPPING SCREW 4X18		1				
016	941051-3	FLAT WASHER 4		1				
017	424208-6	VALVE		1				
018A	457145-9	CAPSULE		1				
018B	457281-1	CAPSULE		1				
018C	457281-1	CAPSULE		1				
018D	457145-9	CAPSULE		1				
018E	457281-1	CAPSULE		1				
018F	457281-1	CAPSULE		1				
019	632H48-8	CONTROLLER UNIT		1	*			
D10		INC. 20			*			
019-1	632R92-5	CONTROLLER UNIT	<	1				
D10		INC. 20						

Please order the parts with part number.

Print Date 24/8/2021

Model No.CL106FD CORDLESS CLEANER

รายการ	รหัสอะไหล่	รายละเอียด	การ แลกเปลี่ยน	จำนวน	New/Old	ขาย	ซื้อ	ข้อความ
020	620601-4	LED CIRCUIT		1	*			
020-1	620E97-9	LED CIRCUIT	<	1				
021	632H63-2	FUSE UNIT		1				
022	424913-5	SPONGE SHEET 35-70		2				
023	422150-5	SPONGE SHEET 38-43		1				
024	422268-2	SPONGE SHEET 57		1				
A01A	123486-2	FLOOR T-NOZZLE 28 WHI		1				
A01B	123488-8	FLOOR T-NOZZLE 28 BLU		1				
A01C	123488-8	FLOOR T-NOZZLE 28 BLU		1				
A01D	123486-2	FLOOR T-NOZZLE 28 WHI		1				
A01E	123488-8	FLOOR T-NOZZLE 28 BLU		1				
A01F	123488-8	FLOOR T-NOZZLE 28 BLU		1				
C10	451410-8	ROLLER		4				
C20	268208-4	PIN 3		4				
C30	424096-1	WIPER		1				
A02A	451240-7	SASH NOZZLE 28 WHI		1				
A02B	451243-1	SASH NOZZLE 28 BLU		1				
A02C	451243-1	SASH NOZZLE 28 BLU		1				
A02D	451240-7	SASH NOZZLE 28 WHI		1				
A02E	451243-1	SASH NOZZLE 28 BLU		1				
A02F	451243-1	SASH NOZZLE 28 BLU		1				
A03A	451241-5	PIPE		1				
A03B	451244-9	PIPE		1				
A03C	451244-9	PIPE		1				
A03D	451241-5	PIPE		1				
A03E	451244-9	PIPE		1				
A03F	451244-9	PIPE		1				
A04A	451242-3	SASH NOZZLE HOLDER		1				
A04B	451245-7	SASH NOZZLE HOLDER		1				
A04C	451245-7	SASH NOZZLE HOLDER		1				
A04D	451242-3	SASH NOZZLE HOLDER		1				
A04E	451245-7	SASH NOZZLE HOLDER		1				
A04F	451245-7	SASH NOZZLE HOLDER		1				
A05B	197406-2	BATTERY BL1041B SET		1	*			
A05D	197406-2	BATTERY BL1041B SET		1	*			
A05E	197396-9	BATTERY BL1021B SET		1	*			
A05F	197393-5	BATTERY BL1016 SET		1	*			
A05-1B	199289-6	BATTERY BL1041B SET	<	1	*			
A05-1D	199289-6	BATTERY BL1041B SET	<	1	*			
A05-1E	199290-1	BATTERY BL1021B SET	<	1	*			

Please order the parts with part number.

Print Date 24/8/2021

Model No.CL106FD CORDLESS CLEANER

รายการ	รหัสอะไหล่	รายละเอียด	การ แลกเปลี่ยน	จำนวน	New/Old	ขาย	ซื้อ	ข้อความ
A05-1F	199291-9	BATTERY BL1016 SET	<	1	*			
A05-2B	199289-6	BATTERY BL1041B SET	<	1				
A05-2D	199289-6	BATTERY BL1041B SET	<	1				
A05-2E	199290-1	BATTERY BL1021B SET	<	1				
A05-2F	199291-9	BATTERY BL1016 SET	<	1				
A06B	456128-6	BATTERY COVER		1				
A06D	456128-6	BATTERY COVER		1				
A06E	456128-6	BATTERY COVER		1				
A06F	456128-6	BATTERY COVER		1				
A07B	***DC10WD	DC10WD BATTERY CHARGER		1				
D10		COMPO-PARTS						
A07D	***DC10WD	DC10WD BATTERY CHARGER		1				
D10		COMPO-PARTS						
A07E	***DC10WD	DC10WD BATTERY CHARGER		1				
D10		COMPO-PARTS						
A07F	***DC10WD	DC10WD BATTERY CHARGER		1				
D10		COMPO-PARTS						

Please order the parts with part number.

Print Date 24/8/2021