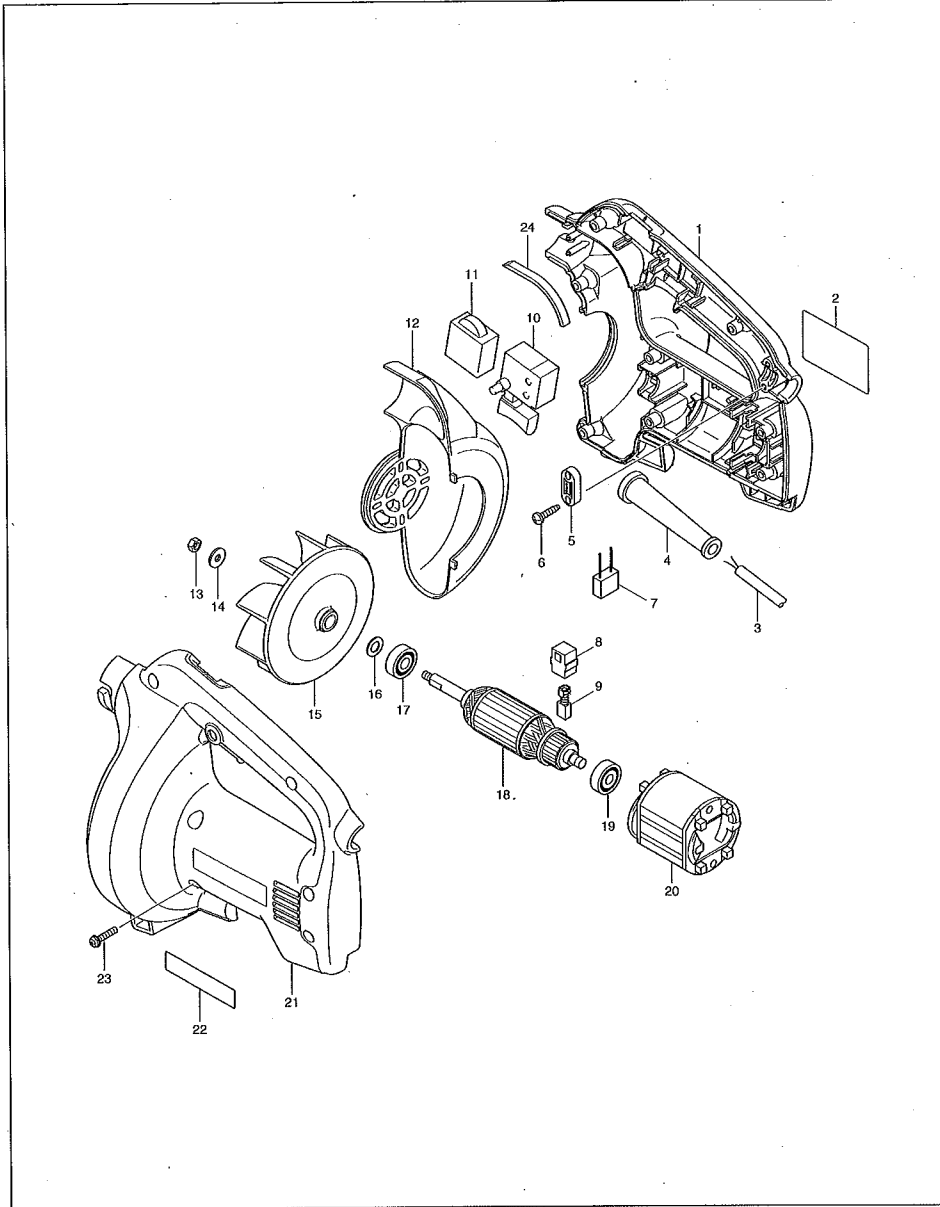


## SERVICE DRAWING

MODEL NO. MT400



## MODEL

## MT400

ITEM	PARTS ID	DESCRIPTION	PRICE/Baht
001	188004-3	HOUSING SET	710
002	861451-0	MT400 NAME PLATE	80
003	691284-7	POWER SUPPLY CORD 0.75-2-2.0	290
004	682569-2	CORD GUARD 8-85	110
005	687124-5	STRAIN RELIEF	70
006	266326-2	TAPPING SCREW 4X18	30
008	643563-9	BRUSH HOLDER 5X8	90
010	650217-1	SWITCH FA1-6/1B-1	250
011	631672-6	CONTROLLER	400
012	418899-3	INNER HOUSING	170
013	252103-8	HEX. LOCK NUT M5-8	110
014	267294-2	FLAT WASHER 5	70
015	240077-5	FAN 100	220
016	267240-5	FLAT WASHER 8	100
017	210029-0	BALL BEARING 608ZZ	130
019	210030-5	BALL BEARING 627ZZ	150
021	188004-3	HOUSING SET	710
022	819141-9	MAKTEC LOGO LABEL	70
023	265107-1	PAN HEAD SCREW M4X20	70
024	421941-1	PACKING	180
A01	418919-3	SASH NOZZLE	120
A02	418920-8	JOINT	110
A03	421905-5	NOZZLE	220