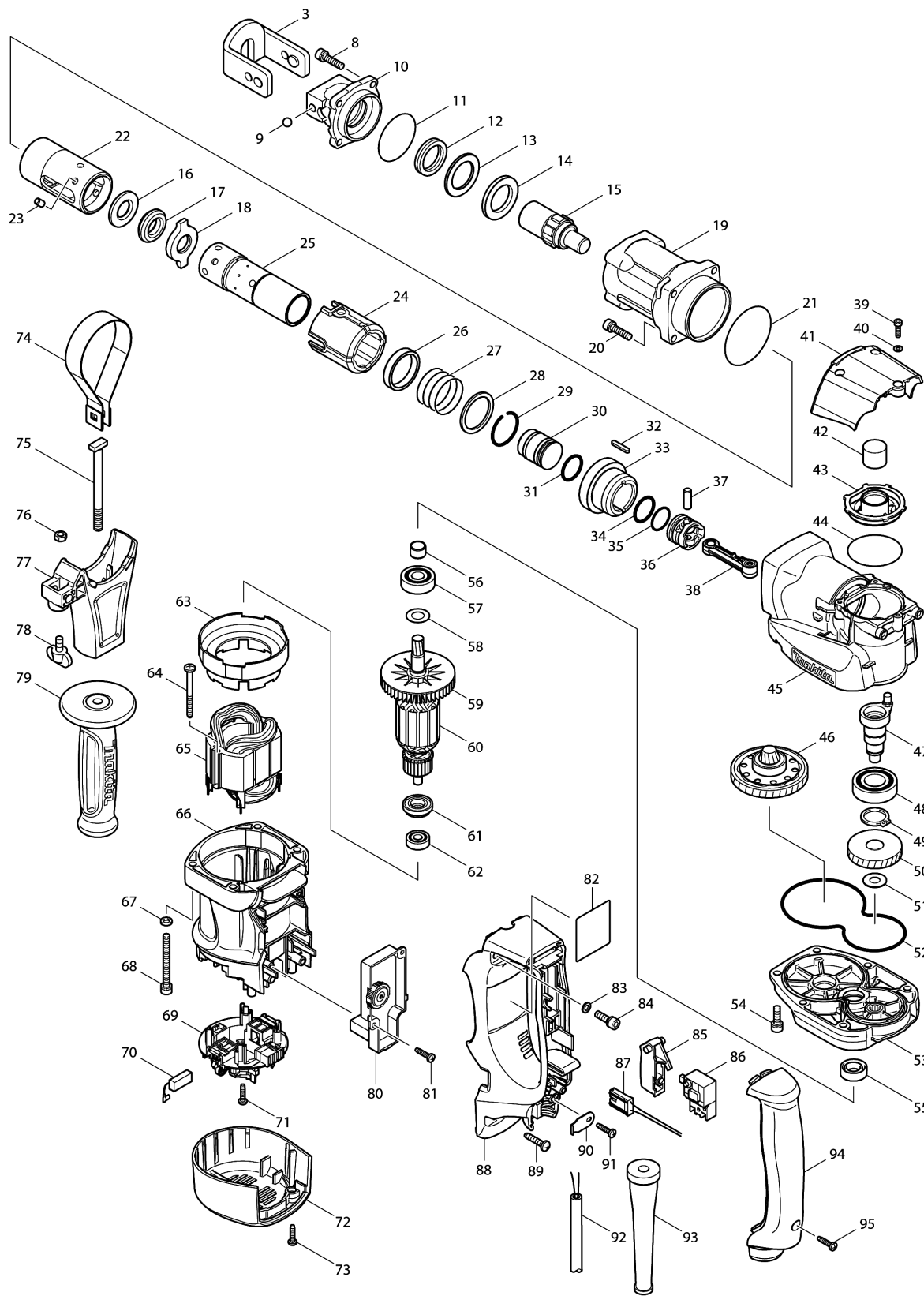


Model No.HR4030C ROTARY HAMMER 40MM



Model No.HR4030C ROTARY HAMMER 40MM

| รายการ | รหัสอะไหล่ | รายละเอียด | การ แลกเปลี่ยน | จำนวน | New/Old | ขาย | ซื้อ | ข้อความ |
|--------|------------|--------------------------------|-------------------|-------|---------|-----|------|---------|
| 003 | 165227-0 | TOOL RETAINER | | 1 | | | | |
| 008 | 265914-2 | HEX. SOCKET HEAD BOLT M6X25 | | 4 | | | | |
| 009 | 216004-4 | STEEL BALL 7.9 | | 1 | | | | |
| 010 | 324728-9 | TOOL HOLDER | | 1 | | | | |
| 011 | 213606-7 | O RING 48 | | 1 | | | | |
| 012 | 213428-5 | X RING 28 | | 1 | | | | |
| 013 | 261133-8 | NYLON WASHER 29 | | 1 | | | | |
| 014 | 267338-8 | FLAT WASHER 29 | | 1 | | | | |
| 015 | 324723-9 | IMPACT BOLT | | 1 | | | | |
| 016 | 324726-3 | WASHER 17 | | 1 | | | | |
| 017 | 262119-5 | RUBBER RING 18 | | 1 | | | | |
| 018 | 324724-7 | SLIDE PLATE | | 1 | | | | |
| 019 | 158117-4 | BARREL COMPLETE | | 1 | | | | |
| 020 | 266158-7 | HEX. SOCKET HEAD BOLT M6X30 | | 4 | | | | |
| 021 | 213654-6 | O RING 60 | | 1 | | | | |
| 022 | 331730-5 | CYLINDER A | | 1 | | | | |
| 023 | 256266-2 | PIN 6 | | 4 | | | | |
| 024 | 419670-8 | SLIDE SLEEVE | | 1 | | | | |
| 025 | 331731-3 | CYLINDER B | | 1 | | | | |
| 026 | 331732-1 | RING 34 | | 1 | | | | |
| 027 | 234016-5 | COMPRESSION SPRING 35 | | 1 | | | | |
| 028 | 267339-6 | FLAT WASHER 34 | | 1 | | | | |
| 029 | 233945-9 | RING SPRING 32 | | 1 | | | | |
| 030 | 324725-5 | STRIKER | | 1 | | | | |
| 031 | 213962-5 | O RING 22 | | 1 | | | | |
| 032 | 254231-5 | KEY 4 | | 2 | | | | |
| 033 | 227508-1 | SPIRAL BEVEL GEAR 27 | | 1 | | | | |
| 034 | 213962-5 | O RING 22 | | 1 | | | | |
| 035 | 213379-2 | O RING 21 | | 1 | | | | |
| 036 | 419004-5 | PISTON | | 1 | | | | |
| 037 | 256197-5 | PIN 7 | | 1 | | | | |
| 038 | 419679-0 | CONNECTING ROD | | 1 | | | | |
| 039 | 266148-0 | HEX. SOCKET HEAD BOLT M4X14 | | 3 | * | | | |
| 039-1 | 251590-8 | HEX. SOCKET HEAD BOLT M4X14 | S | 3 | | | | |
| 040 | 941052-1 | FLAT WASHER 4 | | 3 | * | | | |
| 041 | 419672-4 | CRANK CAP COVER | | 1 | | | | |
| 042 | 443127-7 | FILTER | | 1 | | | | |
| 043 | 419671-6 | CRANK CAP | | 1 | | | | |
| 044 | 213604-1 | O RING 50 | | 1 | | | | |

Please order the parts with part number.

Print Date 14/8/2021

Model No.HR4030C ROTARY HAMMER 40MM

| รายการ | รหัสอะไหล่ | รายละเอียด | การ แลกเปลี่ยน | จำนวน | New/Old | ขาย | ซื้อ | ข้อความ |
|--------|------------|--------------------------------|-------------------|-------|---------|-----|------|---------|
| 045 | 158118-2 | CRANK HOUSING COMPLETE | | 1 | | | | |
| 046 | 125375-7 | TORQUE LIMITER ASS'Y | | 1 | | | | |
| 047 | 324550-4 | CRANK SHAFT | | 1 | | | | |
| 048 | 211332-2 | BALL BEARING 6004LLU | | 1 | | | | |
| 049 | 961060-6 | RETAINING RING S-20 | | 1 | | | | |
| 050 | 226642-4 | HELICAL GEAR 38 | | 1 | | | | |
| 051 | 253180-3 | FLAT WASHER 10 | | 1 | | | | |
| 052 | 421976-2 | SEAL RING | | 1 | | | | |
| 053 | 158119-0 | GEAR HOUSING COMPLETE | | 1 | | | | |
| 054 | 922331-6 | HEX. SOCKET HEAD BOLT M6X20 | | 2 | | | | |
| 055 | 213231-4 | OIL SEAL 15 | | 1 | | | | |
| 056 | 331596-3 | SLEEVE 12 | | 1 | | | | |
| 057 | 211137-0 | BALL BEARING 6201LLU | | 1 | | | | |
| 058 | 253084-9 | FLAT WASHER 12 | | 1 | | | | |
| 059 | 241863-7 | FAN 70 | | 1 | | | | |
| 060 | 513693-9 | ARMATURE ASS'Y 220-240V | | 1 | | | | |
| D10 | | INC. 59,61,62 | | | | | | |
| 061 | 681650-6 | INSULATION WASHER | | 1 | | | | |
| 062 | 210005-4 | BALL BEARING 608DDW | | 1 | | | | |
| 063 | 419673-2 | BAFFLE PLATE | | 1 | | | | |
| 064 | 266095-5 | TAPPING SCREW 5X55 | | 2 | | | | |
| 065 | 625758-6 | FIELD 220-240V | | 1 | | | | |
| 066 | 419674-0 | MOTOR HOUSING | | 1 | | | | |
| 067 | 941151-9 | FLAT WASHER 6 | | 4 | * | | | |
| 068 | 922381-1 | HEX. SOCKET HEAD BOLT M6X60 | | 4 | * | | | |
| 068-1 | 922384-5 | H.S.H.BOLT M6X60 WITH WG | S | 4 | | | | |
| 069 | 638501-4 | BRUSH HOLDER UNIT | | 1 | | | | |
| C10 | 643816-6 | BRUSH HOLDER | | 2 | | | | |
| C20 | 266007-8 | TAPPING SCREW BIND PT 3X10 | | 4 | | | | |
| 070 | 194160-9 | CARBON BRUSH CB-350 | | 1 | * | | | |
| 070-1 | 195004-6 | CARBON BRUSH SET CB-350 | < | 1 | | | | |
| 071 | 265995-6 | TAPPING SCREW 4X18 | | 4 | | | | |
| 072 | 419675-8 | REAR COVER | | 1 | | | | |
| 073 | 265995-6 | TAPPING SCREW 4X18 | | 2 | | | | |
| 074 | 345763-4 | GRIP SPRING 66 | | 1 | | | | |
| 075 | 266406-4 | SQUARE BOLT M8X95 | | 1 | * | | | |
| 075-1 | 266322-0 | SQUARE BOLT M8X80 | S | 1 | * | | | |
| 075-2 | 266322-0 | SQUARE BOLT M8X80 | < | 1 | | | | |
| 076 | 931302-2 | HEX. NUT M6 | | 1 | | | | |

Please order the parts with part number.

Print Date 14/8/2021

Model No.HR4030C ROTARY HAMMER 40MM

| รายการ | รหัสอะไหล่ | รายละเอียด | การ แลกเปลี่ยน | จำนวน | New/Old | ขาย | ซื้อ | ข้อความ |
|--------|------------|-----------------------------------|-------------------|-------|---------|-----|------|---------|
| 077 | 419678-2 | SIDE GRIP BASE 66 | | 1 | * | | | |
| 077-1 | 450332-9 | SIDE GRIP BASE 66 | S | 1 | | | | |
| 078 | 265701-9 | THUMB SCREW M6X14 | | 1 | | | | |
| 079 | 158131-0 | GRIP 36 COMPLETE | | 1 | | | | |
| 080 | 631742-1 | CONTROLLER | | 1 | | | | |
| 081 | 265995-6 | TAPPING SCREW 4X18 | | 2 | * | | | |
| 081-1 | 266300-0 | TAPPING SCREW 4X18 | < | 2 | | | | |
| 082 | 863282-3 | HR4030C NAME PLATE | | 1 | | | | |
| 083 | 941152-7 | FLAT WASHER 6 | | 2 | * | | | |
| 084 | 922331-6 | HEX. SOCKET HEAD BOLT M6X20 | | 2 | * | | | |
| 084-1 | 265905-3 | HEX. SOCKET HEAD BOLT M6X20 | < | 2 | * | | | |
| 084-2 | 251591-6 | HEX.SOCKET HEAD BOLT M6X20 | S | 2 | | | | |
| 085 | 418549-0 | SWITCH LEVER | | 1 | | | | |
| 086 | 651922-3 | SWITCH TG71B | | 1 | * | | | |
| 086-1 | 650677-7 | SWITCH C3PA-1112 | < | 1 | * | | | |
| 086-2 | 651922-3 | SWITCH TG71B | < | 1 | * | | | |
| 086-3 | 650677-7 | SWITCH C3PA-1112 | < | 1 | | | | |
| 087 | 638509-8 | LEAD UNIT | | 1 | | | | |
| 088 | 158263-3 | HANDLE COMPLETE | | 1 | | | | |
| 089 | 266041-8 | TAPPING SCREW 5X25 | | 2 | | | | |
| 090 | 687169-3 | STRAIN RELIEF | | 1 | | | | |
| 091 | 265995-6 | TAPPING SCREW 4X18 | | 1 | | | | |
| 092 | 691025-1 | POWER SUPPLY CORD 0.75- 2-5.0 | | 1 | | | | |
| 093 | 682560-0 | CORD GUARD 10 | | 1 | | | | |
| 094 | 419677-4 | HANDLE COVER | | 1 | | | | |
| 095 | 265995-6 | TAPPING SCREW 4X18 | | 1 | | | | |
| A01 | 158280-3 | PLASTIC CARRYING CASE COMPLETE | | 1 | * | | | |
| C10 | 162202-7 | LATCH | | 2 | * | | | |
| C20 | 416549-4 | HANDLE | | 1 | * | | | |
| C30 | 416556-7 | COVER | | 2 | * | | | |
| C40 | 819140-1 | MAKITA LOGO LABEL | | 1 | * | | | |
| C50 | 810960-6 | CAUTION LABEL | | 1 | * | | | |
| A01-1 | 824796-7 | PLASTIC CARRYING CASE | < | 1 | | | | |
| C10 | 162202-7 | LATCH | | 2 | | | | |
| C20 | 416549-4 | HANDLE | | 1 | | | | |
| C30 | 416556-7 | COVER | | 2 | | | | |
| C40 | 819140-1 | MAKITA LOGO LABEL | | 1 | | | | |
| A02 | 321248-4 | DEPTH GAUGE | | 1 | | | | |
| A03 | 805218-6 | HR4030C MODEL NO.LABEL | | 1 | | | | |

Please order the parts with part number.

Print Date 14/8/2021

Model No.HR4030C ROTARY HAMMER 40MM

| รายการ | รหัสอะไหล่ | รายละเอียด | การ แลก เปลี่ยน | จำนวน | New/Old | ขาย | ชื่อ | ข้อความ |
|--------|------------|-------------------------|-----------------------|-------|---------|-----|------|---------|
| A04 | 194160-9 | CARBON BRUSH CB-350 | | 2 | * | | | |
| A04-1 | 195004-6 | CARBON BRUSH SET CB-350 | < | 2 | * | | | |

Please order the parts with part number.

Print Date 14/8/2021