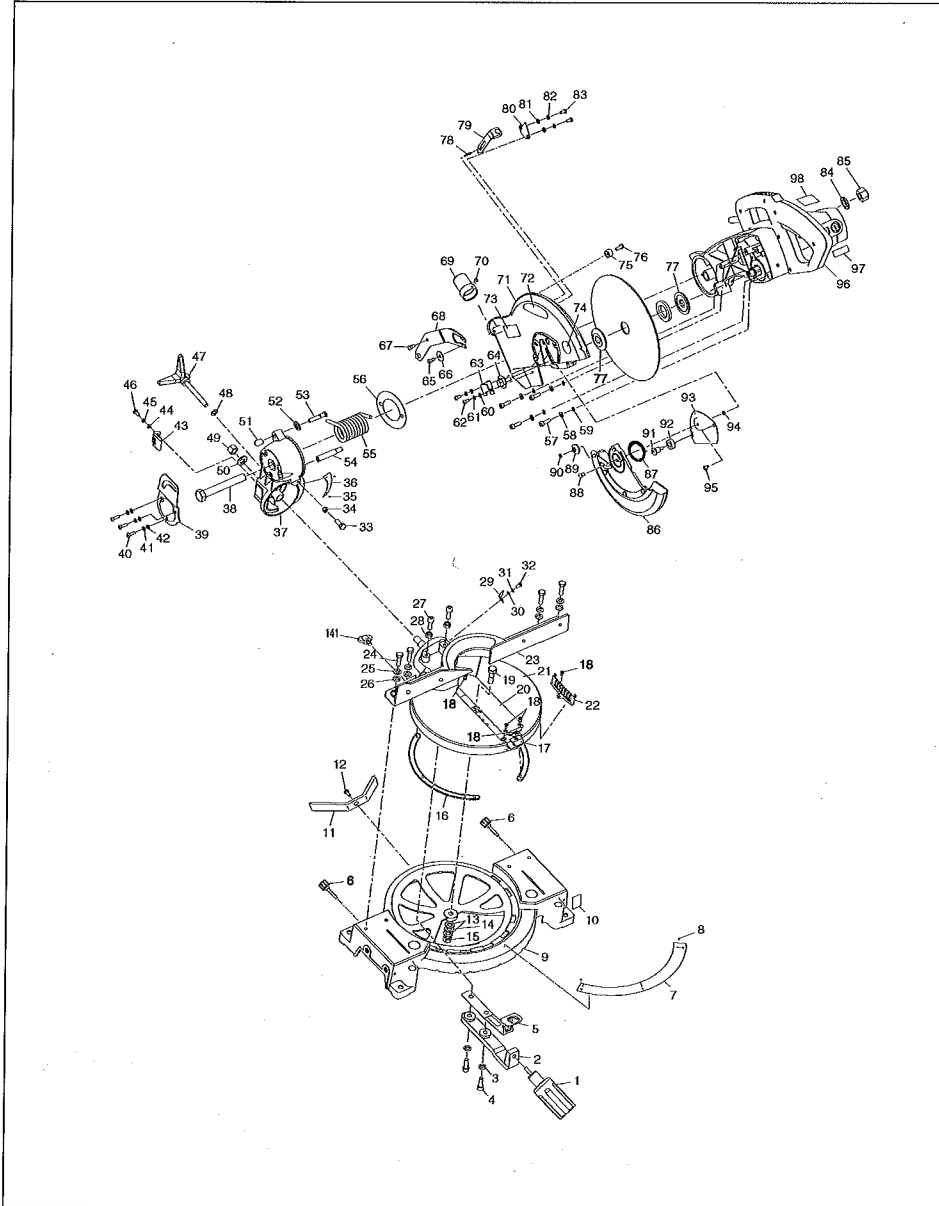


SERVICE DRAWING

MODEL NO. MT230



MODEL

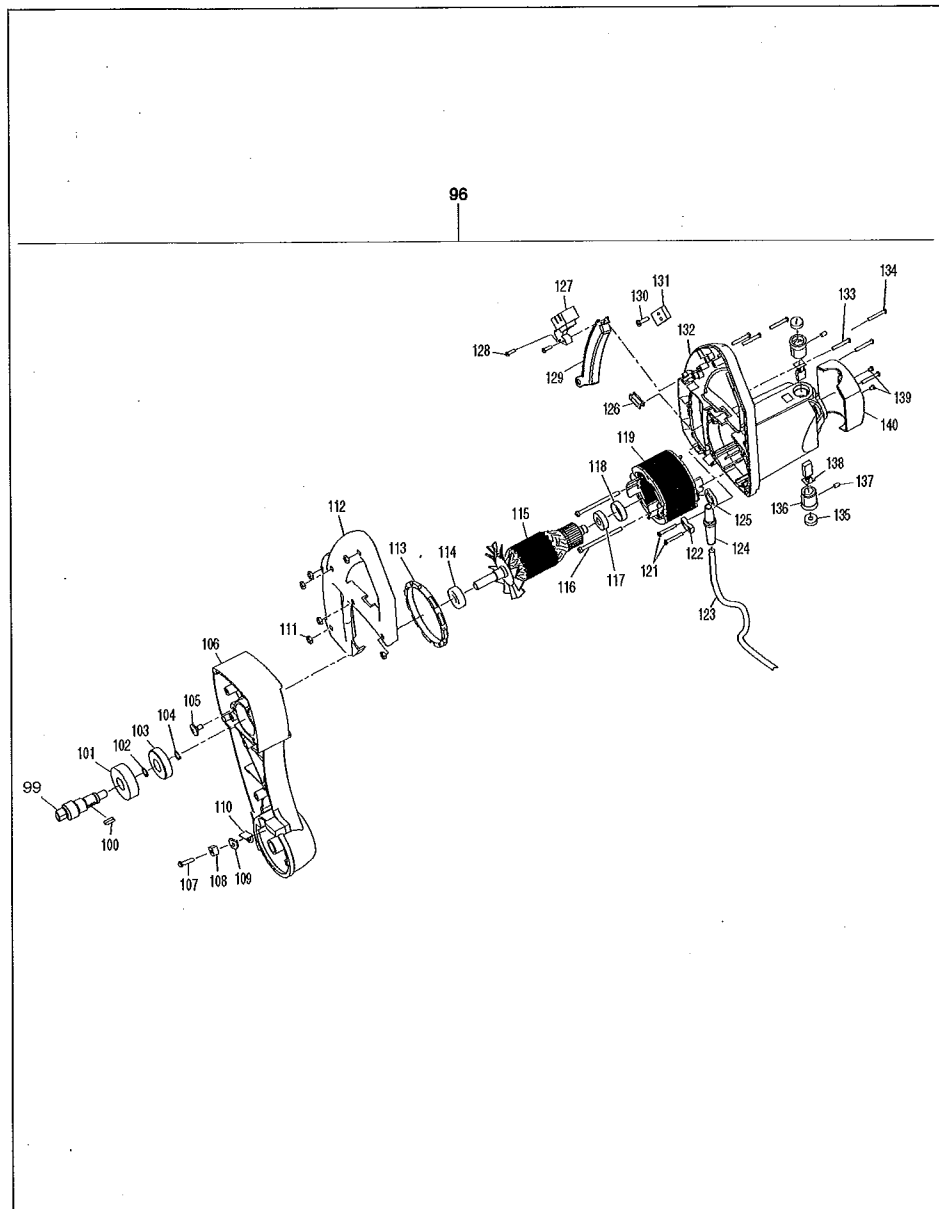
MT230

1/2

ITEM	PARTS ID	DESCRIPTION	PRICE/Baht	ITEM	PARTS ID	DESCRIPTION	PRICE/Baht
001	JM23000001	GRIP	150	054	JM23000049	LIMIT PIN	80
002	JM23000002	HANDLE BRACKET	190	055	JM23000050	TORSIONAL SPRING	360
003	JM23000003	SPRING WASHER8	50	056	JM23000051	RING	100
004	JM23000004	HEX. SOCKET HEAD BOLT M8 X 20	80	057	JM23000052	HEX. SOCKET HEAD BOLT M6 X 20	80
005	JM23000005	KNOCK SPRING	230	058	JM23000040	SPRING WASHER6	50
006	JM23000006	LOCK KNOB FOR EXT.WINGS	100	059	JM23000041	FLAT WASHER6	50
007	JM23000007	MITER ANGLE LABEL	120	060	JM23000030	FLAT WASHER5	50
008	JM23000008	RIVET	50	061	JM23000031	SPRING WASHER5	50
009	JM23000009	BASE COMP	2180	062	JM23000032	PAN HEAD SCREW M5 X 10	80
010	810965-6	CAUTION LABEL	100	063	JM23000053	PLATE	80
011	JM23000011	BASE SUPPORTER	190	064	JM23000054	BLADE LOCK BOLT	80
012	JM23000012	SCREW	80	065	JM23000055	STEPPED BOLT M5	80
013	JM23000013	FLAT WASHER10	50	066	JM23000056	BUSH	80
014	JM23000014	SADDLE SHAPE WASHER	50	067	JM23000057	STEPPED BOLT M6	80
015	JM23000015	ANTI-LOOSE NUTM10	80	068	JM23000058	LINK COMP.	230
016	JM23000016	SLIDE PLATE	120	069	JM23000178	DUST NOZZLE	#N/A
017	JM23000017	MITER ANGLE POINTER	80	070	JM23000060	PAN HEAD SCREW M4	50
018	JM23000018	COUNTERSUNK HEAD SCREW M4X10	80	071	JM23000179	BLADE CASE COMP	#N/A
019	JM23000019	PIVOT	150	072	JM23080001	MAKTEC LABEL	#N/A
020	JM23000020	KERF BOARD	120	073	817667-5	CAUTION LABEL	110
021	JM23000021	TURN BASE COMP.	2430	074	810968-0	CAUTION LABEL	110
022	JM23000022	PROTECTION NET	150	075	JM23000063	LIMIT RING	150
023	JM23000023	GUIDE RULE	1020	076	JM23000064	SCREW	50
024	JM23000024	HEX.BOLT M8X30	80	077	JM23000065	FLANGE	190
025	JM23000003	SPRING WASHER8	50	078	JM23000066	LOCK SPRING	150
026	JM23000026	FLAT WASHER8	50	079	JM23000067	SHAFT LOCK	150
027	JM23000027	HEX. BOLT M8 X 20	80	080	JM23000068	COVER	80
028	JM23000028	HEX. NUT M8	50	081	JM23000030	FLAT WASHER5	50
029	JM23000029	BEVEL POINTER	80	082	JM23000031	SPRING WASHER5	50
030	JM23000030	FLAT WASHER5	50	083	JM23000069	PAN HEAD SCREW M5 X 12	80
031	JM23000031	SPRING WASHER5	50	084	JM23000070	FLAT WASHER16	50
032	JM23000032	PAN HEAD SCREW M5 X 10	80	085	JM23000071	ANTI-LOOSE NUT16	80
033	JM23000033	HEX. BOLT M8X16	80	086	JM23000072	SAFETY COVER COMP.	1190
034	JM23000028	HEX. NUT M8	50	087	JM23000073	TORSION SPRING	190
035	JM23000034	RIVET	50	088	JM23000074	SQUARE NECK BOLTM6X10	80
036	JM23000035	SCALE LABEL	120	089	JM23000075	WHEEL	80
037	JM23000036	ARM COMPLETE	1240	090	JM23000076	E RING	50
038	JM23000037	SHAFT	190	091	JM23000077	STEPPED BOLT M6	80
039	JM23000038	LINK SUPPORT PLATE	120	092	JM23000078	RUBBER SLEEVE	120
040	JM23000039	PAN HEAD SCREW M6 X 16	80	093	JM23000079	FIX PLATE	120
041	JM23000040	SPRING WASHER6	50	094	JM23000080	ANTI-LOOSE NUTM6	80
042	JM23000041	FLAT WASHER6	50	095	JM23000081	STEPPED BOLT M5	80
043	JM23000042	CLIP	100	097	810964-8	CAUTION LABEL	100
044	JM23000030	FLAT WASHER5	50	098	JM23080042	NAME PLATE	#N/A
045	JM23000031	SPRING WASHER5	50	099	JM23000084	SPINDLE	190
046	JM23000032	PAN HEAD SCREW M5 X 10	80	100	JM23000085	KEY5X10	80
047	JM23000043	KNOB	190	101	JM23000086	BALL BEARING 6304-RZ	230
048	JM23000013	FLAT WASHER10	50	102	JM23000087	SPACE RING 20	50
049	JM23000044	ANTI-LOOSE NUTM12	80	103	JM23000088	HELICAL GEAR	500
050	JM23000045	FLAT WASHER12	50	104	JM23000089	SPACE RING 16	50
051	JM23000046	LOCK PIN CAP	80	105	JM23000090	PAN HEAD SCREW M6	80
052	JM23000047	O RING	80	106	JM23000091	GEAR HOUSING COMP.	1700
053	JM23000048	PIN	80	107	JM23000092	PAN HEAD SCREW M5 X 20	80

SERVICE DRAWING

MODEL NO. MT230



MODEL

MT230

2/2

ITEM	PARTS ID	DESCRIPTION	PRICE/Baht
108	JM23000093	LIMIT PLATE	80
109	JM23000094	LIMIT PAD	80
110	JM23000095	ADJUST PAD	80
111	JM23000096	HEX.NUTM4	50
112	JM23000097	HANDLE COVER	190
113	JM23000098	FAN GUIDE	120
114	JM23000099	BALL BEARING 6201Z	230
116	JM23000101	SELF TAPING SCREWST4.8X70	80
117	JM23000102	BALL BEARING 6001Z	230
118	JM23000103	RUBBER RING	80
120	JM23000105	RECEPTACLE	190
121	JM23000106	SELF TAPING SCREWST4.2X12	80
122	JM23000107	STRAIN RELIEF	80
123	JM23000154	POWER SUPPLY CORD	#N/A
124	JM23000109	CORD GUARD	120
125	JM23000110	NOISE SUPPRESSOR	#N/A
126	JM23000111	CLAMP	80
127	JM23000112	SWITCHCBB21-B	400
128	JM23000113	SELF TAPING SCREWST 3X8	50
129	JM23000114	SWITCH LEVER	120
130	JM23000115	SELF TAPING SCREWST4.2X12	80
131	JM23000116	TERMINAL BASE	150
132	JM23000117	MOTOR HOUSING COMP	710
133	JM23000118	PAN HEAD SCREW M4X30	80
134	JM23000119	SELFTAPPING SCREW	50
135	JM23000120	BRUSH HOLDER CAP	80
136	JM23000121	BRUSH HOLDER	120
137	JM23000122	HEX. SOCKET HEAD BOLT M5 X 8	80
139	JM23000124	SELF TAPING SCREWST5.2X12	80
140	JM23000125	MOTOR REAR COVER	80
141	JM23000126	WING BOLT	80
A01	JM23000127	HOLDER SET	560
A02	JM23000128	SET PLATE	130
A03	JM23000129	WING BOLT	90
A04	JM23000130	WRENCH	90
A05	JM23000131	WISE ASS'Y	440
A06	122523-9	DUST BAG ASS'Y	570
A07	762001-3	TRIANGULAR RULE	120