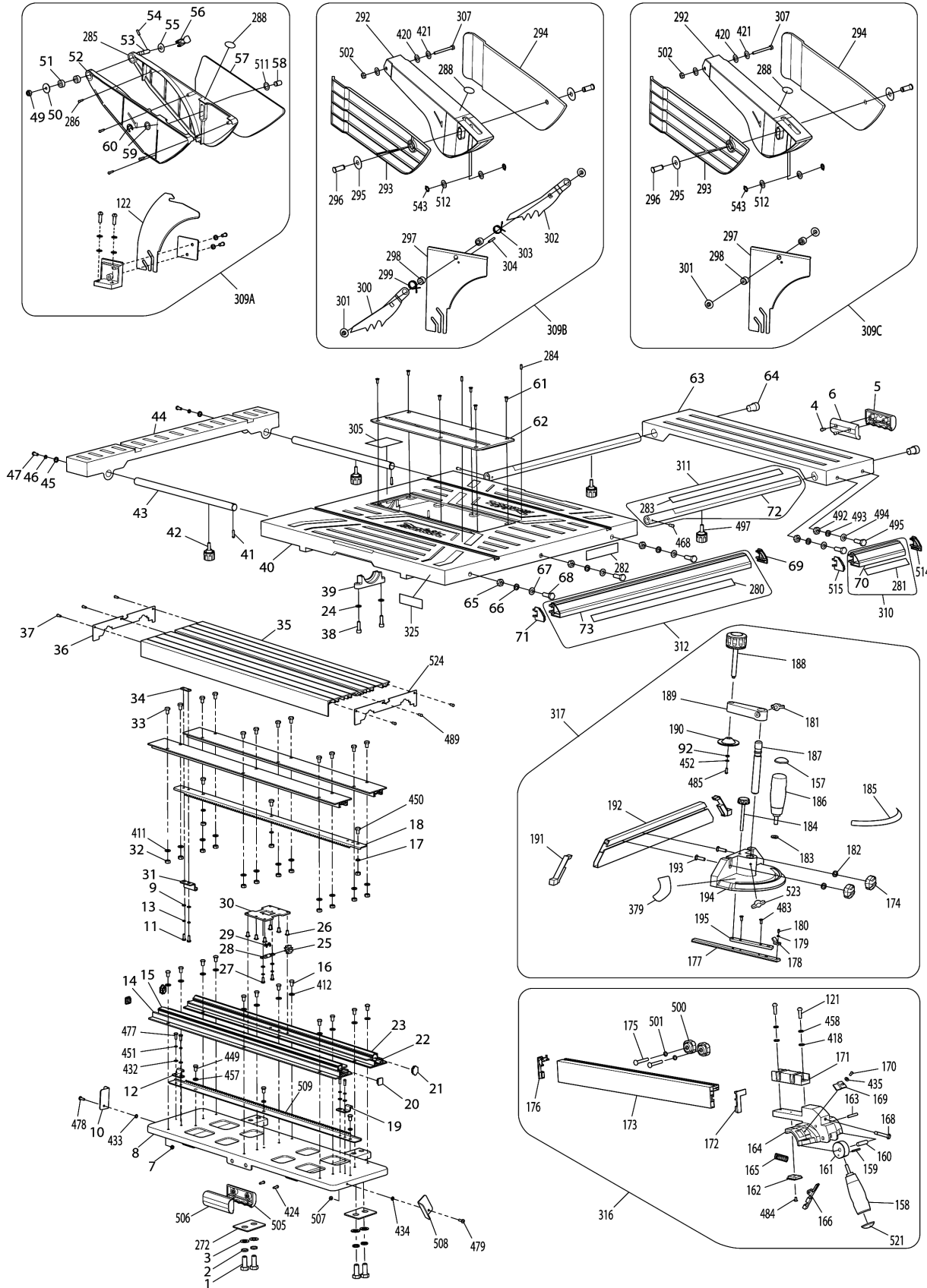
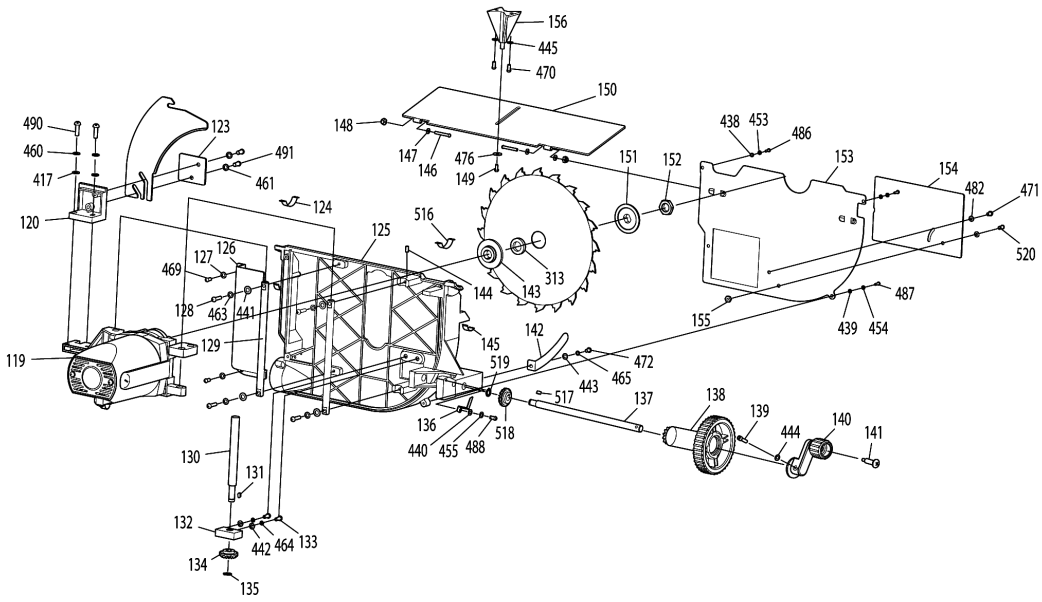
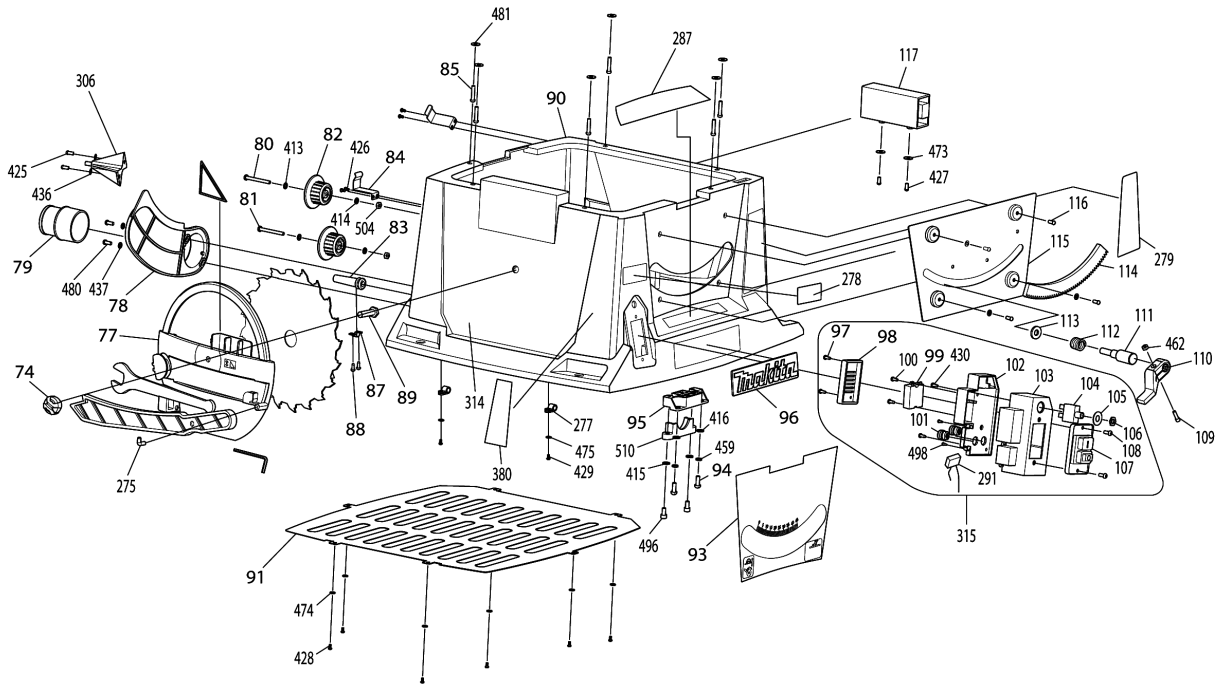


### Model No.MLT100 TABLE SAW 255MM





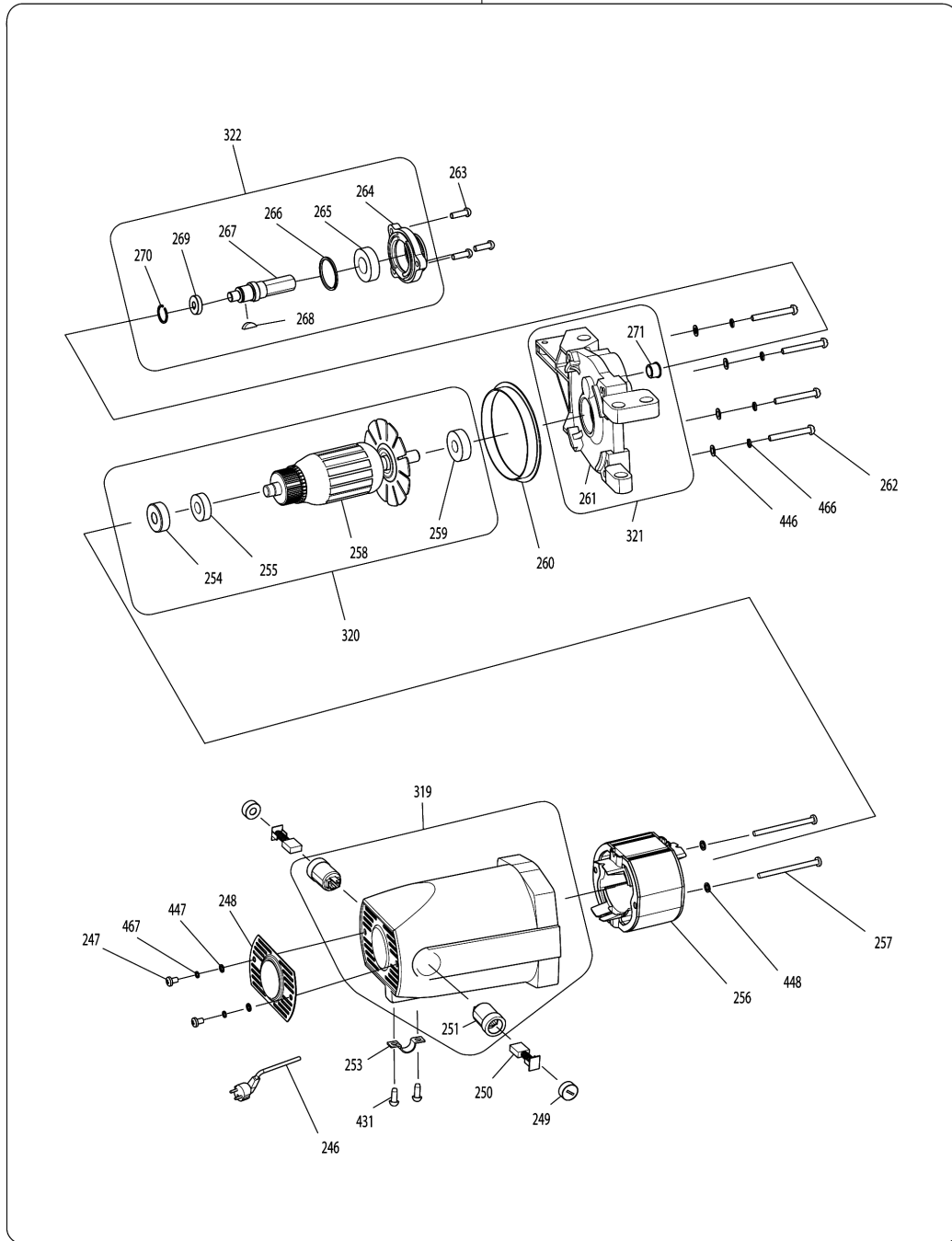
# Model No.MLT100 TABLE SAW 255MM





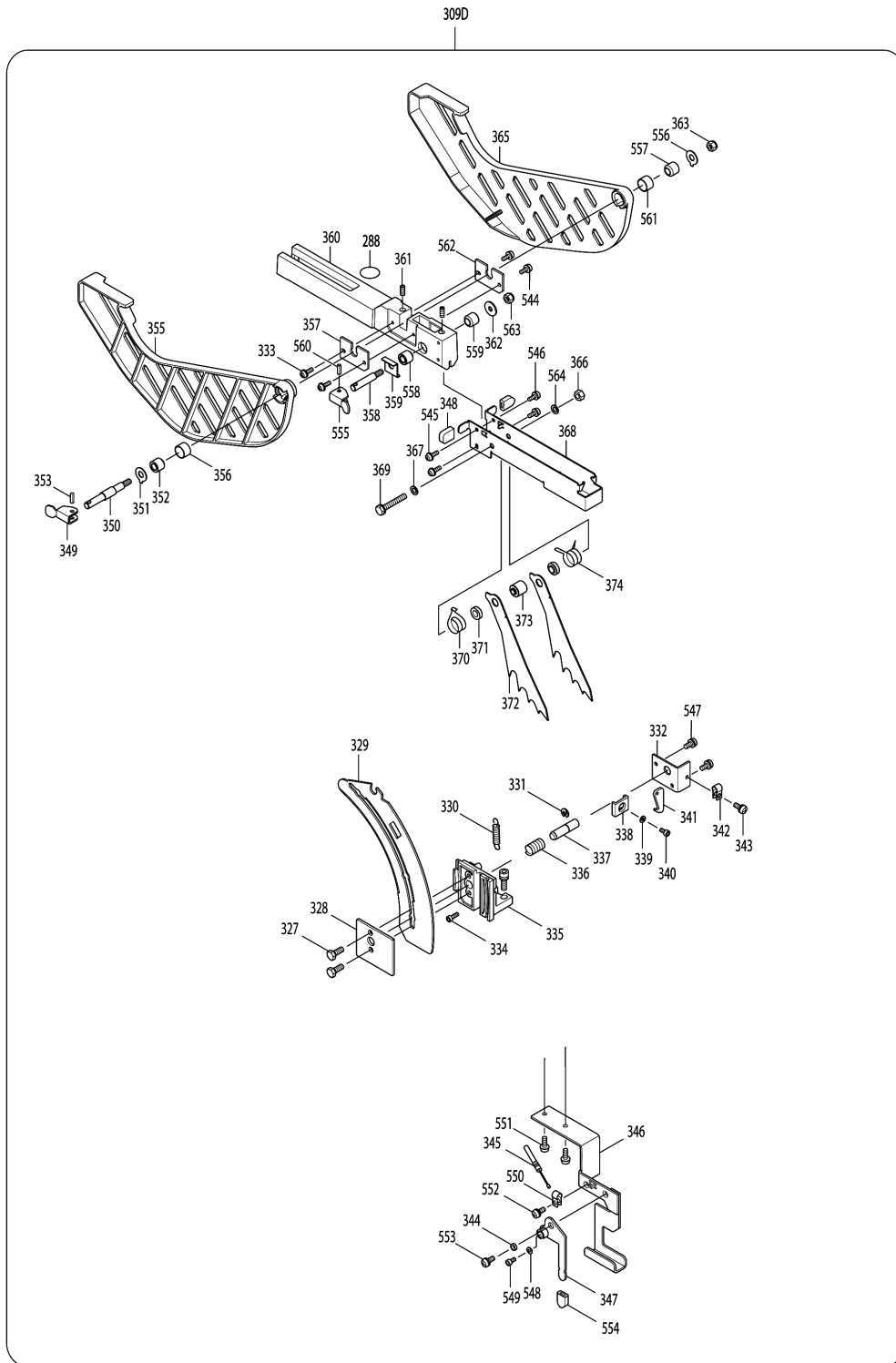
Model No.MLT100 TABLE SAW 255MM

119





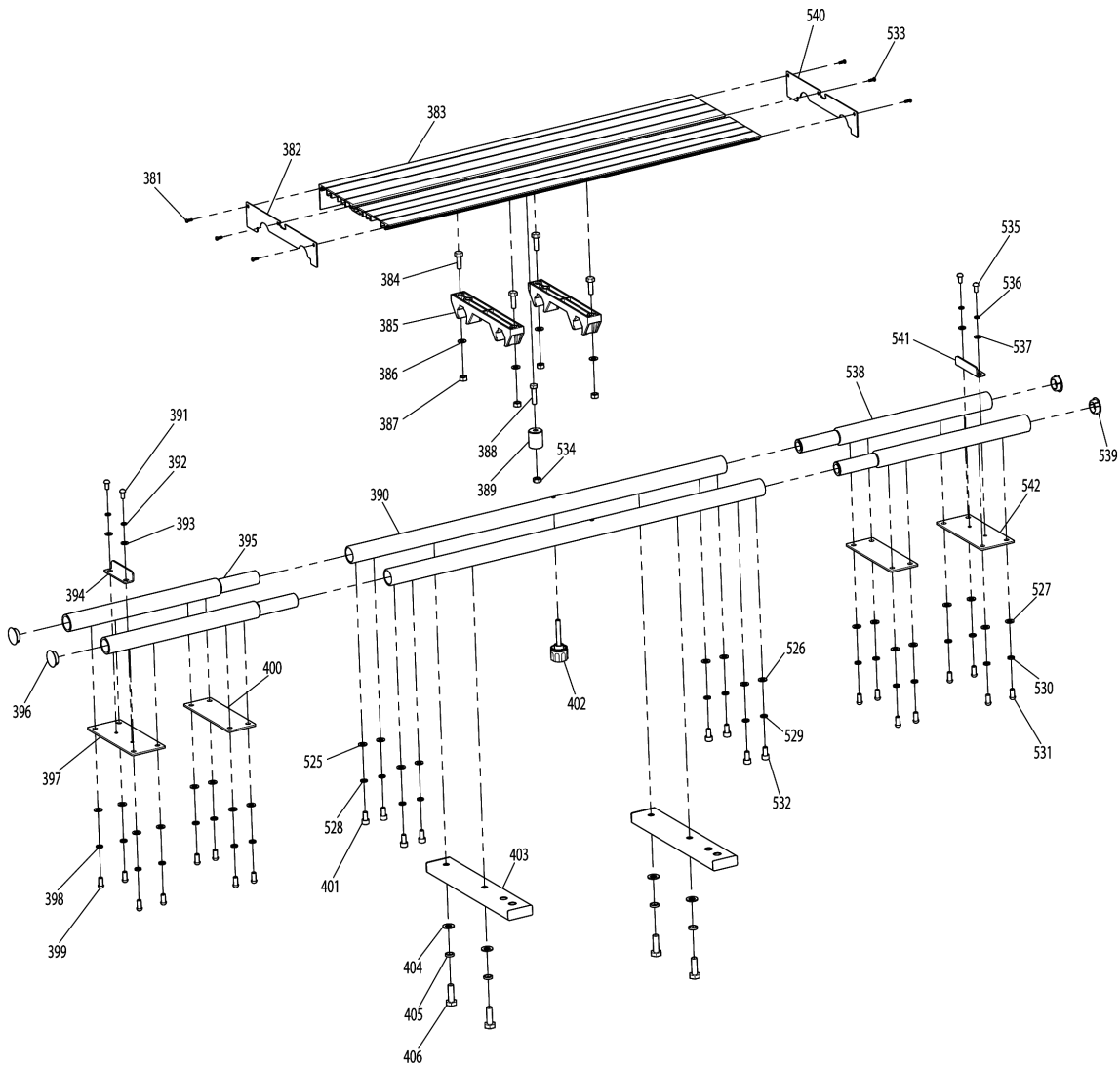
Model No.MLT100 TABLE SAW 255MM







# Model No.MLT100 TABLE SAW 255MM





## Model No.MLT100 TABLE SAW 255MM

รายการ	รหัสอะไหล่	รายละเอียด	การ แลกเปลี่ยน	จำนวน	New/Old	ขาย	ซื้อ	ข้อความ
001	JM27000001	HEX BOLT M10X35		4				
002	JM27000002	SPRING WASHER 10		4				
003	JM27000003	FLAT WASHER 10		4				
004	JM27000004	TAPPING SCREW ST3.9X12		2				
005	JM27000005	GRIP (OUTSIDE)		1				
006	JM27000006	GRIP (INSIDE)		1				
007	JM27000007	HEX LOCK NUT M4		1				
008	JM27000008	SLIDE TABLE BASE		1				
009	JM27000009	FLAT WASHER 4		2				
010	JM27000010	SLIDE TABLE STOPPER		1				
011	JM27000011	PAN HEAD SCREW M4X12		2				
012	JM27000012	SLIDE LIMITER LOWER REAR		1				
013	JM27000013	SPRING WASHER 4		2				
014	JM27000014	SQUARE SLIDER RAIL OUTSIDE		2				
015	JM27000015	SLIDING FLAT RAIL		1	*			
016	JM27000016	PAN HEAD SCREW M6X10		1	*			
016-1	JM27000016	PAN HEAD SCREW M6X10	<	12				
017	JM27000017	SPRING WASHER 6		3	*			
017-1	JM27000024	FLAT WASHER 6	X	3				
018	JM27000018	RACK FOR SLIDE TABLE		1				
019	JM27000019	SLIDE LIMITER LOWER FRONT		1				
020	JM27000020	SQUARE SLIDER RAIL END CAP		2				
021	JM27000021	V-SLIDER RAIL END CAP		2				
022	JM27000022	V-SLIDER RAIL OUTSIDE		2				
023	JM27000023	SLIDING RAIL		1	*			
024	JM27000024	FLAT WASHER 6		2				
025	JM27000025	PINION GEAR FOR SLIDE TABLE		1				
026	JM27000026	RIVET 5X9		6	*			
027	JM27000027	PAN HEAD SCREW M4X10		2				
028	JM27000028	PINION GEAR AXLE		1				
029	JM27000029	E SHAPE RETAINING RING 6		1	*			
029-1	JM27000029	E SHAPE RETAINING RING 6	<	2				
030	JM27000030	SLIDING LIMITED PLATE		1	*			
031	JM27000031	SLIDE LIMITER LOWER REAR		1				
032	JM27000032	HEX NUT M6		12				
033	JM27000033	HEX BOLT M6X10		12				
034	JM27000034	PLATE NUT M4		1				
035	JM27000035	SLIDING TABLE		1				
036A_	JM27000036	SLIDING TABLE COVER		1				

Please order the parts with part number.

Print Date 14/8/2021

## Model No.MLT100 TABLE SAW 255MM

รายการ	รหัสอะไหล่	รายละเอียด	การ แลกเปลี่ยน	จำนวน	New/Old	ขาย	ชื่อ	ข้อความ
037	JM27000037	TAPPING SCREW ST3.9X8		3				
038	JM27000038	PAN HEAD SCREW M6X16		2				
039	JM27000039	FIX BRACKET FOR BLADE CASE		1				
040A_	JM27000040	MAIN TABLE A		1	*			
040A1	JM27000430	MAIN TABLE A	<	1	*			
040A2	JM00000002	MAIN TABLE A	<	1				
041	JM27000042	PAN HEAD SCREW M5X10		2	*			
041-1	JM27000167	PAN HEAD SCREW M5X12	X	2				
042	JM27000043	KNOB BOLT M6X20		2				
043	JM27000044	SLIDE SHAFT 330		2				
044A_	JM27000045	REAR EXTENSION TABLE		1	*			
044A1	JM27000046	REAR EXTENSION TABLE ASSEMBLY	O	1				
045	JM27000047	WASHER 5 (L)		2				
046	JM27000048	SPRING WASHER 5		2				
047	JM27000049	CROSS HEAD SCREW M5X14		2	*			
047-1	JM27000167	PAN HEAD SCREW M5X12	X	2				
049	JM27000051	HEX LOCK NUT M6		1				
050	JM27000055	WASHER 6 (21.5)		1				
051	JM27000056	FIX PLATE		2				
052	JM27000057	LEFT GUARD		1				
053	JM27000058	CONNECTION BOLT		1				
054	JM27000059	PIN 4X12		1				
055	JM27000060	WASHER		1				
056	JM27000061	QUICK FIXING LEVER		1				
057	JM27000062	SIDE PROTECTION PLATE		1				
058	JM27000063	PIN 10X21.5		1				
059	JM27000064	FLAT WASHER 10		1				
060	JM27000065	RING 10		1				
061	JM27000066	FLAT HEAD SCREW M4X8		6				
062A_	JM27000067	TABLE INSERT (PLASTIC)		1				
063A_	JM27000068	RIGHT EXTENSION TABLE		1				
064	JM27000069	HEX SOCKET HEAD BOLT M14X20		2				
065	JM27000070	HEX NUT M8		3				
066	JM27000071	SPRING WASHER 8		3				
067	JM27000072	FLAT WASHER 8		3				
068	JM27000073	SQUARE NECK BOLT M8X25		3				
069	JM27000074	FRONT RAIL END CAP RIGHT		1				
070	JM27000075	FRONT RAIL FOR RIGHT EX- TABLE		1				
071	JM27000078	FRONT RAIL END CAP LEFT		1				

Please order the parts with part number.

Print Date 14/8/2021

## Model No.MLT100 TABLE SAW 255MM

รายการ	รหัสอะไหล่	รายละเอียด	การ แลกเปลี่ยน	จำนวน	New/Old	ขาย	ชื่อ	ข้อความ
072	JM27000079	SLIDING BAR A		2	*			
072-1	JM27000425	SLIDE PIPE 630	X	2				
073	JM27000082	FRONT RAIL		1				
074	JM27000085	KNOB NUT M10		1				
077A_	JM27000088	FIX PLATE		1	*			
077A1	JM00000147	TOOL CASE ASSY	<	1				
078	JM27000089	SAW DUST OUTLET		1				
079	JM27000090	CUFFS 57-45		1				
080	JM27000091	HEX BOLT M6X65		1				
081	JM27000092	HEX BOLT M6X55		1				
082	JM27000093	CORD HANGER		2				
083	JM27000094	CORD GUARD		1				
084A_	JM27000095	HOOK		2				
085	JM27000096	CROSS HEAD SCREW M5X25		6	*			
085-1	JM27000156	PAN HEAD SCREW M5X20	X	6				
087	JM27000102	CORD CLAMP		1				
088	JM27000103	TAPPING SCREW ST3.9X16		2				
089	JM27000104	HEX BOLT M10X45		1				
090A_	JM27000105	CABINET		1	*			
091	JM27000108	UNDER PANEL		1				
092	JM27000109	WASHER 4 (L)		1	*			
092-1	JM27000009	FLAT WASHER 4	X	1				
093	JM27000110	FRONT PANEL LABEL		1				
094	JM27000111	HEX BOLT M6X16		2				
095	JM27000112	BLADE CASE FIX BRACKET SPACER		1				
096A_	JM27000113	MAKITA LOGO PLATE		1				
097	JM27000114	TAPPING SCREW ST2.9X10		2				
098	JM27000115	SOFT START DEVICE COVER		1				
100	JM27000117	TAPPING SCREW ST2.9X8		2				
101	JM27000118	CORD CLAMP		2	*			
101-1	JM27000118	CORD CLAMP	<	1				
102	JM27000119	SWITCH BOX COVER		1				
103	JM27000120	SWITCH BOX		1				
104A_	JM27000121	CIRCUIT BREAKER 220-240V		1				
105	JM27000122	LABEL FOR CIRCUIT BREAKER		1				
106	JM27000123	NUT FOR CIRCUIT BREAKER		1				
107A_	JM27000124	MAGNETIC SWITCH A (HV)		1	*			
107A1	JM27000443	ANTI RESTART SWITCH 220- 240V	<	1				
108	JM27000136	PAN HEAD SCREW M4X14		2				

Please order the parts with part number.

Print Date 14/8/2021

## Model No.MLT100 TABLE SAW 255MM

รายการ	รหัสอะไหล่	รายละเอียด	การ แลกเปลี่ยน	จำนวน	New/Old	ขาย	ซื้อ	ข้อความ
109	JM27000137	HEX SOCKET HEAD BOLT M6X12		1				
110	JM27000138	LOCK HANDLE FOR BLADE ANGLE		1				
111	JM27000139	BLADE ANGLE LOCKING BOLT		1				
112	JM27000140	COMPRESSION SPRING		1				
113	JM27000141	FLAT WASHER 10		1				
114	JM27000142	BLADE ANGLE ADJUSTING RACK		1				
115	JM27000143	SUPPORT PLATE FOR ADJUST RACK		1				
116	JM27000144	FLAT HEAD SCREW M5X8		4				
117A_	JM27000145	RIP FENCE HOLDER		1				
119A_	JM27000147	MOTOR ASSEMBLY 230V		1	*			
D10		INC. 246-250,253,256,257,260,			*			
D20		INC. 262,263,319-322,431,			*			
D30		INC. 446-448,466,467			*			
120	JM27000148	BRACKET FOR RIVING KNIFE		1				
121	JM27000149	HEX SOCKET HEAD BOLT M6X20		2				
122	JM27000150	RIVING KNIFE		1	*			
122-1	JM27000150	RIVING KNIFE	O	1				
123	JM27000151	FIX PLATE FOR RIVING KNIFE		1				
124	JM27000152	RETAINER PLATE FOR BLADE CASE		1				
125	JM27000153	BLADE CASE LEFT SIDE		1				
126	JM27000154	COVER PLATE FOR BLADE CASE		1				
127	JM27000155	FLAT WASHER 5		2				
128	JM27000156	PAN HEAD SCREW M5X20		2	*			
128-1	JM27000156	PAN HEAD SCREW M5X20	<	4				
129	JM27000157	SLIDE SHAFT FOR BLADE LIFTING		2				
130	JM27000158	SLIDE SCREW FOR BLADE LIFTING		1				
131	JM27000159	KEY 4X8		1				
132	JM27000160	BRACKET FOR SLIDE SCREW		1				
133	JM27000161	HEX SOCKET HEAD BOLT M5X20		2				
134	JM27000162	BEVEL GEAR FOR BLADE LIFTING		1				
135	JM27000163	RETAINING RING S-10		1				
136	JM27000164	BLADE ANGLE POINTER		1				
137	JM27000165	HANDLE AXLE FOR BLADE LIFTING		1				
138	JM27000166	ADJUSTING GRIP FOR BLADE ANGLE		1				
139	JM27000167	PAN HEAD SCREW M5X12		1				

Please order the parts with part number.

Print Date 14/8/2021

## Model No.MLT100 TABLE SAW 255MM

รายการ	รหัสอะไหล่	รายละเอียด	การ แลกเปลี่ยน	จำนวน	New/Old	ขาย	ซื้อ	ข้อความ
140	JM27000168	CRANK ASSY FOR BLADE LIFTING		1	*			
140-1	JM27000168	CRANK ASSY FOR BLADE LIFTING	O	1				
D10		INC. 141,593-596						
141	JM27000169	PAN HEAD STEPPED SCREW M5X37		1				
142	JM27000170	PROTECTION PLATE		1				
143	JM27000171	INNER FLANGE 52		1				
144	JM27000172	H.S.SET SCREW M6X12 WITH GLUE		1				
145	JM27000173	SPRING FOR BLADE CASE BRACKET		2				
146	JM27000174	PAN HEAD SCREW M3X25		2				
147	JM27000175	WASHER 3 (L)		2				
148	JM27000176	HEX LOCK NUT M3		2				
149	JM27000177	TAPPING SCREW ST3.9X10		1				
150	JM27000178	PROTECTION PLATE 397X123		1				
151	JM27000179	OUTER FLANGE 52		1				
152	JM27000180	HEX NUT M16		1				
153	JM27000181	BLADE CASE RIGHT SIDE		1				
154	JM27000182	BLADE CASE PLATE		1				
155	JM27000183	HEX LOCK NUT M5		1				
156	JM27000184	SUPPORT BRACKET		1				
157	JM27000185	COVER		1	*			
158	JM27000186	GRIP SCREW M8X10		1	*			
158-1	JM27000186	GRIP SCREW M8X10	S	1				
159	JM27000187	SPRING PIN 4X30		1				
160	JM27000188	KNURLED PIN 8X30		1				
161	JM27000189	ECCENTRIC RING		1				
162	JM27000190	FRICITION PAD		1				
163	JM27000191	KNURLED PIN 5X30		1				
164A_	JM27000192	RIP FENCE BRACKET		1				
165	JM27000193	COMPRESSION SPRING		1				
166	JM27000194	RIP FENCE FIXED PLATE		1				
168	JM27000196	HEX BOLT M6X35		1				
169	JM27000197	POINTER		1				
170	JM27000198	PAN HEAD SCREW M4X8		1				
171	JM27000199	FENCE BRACKET		1				
172	JM27000200	FENCE END CAP		1				
173	JM27000201	FENCE BAR		1				
174	JM27000203	THUMB NUT M6		2				
175	JM27000204	SQUARE NECK BOLT M6X60		2				
176	JM27000205	FENCE END CAP		1				

Please order the parts with part number.

Print Date 14/8/2021

## Model No.MLT100 TABLE SAW 255MM

รายการ	รหัสอะไหล่	รายละเอียด	การ แลกเปลี่ยน	จำนวน	New/Old	ขาย	ซื้อ	ข้อความ
177	JM27000206	SLIDING BAR		1				
178	JM27000207	POINTER		1				
179	JM27000208	FLAT WASHER 3		1				
180	JM27000209	PAN HEAD SCREW M3X8		1				
181	JM27000210	THUMB SCREW M6X13		1				
182	JM27000211	WASHER 6 (L)		2				
183	JM27000212	WASHER 8		1				
184	JM27000213	THUMB SCREW M6X62		1				
185	JM27000214	SCALE LABEL		1				
186	JM27000215	GRIP SCREW M8X20		1	*			
186-1	JM27000215	GRIP SCREW M8X20	S	1				
187	JM27000216	WISE ROD		1				
188	JM27000217	THUMB SCREW M10X92		1				
189	JM27000218	WISE ARM		1				
190	JM27000219	WISE PLATE		1				
191	JM27000220	FENCE END CAP		2				
192	JM27000221	FENCE PLATE		1				
193	JM27000222	SQUARE NECK BOLT M6X30		2				
194A_	JM27000223	ANGLE RULE BASE		1				
195	JM27000225	SLIDING BAR SPACER		1				
246	JM23000154	POWER SUPPLY CORD ASSY GAMBIA		1				
247	JM27000292	PAN HEAD SCREW M5X8		2				
248	JM27000293	AIR INLET COVER PLATE		1				
249	JM27000294	BRUSH CAP		2				
250	JM23000123	CARBON BRUSH 2PCS/SET		1				
251	JM27000296	BRUSH HOLDER		2	*			
253	JM27000299	CORD CLAMP		1				
254	JM27000361	RUBBER RING		1				
255	JM27000301	BEARING 6001-2Z		1	*			
255-1	JM27000445	BALL BEARING 6001RS	<	1				
256A_	JM27000302	STATOR ASSY 230V		1				
257	JM27000305	TAPPING SCREW ST4.8X70		2				
258A_	JM27000306	ROTOR(230V)		1				
259	JM27000312	BEARING 6201-2Z		1	*			
259-1	JM27000446	BALL BEARING 6201RS	<	1				
260	JM27000313	BAFFLE RING		1				
261	JM27000314	GEAR BOX		1	*			
261-1	JM27000423	GEAR BOX	<	1	*			
262	JM27000316	PAN HEAD SCREW M5X35		4				
263	JM27000317	FLAT HEAD SCREW M5X16		3				

Please order the parts with part number.

Print Date 14/8/2021



## Model No.MLT100 TABLE SAW 255MM

รายการ	รหัสอะไหล่	รายละเอียด	การ แลกเปลี่ยน	จำนวน	New/Old	ขาย	ซื้อ	ข้อความ
264	JM27000318	BEARING BOX		1				
265	JM27000319	BALL BEARING 6003RS		1				
266	JM27000320	RETAINING RING R-35		1				
267	JM27000321	SPINDLE SHAFT 5/8"		1				
268	JM27000323	KEY 5X6.5X16		1				
269	JM27000324	HELICAL GEAR 43		1				
270	JM27000325	RETAINING RING S-16		1				
271	JM27000326	BUSH		1	*			
272	JM27000327	SLIDING TABLE BASE FIX PLATE		2				
275	JM27000330	HOOK		1	*			
277	JM27000332	R-TYPE CABLE CLAMP		2				
278	JM27080019	NAME PLATE		1				
280A_	JM27000333	SCALE LABEL (METRIC)		1				
281A_	JM27000335	SCALE LABEL EX-TABLE (METRIC)		1				
283A_	JM27000337	SCALE LABEL		2	*			
283A1	JM27000428	SCALE LABEL SL-PIPE (METRIC)	X	2				
284	JM27000339	H.S.SET SCREW M6X20 WITH GLUE		2				
285	JM27000340	BLADE GUARD		1				
286	JM27000341	CROSS HEAD SELF TAPPING SCREW		4	*			
286-1	JM27000114	TAPPING SCREW ST2.9X10	X	4				
287	JM27080020	WARNING LABEL		1				
288	JM27080060	WARNING LABEL		1				
309A_	JM27000052	UP BLADE GUARD ASSEMBLY (EU TY		1				
D10		INC. 49-60,122,285,286,288			*			
D11		INC. 49- 60,122,285,286,288,597						
310A_	JM27000076	SUB FRONT RAIL ASSEMBLY (MMSCA		1				
D10		INC. 70,281						
311A_	JM27000080	SLIDING BAR A ASSEMBLY (MMSCAL		1	*			
D10		INC. 72,283			*			
311A1	JM27000426	SLIDING BAR A ASSEMBLY (MMSCAL	X	1				
D10		INC. 72,283						
312A_	JM27000083	FRONT RAIL ASSEMBLY (MMSCALE)		1				
D10		INC. 73,280						
313B_	JM27000101	BLADE INNER LING 25.4		1				
314A_	JM27000106	CABINET		1				
315D_	JM27000130	SWITCH ASSY 4 SWA SOX CAX		1				

Please order the parts with part number.

Print Date 14/8/2021

## Model No.MLT100 TABLE SAW 255MM

รายการ	รหัสอะไหล่	รายละเอียด	การ แลกเปลี่ยน	จำนวน	New/Old	ขาย	ซื้อ	ข้อความ
D10		INC. 97,98,100-108,430,498						
316A_	JM27000202	RIP FENCE ASSEMBLY		1				
D10		INC. 121,158-166,168- 173,175,			*			
D11		INC. 121,158,162,169-173,175,						
D20		INC. 176,418,435,458,484,500,			*			
D21		INC. 176,418,435,458,484,500,						
D30		INC. 501,521			*			
D31		INC. 501,565						
317A_	JM27000224	MITER GUAGE ASSEMBLY		1				
D10		INC. 92,157,174,177-195,452,			*			
D11		INC. 92,174,177-195,452,483,						
D20		INC. 483,485,523			*			
D21		INC. 485,523,582						
319	JM27000298	MOTOR HOUSE ASSEMBLY		1	*			
D10		INC. 251			*			
319-1	JM00000150	MOTOR HOUSING ASSY	O	1				
320A_	JM27000309	ARMATURE ASSY 230V		1				
D10		INC. 254,255,258,259						
321	JM27000315	GEAR BOX ASSEMBLY		1	*			
D10		INC. 261,271			*			
321-1	JM27000424	GEAR BOX ASSEMBLY	<	1				
D10		INC. 261,271			*			
322	JM27000322	OUTER SHAFT ASSEMBLY		1				
D10		INC. 264-270						
411	JM27000024	FLAT WASHER 6		12				
412	JM27000024	FLAT WASHER 6		12				
413	JM27000024	FLAT WASHER 6		2	*			
414	JM27000024	FLAT WASHER 6		2				
415	JM27000024	FLAT WASHER 6		2				
416	JM27000024	FLAT WASHER 6		2				
417	JM27000024	FLAT WASHER 6		2				
418	JM27000024	FLAT WASHER 6		2				
424	JM27000004	TAPPING SCREW ST3.9X12		2				
426	JM27000004	TAPPING SCREW ST3.9X12		2	*			
426-1	JM27000177	TAPPING SCREW ST3.9X10	X	4				
427	JM27000004	TAPPING SCREW ST3.9X12		2				
428	JM27000004	TAPPING SCREW ST3.9X12		6				
429	JM27000004	TAPPING SCREW ST3.9X12		2				
430	JM27000004	TAPPING SCREW ST3.9X12		2				
431	JM27000004	TAPPING SCREW ST3.9X12		2				

Please order the parts with part number.

Print Date 14/8/2021

## Model No.MLT100 TABLE SAW 255MM

รายการ	รหัสอะไหล่	รายละเอียด	การ แลกเปลี่ยน	จำนวน	New/Old	ขาย	ซื้อ	ข้อความ
432	JM27000009	FLAT WASHER 4		4				
433	JM27000009	FLAT WASHER 4		1	*			
433-1	JM27000009	FLAT WASHER 4	O	1				
434	JM27000009	FLAT WASHER 4		1	*			
434-1	JM27000009	FLAT WASHER 4	O	1				
435	JM27000009	FLAT WASHER 4		1				
437	JM27000009	FLAT WASHER 4		2				
438	JM27000009	FLAT WASHER 4		2				
439	JM27000009	FLAT WASHER 4		2				
440	JM27000009	FLAT WASHER 4		1				
441	JM27000155	FLAT WASHER 5		2	*			
441-1	JM27000155	FLAT WASHER 5	<	4				
442	JM27000155	FLAT WASHER 5		2				
443	JM27000155	FLAT WASHER 5		1	*			
444	JM27000155	FLAT WASHER 5		1				
445	JM27000155	FLAT WASHER 5		2	*			
446	JM27000155	FLAT WASHER 5		4				
447	JM27000155	FLAT WASHER 5		2				
448	JM27000155	FLAT WASHER 5		2				
449	JM27000016	PAN HEAD SCREW M6X10		3				
450	JM27000033	HEX BOLT M6X10		3				
451	JM27000013	SPRING WASHER 4		4				
452	JM27000013	SPRING WASHER 4		1				
453	JM27000013	SPRING WASHER 4		2				
454	JM27000013	SPRING WASHER 4		2				
455	JM27000013	SPRING WASHER 4		1				
457	JM27000017	SPRING WASHER 6		3	*			
457-1	JM27000024	FLAT WASHER 6	X	3				
458	JM27000017	SPRING WASHER 6		2				
459	JM27000017	SPRING WASHER 6		2				
460	JM27000017	SPRING WASHER 6		2				
461	JM27000017	SPRING WASHER 6		2				
462	JM27000032	HEX NUT M6		1				
463	JM27000048	SPRING WASHER 5		2	*			
463-1	JM27000048	SPRING WASHER 5	<	4				
464	JM27000048	SPRING WASHER 5		2				
465	JM27000048	SPRING WASHER 5		1	*			
466	JM27000048	SPRING WASHER 5		4				
467	JM27000048	SPRING WASHER 5		2	*			
468	JM27000042	PAN HEAD SCREW M5X10		2				

Please order the parts with part number.

Print Date 14/8/2021

## Model No.MLT100 TABLE SAW 255MM

รายการ	รหัสอะไหล่	รายละเอียด	การ แลกเปลี่ยน	จำนวน	New/Old	ขาย	ซื้อ	ข้อความ
469	JM27000042	PAN HEAD SCREW M5X10		2				
470	JM27000042	PAN HEAD SCREW M5X10		2				
471	JM27000042	PAN HEAD SCREW M5X10		2	*			
471-1	JM27000042	PAN HEAD SCREW M5X10	O	1				
472	JM27000042	PAN HEAD SCREW M5X10		1				
473	JM27000109	WASHER 4 (L)		2				
474	JM27000109	WASHER 4 (L)		6				
475	JM27000109	WASHER 4 (L)		2				
476	JM27000109	WASHER 4 (L)		1				
477	JM27000011	PAN HEAD SCREW M4X12		4				
478	JM27000011	PAN HEAD SCREW M4X12		1				
479	JM27000011	PAN HEAD SCREW M4X12		1				
480	JM27000011	PAN HEAD SCREW M4X12		2				
481	JM27000047	WASHER 5 (L)		6				
482	JM27000047	WASHER 5 (L)		2				
483	JM27000066	FLAT HEAD SCREW M4X8		2				
484	JM27000066	FLAT HEAD SCREW M4X8		1				
485	JM27000027	PAN HEAD SCREW M4X10		1				
486	JM27000027	PAN HEAD SCREW M4X10		2				
487	JM27000027	PAN HEAD SCREW M4X10		2				
488	JM27000027	PAN HEAD SCREW M4X10		1				
489	JM27000037	TAPPING SCREW ST3.9X8		3				
490	JM27000149	HEX SOCKET HEAD BOLT M6X20		2				
491	JM27000149	HEX SOCKET HEAD BOLT M6X20		2				
492	JM27000070	HEX NUT M8		2				
493	JM27000071	SPRING WASHER 8		2				
494	JM27000072	FLAT WASHER 8		2				
495	JM27000073	SQUARE NECK BOLT M8X25		2				
496	JM27000038	PAN HEAD SCREW M6X16		2				
497	JM27000043	KNOB BOLT M6X20		2				
498	JM27000114	TAPPING SCREW ST2.9X10		2				
500	JM27000203	THUMB NUT M6		2				
501	JM27000211	WASHER 6 (L)		2				
504	JM27000051	HEX LOCK NUT M6		2	*			
504-1	JM27000032	HEX NUT M6	X	2				
505	JM27000005	GRIP (OUTSIDE)		1	*			
505-1	JM27000006	GRIP (INSIDE)	X	1				
506	JM27000006	GRIP (INSIDE)		1	*			
506-1	JM27000005	GRIP (OUTSIDE)	X	1				
507	JM27000007	HEX LOCK NUT M4		1				

Please order the parts with part number.

Print Date 14/8/2021

## Model No.MLT100 TABLE SAW 255MM

รายการ	รหัสอะไหล่	รายละเอียด	การ แลกเปลี่ยน	จำนวน	New/Old	ขาย	ซื้อ	ข้อความ
508	JM27000010	SLIDE TABLE STOPPER		1				
509	JM27000018	RACK FOR SLIDE TABLE		1				
510	JM27000039	FIX BRACKET FOR BLADE CASE		1				
511	JM27000064	FLAT WASHER 10		1				
514	JM27000074	FRONT RAIL END CAP RIGHT		1				
515	JM27000078	FRONT RAIL END CAP LEFT		1				
516	JM27000152	RETAINER PLATE FOR BLADE CASE		1				
517	JM27000159	KEY 4X8		1				
518	JM27000162	BEVEL GEAR FOR BLADE LIFTING		1				
519	JM27000163	RETAINING RING S-10		1				
520	JM27000167	PAN HEAD SCREW M5X12		1				
521	JM27000185	COVER		1	*			
523	JM27000210	THUMB SCREW M6X13		1				
524	JM27000036	SLIDING TABLE COVER		1				
565	JM00000148	RIP FENCE BRACKET ASSY		1				
D10		INC. 159-161,163-166,168,						
D20		INC. 567,568						
567	JM27000024	FLAT WASHER 6		1				
568	JM27000024	FLAT WASHER 6		1				
569	JM00000149	SLIDE RAIL ASSY	S	1				
570	JM00000154	WAVE WASHER 4		1				
571	JM00000154	WAVE WASHER 4		1				
572	JM00000135	HEX NUT M10		1				
573	JM27000003	FLAT WASHER 10		1				
574	JM27000009	FLAT WASHER 4		2				
575	JM27000013	SPRING WASHER 4		2				
577	JM27000009	FLAT WASHER 4		2				
578	JM00000156	VINYL TUBE		1				
580	JM27000017	SPRING WASHER 6		2				
581	JM27000017	SPRING WASHER 6		2				
582	JM27000024	FLAT WASHER 6		1				
583	JM27000032	HEX NUT M6		3				
584	JM27000155	FLAT WASHER 5		2				
585	JM27000048	SPRING WASHER 5		2				
586	JM27000155	FLAT WASHER 5		2				
587	JM27000048	SPRING WASHER 5		2				
588	JM00000155	CORD CLAMP		1				
589	JM27000183	HEX LOCK NUT M5		3				
590	JM27000317	FLAT HEAD SCREW M5X16		3				

Please order the parts with part number.

Print Date 14/8/2021

## Model No.MLT100 TABLE SAW 255MM

รายการ	รหัสอะไหล่	รายละเอียด	การ แลกเปลี่ยน	จำนวน	New/Old	ขาย	ซื้อ	ข้อความ
592	JM27000453	O-RING 2.5X1.5		6				
593	JM00000152	CRANK FOR BLADE LIFTING		1				
594	JM00000151	HEX NUT M5		1				
595	JM00000153	GRIP FOR BLADE LIFTING		1				
596	JM27000155	FLAT WASHER 5		1				
597	JM27080108	CAUTION LABEL		1				
598	JM00000157	GROMMET		1				
A01	JM27000086	PUSH STICK		1				
A02	JM27000087	WRENCH 24		2				
A03	JM27000328	TRIANGLE PLATE		1				
A04	JM27000329	HEX WRENCH 6		1				
A05	JM27000098	BLADE 255X25.4		1				

Please order the parts with part number.

Print Date 14/8/2021