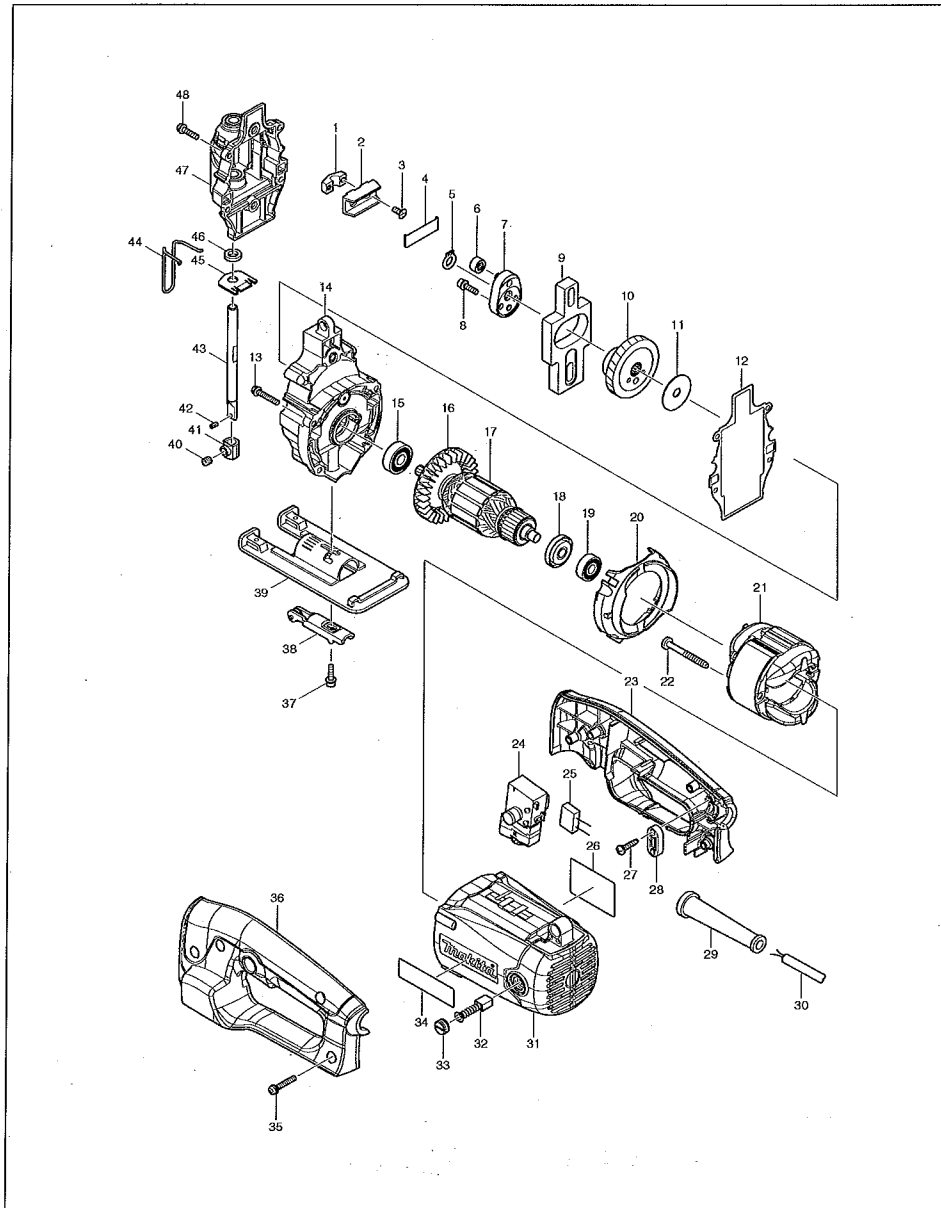


SERVICE DRAWING

MODEL NO. MT430



MODEL

MT430

ITEM	PARTS ID	DESCRIPTION	PRICE/Baht
001	318371-4	SLIDER SUPPORT	130
002	325600-8	SLIDER BLOCK	300
003	265035-0	COUNTERSUNK HEAD SCREW M4X10	80
004	346057-0	THRUST PLATE	50
005	961004-6	RETAINING RING S-8	20
006	212960-6	NEEDLE BEARING 607	290
007	158873-6	CRANK PLATE COMPLETE	210
008	922128-3	HEX. SOCKET HEAD BOLT M4X16	30
009	313161-0	BALANCE PLATE	410
010	212953-3	NEEDLE BEARING 810	130
010	158913-0	HELICAL GEAR 49 COMPLETE	790
011	267402-5	FLAT WASHER 8	50
012	442145-2	PACKING	220
013	265101-3	PAN HEAD SCREW M4X25	110
014	158870-2	GEAR HOUSING COMPLETE	720
015	210063-0	BALL BEARING 629ZZ	150
016	240053-9	FAN 65	150
018	681644-1	INSULATION WASHER	60
019	210029-0	BALL BEARING 608ZZ	130
020	450933-3	BAFFLE PLATE	110
021	654501-6	CONNECTOR P-1.25	40
021	654221-2	RING TERMINAL	60
022	266466-6	TAPPING SCREW 5X45	50
023	188618-8	HANDLE SET	360
024	650616-7	SWITCH DQG-1104H-02	600
026	866286-4	MT430 NAME PLATE	90
027	266326-2	TAPPING SCREW 4X18	30
028	687124-5	STRAIN RELIEF	70
029	682569-2	CORD GUARD 8-85	110
030	691284-7	POWER SUPPLY CORD 0.75-2-2.0	290
031	643455-2	BRUSH HOLDER 6X9	130
031	188669-1	MOTOR HOUSING SET	690
033	643987-9	BRUSH HOLDER CAP 5-8	90
034	819227-9	MAKTEC LOGO LABEL	110
035	265101-3	PAN HEAD SCREW M4X25	110
036	188618-8	HANDLE SET	360
037	922128-3	HEX. SOCKET HEAD BOLT M4X16	30
038	158869-7	RETAINER COMPLETE	170
039	165555-3	BASE	300
040	266338-5	H.S.SET SCREW(FLAT POINT)M6X6	50
041	325601-6	BLADE CLAMP	240
042	258002-2	SPRING PIN 3-6	30
043	168514-6	SLIDER	400
044	325602-4	SAFETY WIRE	90
045	346031-8	PLATE	60
046	424175-5	POLYURETHANE SPONGE SEAL	50
047	158871-0	GEAR HOUSING COVER COMPLETE (INC. 2)	540
C01	214001-4	UJ5	130
048	265112-8	+PAN HEAD SCREW M4X18	70
A01	A-86561	JIG SAW BLADE NO.51	530
A02	A-86566	JIGSAW BLADE NO.B13	330
A03	783201-2	HEX. WRENCH 3	50