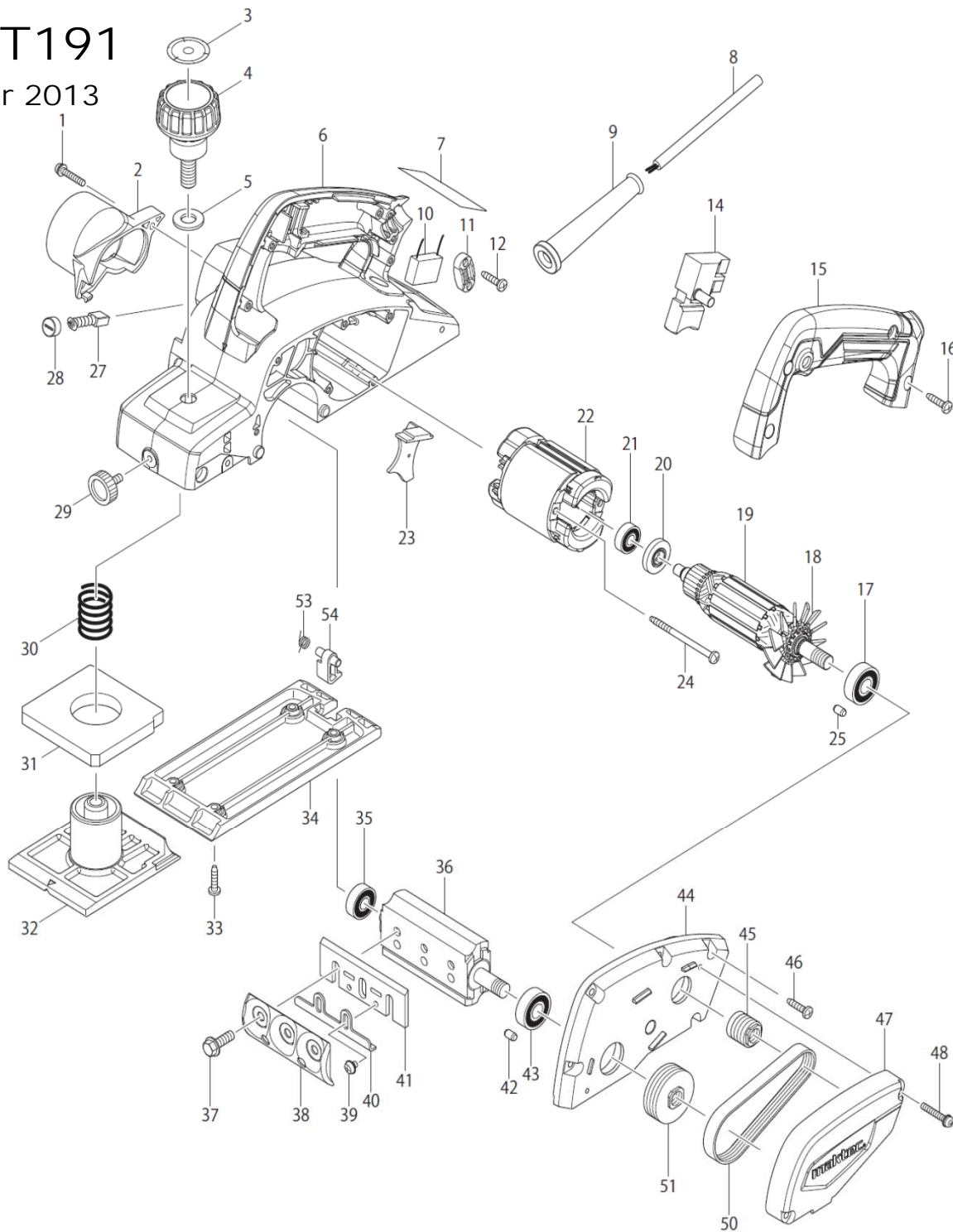


# MT191

Mar 2013



ITEM	PARTNO.	DESCRIPTION	ราคาตั้ง
1	265147-9	+ PAN HEAD SCREW M4X22	110
2	451393-2	CHIP COVER	110
3	893488-9	SCALE LABEL	
4	272408-0	KNOB 44	
5	267278-0	FLAT WASHER 10	70
6	140943-5	MAIN FRAME COMPLETE	1,360
7	643858-0	BRUSH HOLDER 6X9	
9	691780-5	POWER SUPPLY CORD	320
10	682504-0	CORD GUARD 10-85	190
11	687140-7	STRAIN RELIEF	40
12	266326-2	TAPPING SCREW 4X18	30
13	650217-1	SWITCH FA1-6/1B-1 SINGLE W/LOCK	250
14	452811-3	HANDLE COVER	350
15	266326-2	TAPPING SCREW 4X18	30
16	210067-2	BALL BEARING 6000ZZ	150
17	240068-6	FAN 52	150
18	510207-5	ARMATURE ASS'Y 220V	
20	681672-6	INSULATION WASHER	
21	210062-2	BALL BEARING 607ZZ	130
22	593588-2	FIELD ASS'Y 220V	670
22	654501-6	CONNECTOR P-1.25	40
22	654221-2	RING TERMINAL	60
23	452812-1	ASSIST FAN GUIDE	
24	266334-3	TAPPING SCREW 4X60	30
25	263002-9	RUBBER PIN 4	30
27	B-80391	CARBON BRUSH SET CB-411A	
28	643987-9	BRUSH HOLDER CAP 5-8	90
29	265757-2	THUMB SCREW M5X10	60
30	233395-8	COMPRESSION SPRING 18	90
31	421858-8	RUBBER PACKING	100
32	318780-7	FRONT BASE	1,040
33	266326-2	TAPPING SCREW 4X18	30
34	318499-8	BASE	460
35	210029-0	BALL BEARING 608ZZ	130
36	161140-0	DRUM	730
37	265512-2	FLANGE HEX.BOLT M6X17	70
38	345007-2	DRUM PLATE (2PCS/SET)	500
39	265132-2	+ PAN HEAD SCREW M4X5	70
40	345378-7	ADJUST PLATE	90
41	D-16380	82MM HSS PLANER BLADE	
42	263002-9	RUBBER PIN 4	30
43	210067-2	BALL BEARING 6000ZZ	150
44	140944-3	BRACKET COMPLETE	660
45	222163-4	V PULLEY 4-20L	150
46	266326-2	TAPPING SCREW 4X18	30
47	452813-9	BELT COVER	190
48	265101-3	PAN HEAD SCREW M4X25	110
51	222164-2	V PULLEY 4-37	230
53	231698-4	TORSION SPRING 7	50
54	451392-4	FOOT	50
A01	165378-9	GUIDE RULE	220
A02	122695-0	BLADE GAUGE ASS'Y	140
A02	265131-4	PAN HEAD SCREW M5X18	40
A02	418465-6	GAUGE PLATE	60
A03	782229-7	BOX WRENCH 9	150
A04	122694-2	SHARPENING HOLDER ASS'Y	150
A04	341003-8	PRESSURE PLATE	130
A04	266332-7	R.H SQUARE NECK BOLT M6X35	40
A04	252649-4	THUMB NUT M6	60
A05	D-17756	DESSING STONE 150-1200 SET	510