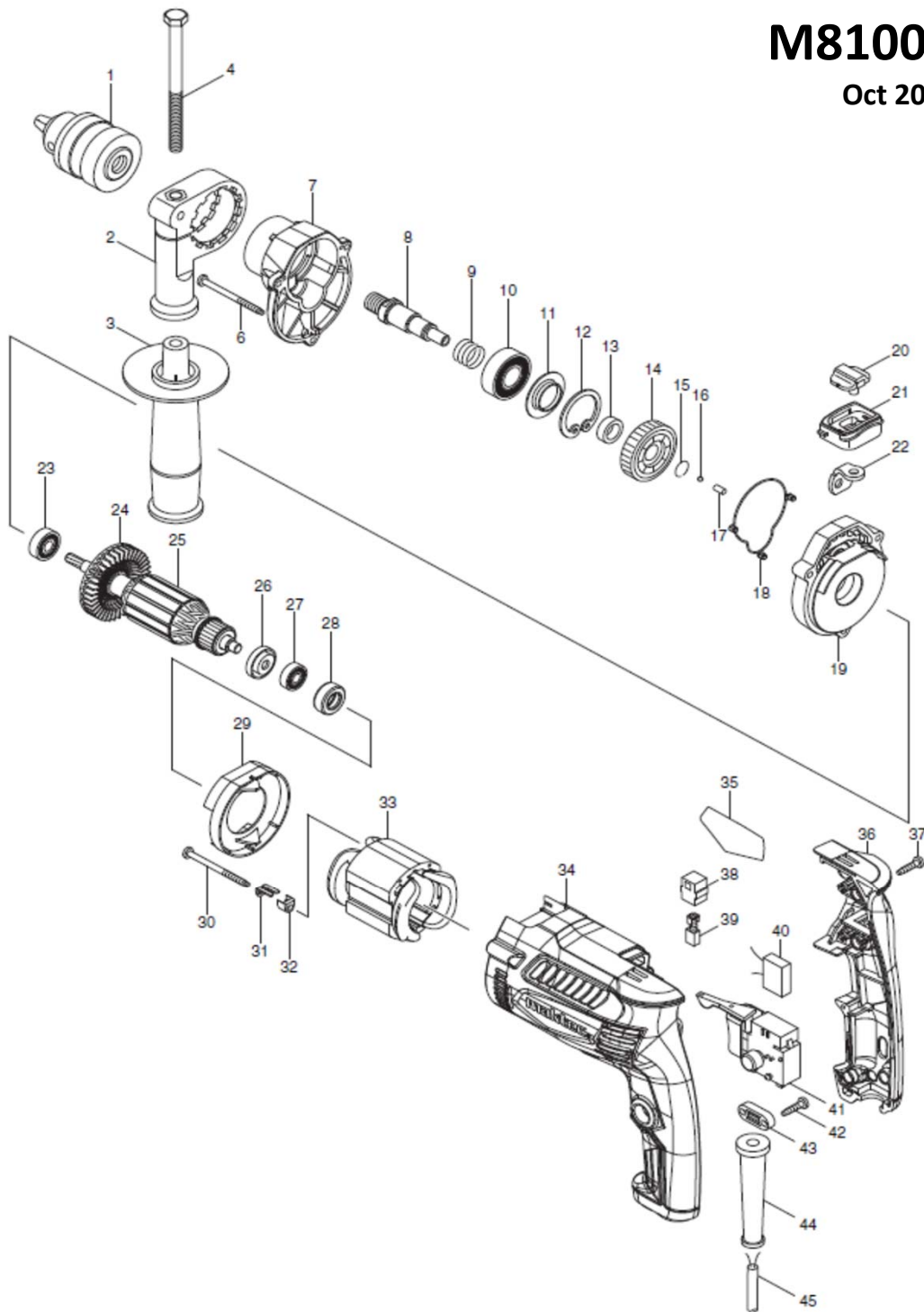


# M8100B

Oct 2022



NO.	PARTS NO.	DESCRIPTION	ราคาตั้ง (บาท)
1	763232-7	DRILL CHUCK S13	360
2	417822-5	GRIP BASE	130
3	153503-4	GRIP 36 COMPLETE	170
4	265495-6	HEX. BOLT M8X110	110
6	265654-2	TAPPING SCREW 4X30	70
7	451907-7	GEAR HOUSING	180
8	327220-4	SPINDLE	550
9	233330-6	COMPRESSION SPRING 16	110
10	211241-5	BALL BEARING 6202DDW	180
11	257246-1	RING 19	100
12	962153-2	RETAINING RING R-35	80
13	257173-2	RING 12	80
14	226589-2	HELICAL GEAR 37	230
15	233938-6	RING SPRING 12	20
16	216001-0	STEEL BALL 3.5	20
17	256251-5	PIN 4	60
18	424112-9	SEAL RING	50
19	140M11-2	GEAR HOUSING COVER COM	550
20	417819-4	CHANGE LEVER	60
21	455991-4	LEVER CASE	70
22	345944-0	CHANGE PLATE	80
23	211031-6	BALL BEARING 608LLB	190
24	241869-5	FAN 55	220
25	510163-9	ARMATURE ASSEMBLY 220V	
26	681636-0	INSULATION WASHER	60
27	210062-2	BALL BEARING 607ZZ	130
28	421808-3	RUBBER RING 19	100
29	450620-4	BAFFLE PLATE	80
30	265649-5	TAPPING SCREW 4X55	40
31	344871-8	RETAINER	80
32	417237-6	INSULATION COVER	100
33	626603-8	FIELD 220V	910
34	458782-2	MOTOR HOUSING	710
35	850X46-8	M8100 NAME PLATE	
36	143262-8	HANDLE COVER COMPLETE	300
36-1	263002-9	RUBBER PIN 4	30
37	265652-6	TAPPING SCREW 4X18	30
38	643566-3	BRUSH HOLDER 5X8	30
39	B-80282	CARBON BRUSH SET CB-85A	
41	650586-0	SWITCH DGQ-1104H	880
42	265652-6	TAPPING SCREW 4X18	30
43	687124-5	STRAIN RELIEF	70
44	682569-2	CORD GUARD 8-85	110
45	691284-7	POWER SUPPLY CORD 0.75-2-2.0	290
46	345280-4	HEX. WASHER	30
A01	321144-6	DEPTH GAUGE	100
A02	418163-2	KEY HOLDER 10	60
A03	763235-1	CHUCK KEY S13	180