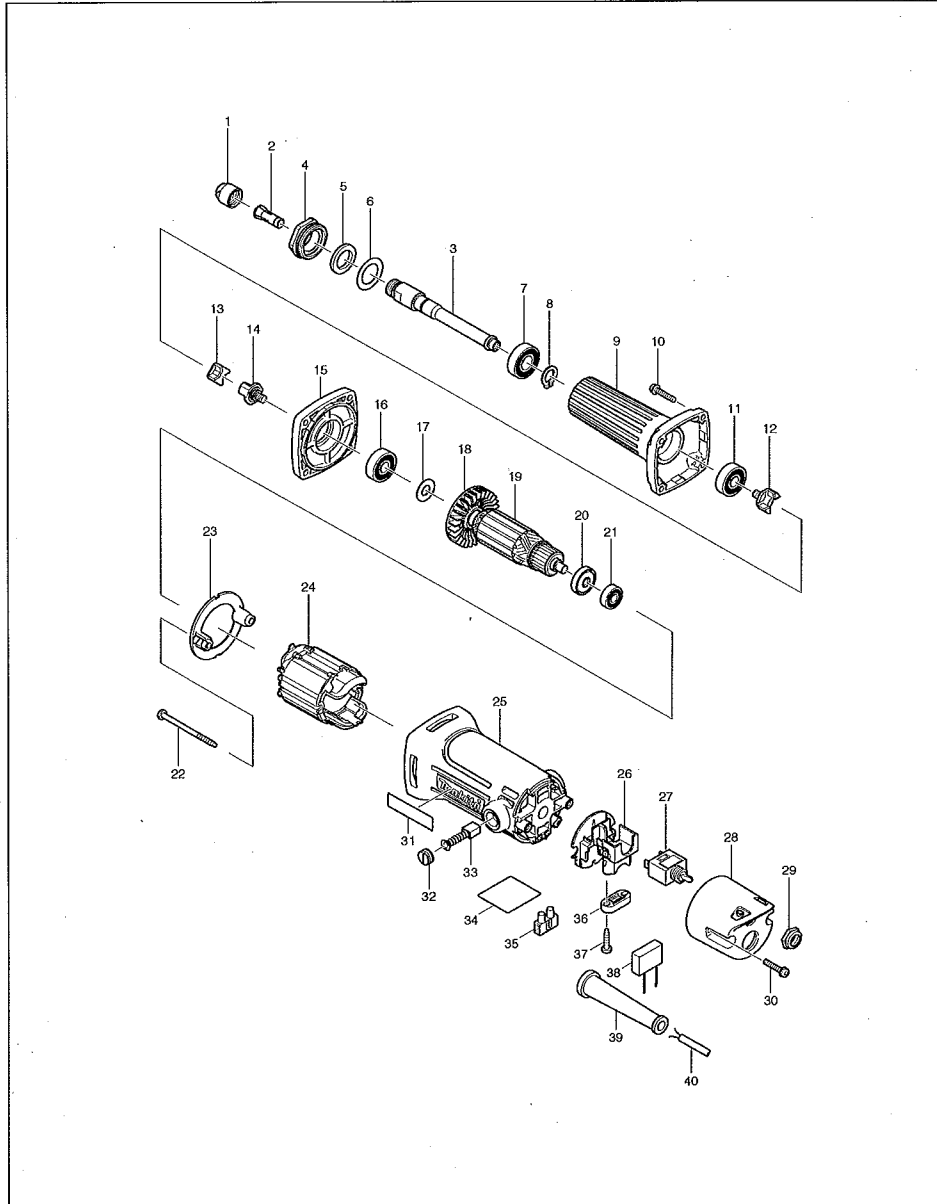


SERVICE DRAWING

MODEL NO. MT910



MODEL

MT910

ITEM	PARTS ID	DESCRIPTION	PRICE/Baht
001	763664-8	COLLET NUT 6	180
002	763665-6	COLLET CONE 6.0	340
003	324638-0	SPINDLE	460
004	317999-5	BEARING RETAINER	170
005	443124-3	FELT RING 17	230
006	267329-9	FLAT WASHER 18	170
007	210107-6	BALL BEARING 6001ZZ	160
008	961052-5	RETAINING RING S-12	40
009	318036-8	BARREL	440
010	265147-9	+ PAN HEAD SCREW M4X22	110
011	210063-0	BALL BEARING 629ZZ	150
012	324639-8	COUPLING	290
013	421942-9	SPACER	150
014	324639-8	COUPLING	290
015	419491-8	HOUSING COVER	130
016	210042-8	BALL BEARING 629LLB	250
017	267237-4	FLAT WASHER 9	100
018	240059-7	FAN 50	110
020	681652-2	INSULATION WASHER	60
021	210034-7	BALL BEARING 607LLB	180
022	266334-3	TAPPING SCREW 4X60	30
023	419493-4	BAFFLE PLATE	90
025	188169-1	MOTOR HOUSING	540
026	419227-5	SUPPORT	110
027	651424-9	SWITCH STL106AT	170
028	419492-6	REAR COVER	130
029	652113-9	HEX. NUT M12-16	90
030	265147-9	+ PAN HEAD SCREW M4X22	110
031	819126-5	MAKTEC LOGO LABEL	70
032	643987-9	BRUSH HOLDER CAP 5-8	90
035	654588-8	TERMINAL BLOCK	90
036	687124-5	STRAIN RELIEF	70
037	266326-2	TAPPING SCREW 4X18	30
039	682569-2	CORD GUARD 8-85	110
040	691284-7	POWER SUPPLY CORD 0.75-2-2.0	290
A01	781039-9	WRENCH 13	150
A02	741625-8	WHEEL POINT 19-60	160
A03	741626-6	WHEEL POINT 19-60	150
A04	794217-2	DRESSING STONE	340