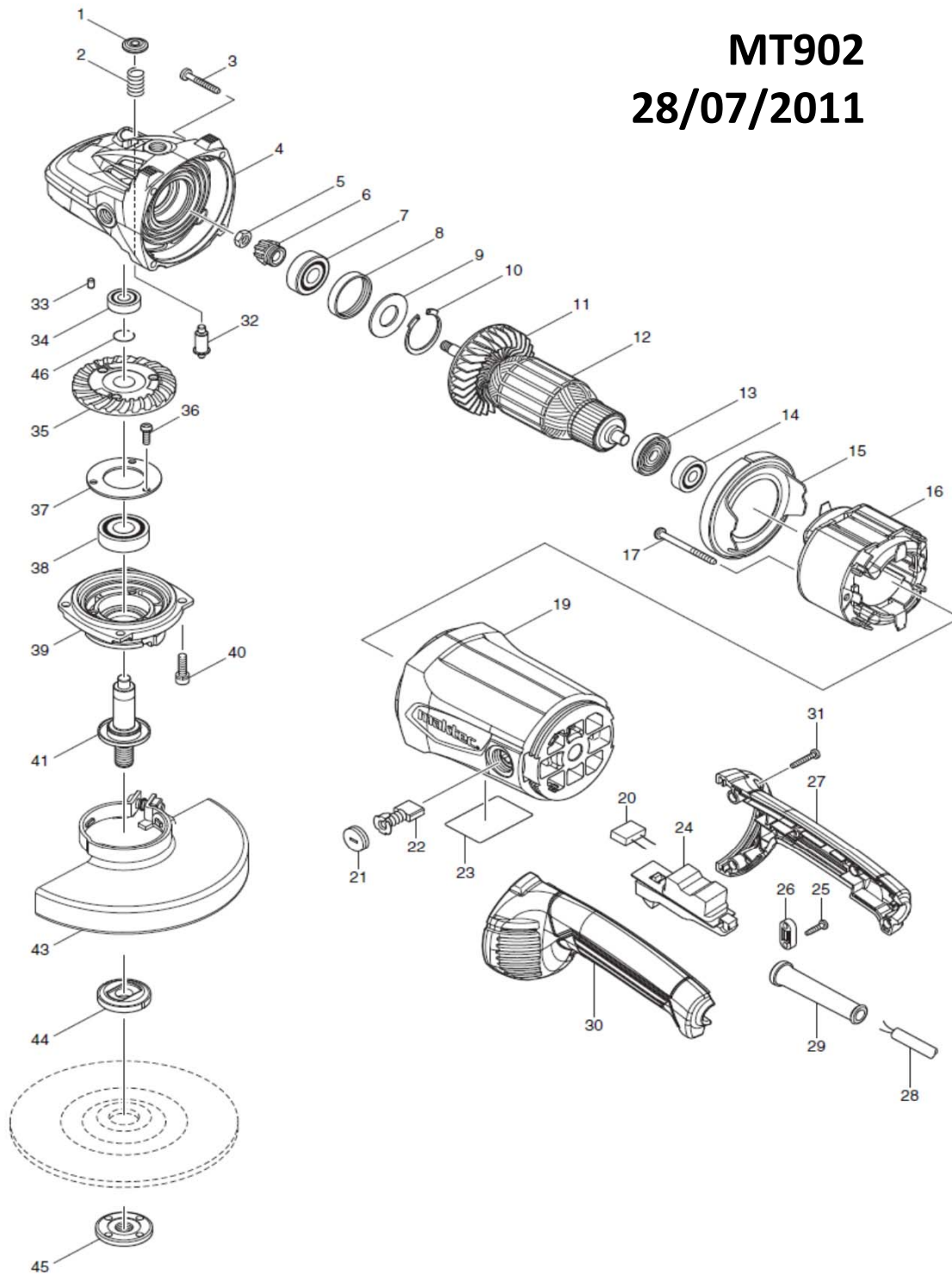


MT902

28/07/2011



NO.	PARTS NO.	DESCRIPTION	ราคาตั้ง (บาท)
001	419133-4	PIN CAP	100
002	233292-8	COMPRESSION SPRING 12	40
003	266373-3	TAPPING SCREW 5X35	70
004	140496-4	GEAR HOUSING COMPLETE	830
005	252194-9	HEX. NUT M8	110
006	227488-1	SPIRAL BEVEL GEAR 16	350
007	210103-4	BALL BEARING 6301ZZ	220
008	262085-6	RUBBER RING 38	100
009	267299-2	FLAT WASHER 20	110
010	962211-4	RETAINING RING R-42	150
011	240081-4	FAN 80	250
012	516948-1	ARMATURE ASS'Y 220-240V	
013	681630-2	INSULATION WASHER	150
014	210070-3	BALL BEARING 6200ZZ	180
015	419135-0	BAFFLE PLATE	110
016	596278-6	FIELD ASS'Y 220V	
016	654197-3	RING TERMINAL	80
016	654502-4	CONNECTOR P-2	50
017	266352-1	TAPPING SCREW 5X65	50
019	643564-7	BRUSH HOLDER	240
019	140495-6	MOTOR HOUSING COMPLETE	800
021	643700-5	BRUSH HOLDER CAP 7-18	110
022	B-80357	CARBON BRUSH SET CB-204A	
023	868221-8	MT902 NAME PLATE	
024	651184-3	SWITCH HY44C	550
025	266326-2	TAPPING SCREW 4X18	30
026	687140-7	STRAIN RELIEF	40
027	188895-2	HANDLE SET	500
028	691780-5	POWER SUPPLY CORD 0.75-2-5.0	320
029	682574-9	CORD GUARD 10-90	90
030	188895-2	HANDLE SET	500
031	266374-1	TAPPING SCREW 4X25	30
032	256491-5	SHOULDER PIN 5	110
033	263002-9	RUBBER PIN 4	30
034	210067-2	BALL BEARING 6000ZZ	150
035	227489-9	SPIRAL BEVEL GEAR 53 B	680
036	265120-9	PAN HEAD SCREW M5X16	110
037	285724-1	BEARING RETAINER 50	110
038	211285-5	BALL BEARING 6203DDW	230
039	318617-8	BEARING BOX	390
040	265541-5	HEX. SOCKET HEAD BOLT M6X22	100
041	158209-9	SPINDLE COMPLETE	440
043	265198-2	+PAN HEAD SCREW M8X25	70
043	213017-6	O RING 6	20
043	122890-2	WHEEL COVER 180K ASS'Y	
044	224415-9	INNER FLANGE 42	200
045	224543-0	LOCK NUT 14-45	260
046	233946-7	RING SPRING 15	70
A01	152539-0	GRIP 36 COMPLETE	320
A02	782407-9	LOCK NUT WRENCH 35	320