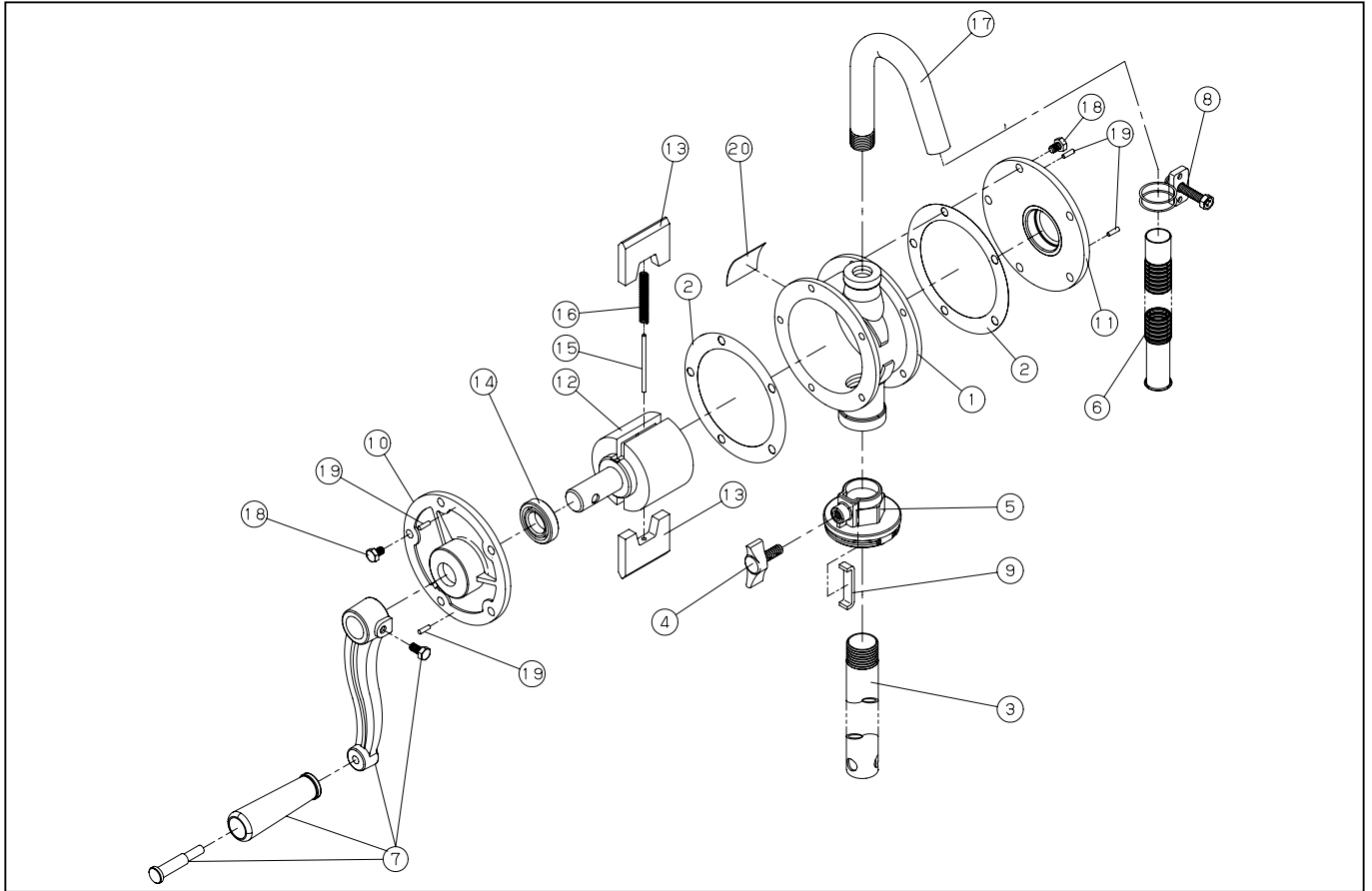


SB-25



DWG No.001851618 MODEL:SB-25 FORM:SB-25-BAA-0

No.	PARTS CODE	PARTS NAME	QTY	MATERIAL	SIZE	REMARKS
1	001002212	PUMP BODY	1			
2	001003502	COVER PACKING	2	THREE SHEETS		
3	001005903	SUCTION PIPE	1	ELECTRICAL WIRE PIPE		
4	001001505	WING BOLT	1	PC		
5	001006506	LARGE SCREW	1	ADC		
6	001012302	DELIVERY HOSE	1	PE		
7	001801201	HANDLE ASSY	1			
8	940019028	HOSE BAND	1		Φ 28	
9	001005001	STOPPER	1			
10	001002315	FRONT COVER	1	FC-20		
11	001002411	REAR COVER	1	FC-20		
12	001002511	SHAFT	1	FC-20		
13	001028804	IMPELLER	2	PPS		
14	001034701	OIL SEAL	1	NBR		
15	001003201	SPRING GUIDE	1	SS	4X70	
16	001003101	SPRING	1	SWP		
17	001003002	BEND	1	STKM		
18	735718145	HEXAGON BOLT	10		M8X14	
19	848009189	TAPER PIN	4		Φ 4x12	
20	001008502	NAME PLATE	1	T FILM		
	001015105	PACKING CASE	1			