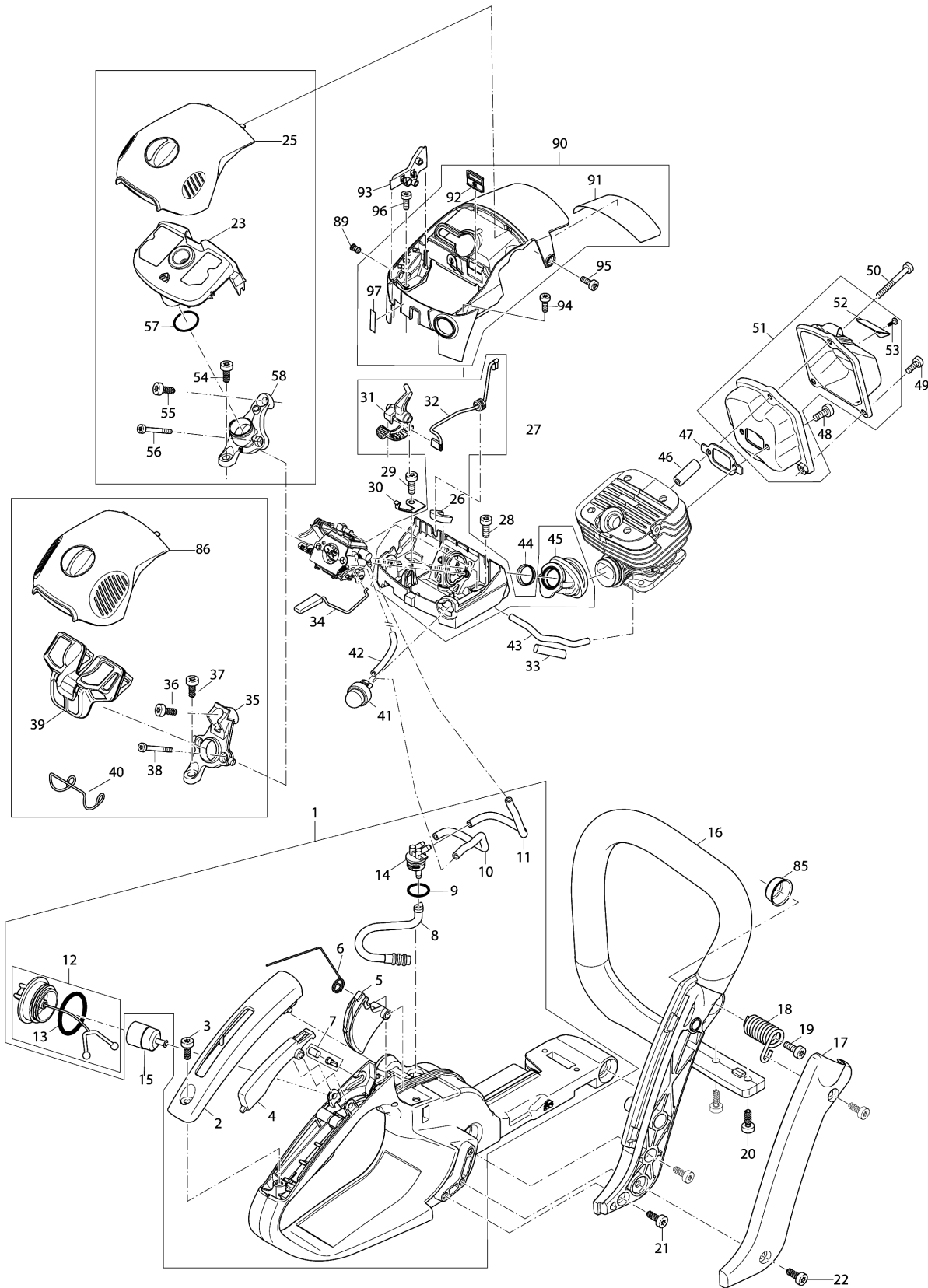
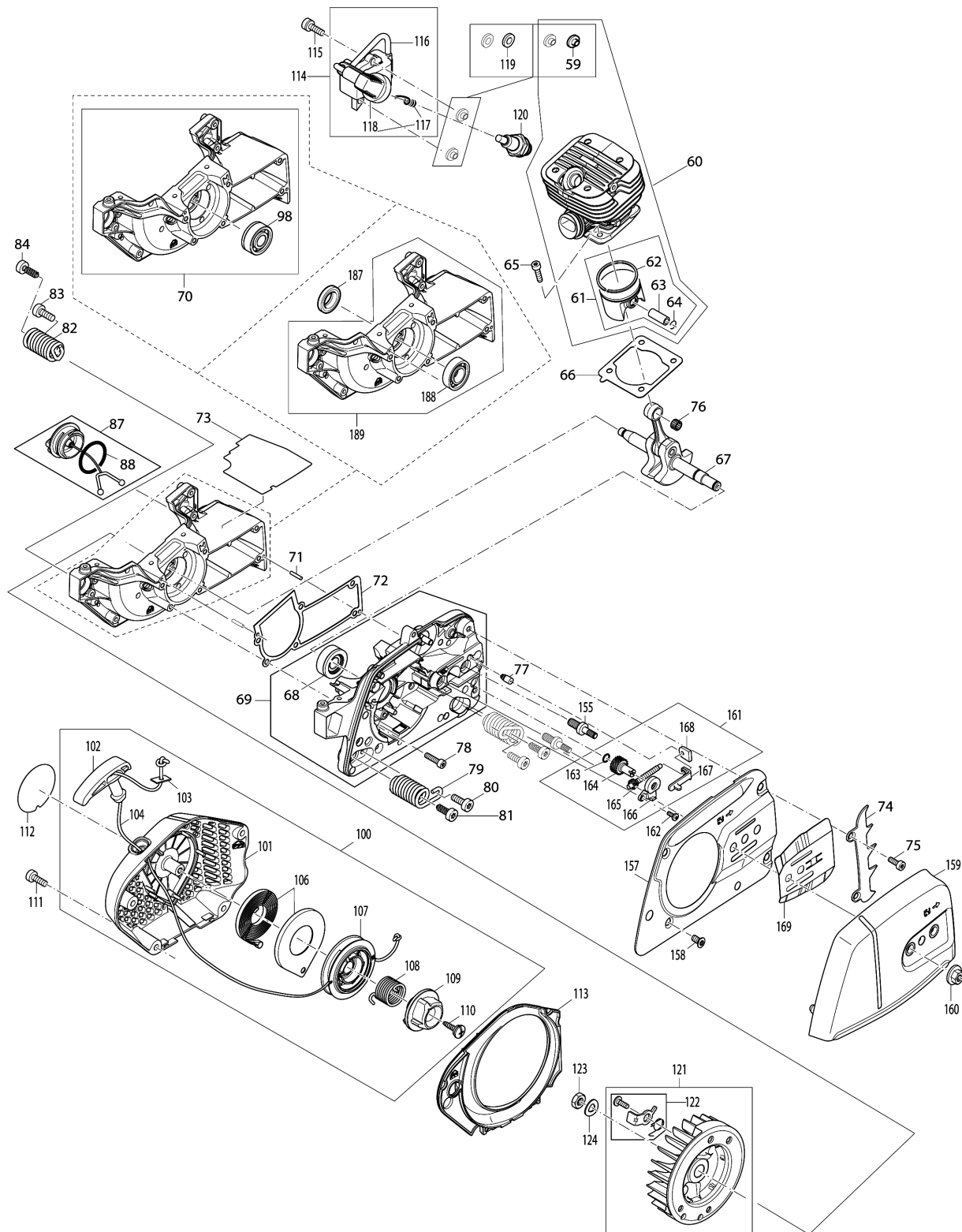


# Model No.DCS3500 ENGINE CHAIN SAW



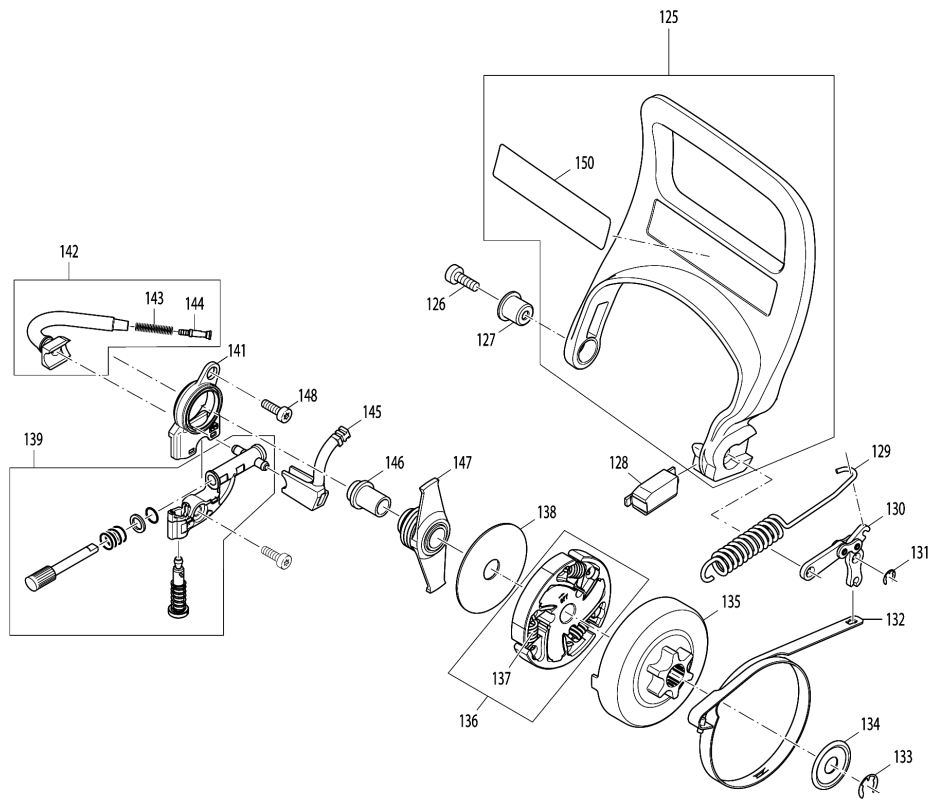


### Model No.DCS3500 ENGINE CHAIN SAW



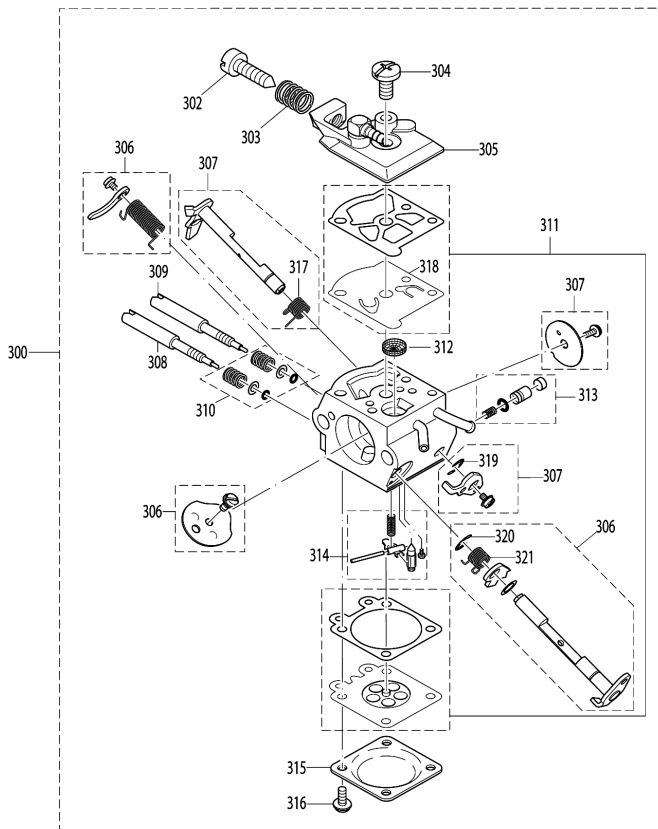
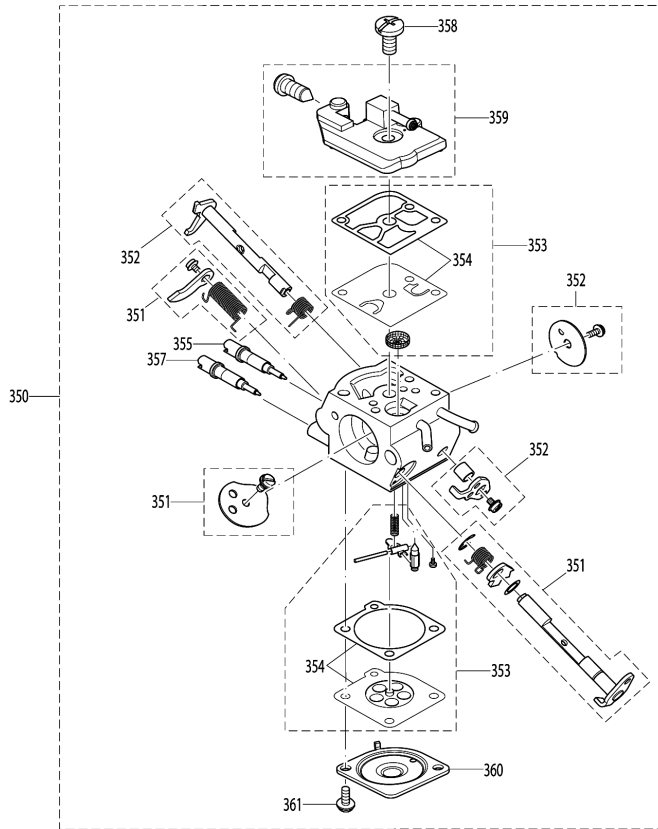


# Model No.DCS3500 ENGINE CHAIN SAW





### Model No.DCS3500 ENGINE CHAIN SAW







## Model No.DCS3500 ENGINE CHAIN SAW

รายการ	รหัสอะไหล่	รายละเอียด	การ แลกเปลี่ยน	จำนวน	New/Old	ขาย	ซื้อ	ข้อความ
001	195114672	FUEL TANK CPL. BLUE		1				
D10		INC. 2-12,14						
002	456143-0	GRIP OUTER SHELL		1				
003	266478-9	H.L.TAPPING SCREW 5.5X16		1				
004	456142-2	CATCH LEVER		1				
005	456141-4	THROTTLE LEVER		1				
006	231866-9	TORSION SPRING 10		1				
007	195762-4	AIR VALVE SET		1				
008	424456-7	FUEL LINE		1				
009	213586-7	O RING 11.5		1				
010	424756-5	TUBE 2.5-118		1				
011	424757-3	TUBE 3.0-93		1				
012	181114202	TANK CAP CPL.		1	*			
D10		INC. 13			*			
012-1	168507-3	TANK CAP COMPLETE	O	1				
D10		INC. 13						
013	213080-9	O RING 29.5		1				
014	452018-1	FUEL NIPPLE		1				
015	163447-0	FUEL FILTER		1				
016	195310010	FRONT HANDLE		1	*			
016-1	456140-6	TUBULAR HANDLE	O	1				
017	456151-1	SIDE COVER MAKITA BLUE		1				
018	234189-4	COMPRESSION SPRING 12		1				
019	266605-8	H.L. SOCKET HEAD BOLT M5X16		1				
020	266478-9	H.L.TAPPING SCREW 5.5X16		2				
021	266478-9	H.L.TAPPING SCREW 5.5X16		2				
022	266478-9	H.L.TAPPING SCREW 5.5X16		2				
023	123453-7	AIR FILTER FLEECE CPL.		1				
023A_	123452-9	AIR FILTER CPL.NYLON		1				
025	195118550	AIR FILTER COVER BLACK		1				
026	424752-3	PACKING RING		1				
027	195131301	CARBURETOR HOUSING CPL.		1				
D10		INC. 26,31,32,45						
028	266605-8	H.L. SOCKET HEAD BOLT M5X16		1				
029	266605-8	H.L. SOCKET HEAD BOLT M5X16		1				
030	195155050	CONTACT SPRING		1	*			
030-1	347357-1	CONTACT SPRING	O	1				
031	456139-1	CHOKE LEVER		1				
032	632F41-0	SHORT-CIRCUIT CABLE		1				

Please order the parts with part number.

Print Date 24/8/2021

## Model No.DCS3500 ENGINE CHAIN SAW

รายการ	รหัสอะไหล่	รายละเอียด	การ แลกเปลี่ยน	จำนวน	New/Old	ขาย	ซื้อ	ข้อความ
033	424759-9	ISOLATING TUBE 6-30		1				
034	143330-7	THROTTLE LINKAGE		1				
035	195171010	AIR SUCTION PIPE		1	*			
036	266478-9	H.L.TAPPING SCREW 5.5X16		1	*			
037	266478-9	H.L.TAPPING SCREW 5.5X16		1	*			
038	251478-2	H.L. SOCKET HEAD BOLT M4X40		2	*			
039	195173100	AIR FILTER ELEMENT NYLON MESH		1	*			
040	325593-9	CLIP		1	*			
041	168398-2	PRIMER PUMP		1				
042	424754-9	TUBE 2.5-55		1				
043	424755-7	TUBE 2.5-93		1				
044	346413-4	BUSH 17		1				
045	424753-1	INTAKE HOSE		1				
046	038174030	SLEEVE 5 L=26.8MM		1	*			
046-1	325939-9	CONNECTING LINK	O	1				
047	346304-9	GASKET		1				
048	266605-8	H.L. SOCKET HEAD BOLT M5X16		2				
049	909005105	H.L. SOCKET HEAD BOLT M5X10		2	*			
049-1	266612-1	H.L. SOCKET HEAD BOLT M5X10	O	2				
050	908305405	H.L. SOCKET HEAD BOLT M5X40		1	*			
050-1	266943-8	H.L. SOCKET HEAD BOLT M5X40	O	1				
051	195174500	MUFFLER		1				
D10		INC. 52,53						
052	352027-9	SPARK ARRESTER SCREEN		1				
053	914535105	SELF TAPPING SCREW 3.5X9.5		1	*			
053-1	251477-4	SCREW 3.5X9.5	O	1				
054	266478-9	H.L.TAPPING SCREW 5.5X16		1				
055	266478-9	H.L.TAPPING SCREW 5.5X16		1				
056	251478-2	H.L. SOCKET HEAD BOLT M4X40		2				
057	213085-9	O-RING 20		1				
058	195171020	AIR SUCTION PIPE		1	*			
058-1	456135-9	INTAKE MANIFOLD	O	1				
059	451462-9	ISOLATING WASHER		2				
060	194131201	CYLINDER & PISTON CPL.		1				
D10		INC. 59,61						
061	194132100	PISTON, PISTON RING & PIN SET		1				
D10		INC. 62-64						

Please order the parts with part number.

Print Date 24/8/2021

## Model No.DCS3500 ENGINE CHAIN SAW

รายการ	รหัสอะไหล่	รายละเอียด	การ แลกเปลี่ยน	จำนวน	New/Old	ขาย	ซื้อ	ข้อความ
062	194132020	PISTON RING		1				
063	268339-9	PISTON PIN 9		1				
064	195132050	CIRCLIP		2				
065	266960-8	H.L. SOCKET HEAD BOLT M5X20		4				
066	346925-7	CYLINDER BASE GASKET		1				
067	195120300	CRANKSHAFT CPL.		1				
068	219024-7	DEEP GROOVE BALL BEARING		1				
069	195111612	CRANKCASE RIGHT SIDE CPL. BLUE		1				
D10		INC. 68						
070	195111622	CRANKCASE LEFT SIDE CPL. BLUE		1	*			
D10		INC. 98			*			
071	951063-8	SPRING PIN 3-16		2				
072	346924-9	CRANK CASE GASKET		1				
073	346928-1	HEAT PROTECTION FOIL		1				
074	346301-5	SPIKE BAR		1				
075	266605-8	H.L. SOCKET HEAD BOLT M5X16		2				
076	962210092	NEEDLE CAGE		1				
077	168504-9	VENT VALVE		1				
078	266960-8	H.L. SOCKET HEAD BOLT M5X20		6				
079	234189-4	COMPRESSION SPRING 12		2				
080	266605-8	H.L. SOCKET HEAD BOLT M5X16		2				
081	266478-9	H.L.TAPPING SCREW 5.5X16		2				
082	234189-4	COMPRESSION SPRING 12		1				
083	266605-8	H.L. SOCKET HEAD BOLT M5X16		1				
084	266478-9	H.L.TAPPING SCREW 5.5X16		1				
085	195114160	SPRING GUIDING HEAD		1	*			
085-1	346517-2	CUP WASHER 6	O	1				
086	195118241	AIR FILTER COVER RED		1	*			
086-1	195118601	AIR FILTER COVER GREY		1				
087	168507-3	TANK CAP COMPLETE		1				
D10		INC. 88						
088	213080-9	O RING 29.5		1				
089	195151300	BLIND PLUG		1				
090	195118654	ENGINE HOOD CPL. BLUE		1	*			
D10		INC. 91,92,97			*			
090-1	161368-0	HOOD COMPLETE BLACK		1				
D10		INC. 91,92,97						
091	346929-9	PROTECTION FILM HOOD		1				

Please order the parts with part number.

Print Date 24/8/2021

## Model No.DCS3500 ENGINE CHAIN SAW

รายการ	รหัสอะไหล่	รายละเอียด	การ แลกเปลี่ยน	จำนวน	New/Old	ขาย	ซื้อ	ข้อความ
092	195118141	ANTI ICING PLATE		1	*			
092-1	456157-9	SHUTTER PLATE	O	1				
093	195155031	ADJUSTING GUIDE		1	*			
093-1	456138-3	GUIDE	O	1				
094	266605-8	H.L. SOCKET HEAD BOLT M5X16		1				
095	266605-8	H.L. SOCKET HEAD BOLT M5X16		1				
096	266605-8	H.L. SOCKET HEAD BOLT M5X16		1				
097	816917-5	INDICATION LABEL		1				
098	219024-7	DEEP GROOVE BALL BEARING		1	*			
100	161365-6	STARTER COMPLETE BLUE		1				
D10		INC. 101-104,106-110						
101	195160691	STARTER HOUSING BLUE		1				
102	195160070	STARTER GRIP		1	*			
102-1	453783-5	STARTER GRIP	O	1				
103	267847-7	SQUARE WASHER 4		1				
104	444038-9	STARTER ROPE		1				
106	195160110	REWIND SPRING		1	*			
106-1	195955-3	REWIND SPRING SET	O	1				
107	453785-1	REEL		1	*			
107-1	455919-2	REEL		1				
108	234253-1	TORSION SPRING 20		1				
109	195160020	STARTER WHEEL		1				
110	266777-9	TAPPING SCREW 5X12		1				
111	266605-8	H.L. SOCKET HEAD BOLT M5X16		4				
112	980115163	LABEL DCS3500		1				
113	456137-5	AIR GUIDE PLATE		1				
114	195143200	IGNITION COIL CPL.		1	*			
D10		INC. 116,118			*			
114-1	161357-5	IGNITION COIL COMPLETE	O	1	*			
D10		INC. 116-118			*			
114-2	161357-5	IGNITION COIL COMPLETE	O	1				
D10		INC. 116-118						
115	266472-1	TORX SOCKET HEAD BOLT M5X20		2				
116	444042-8	ISOLATING TUBE 6-80		1				
117	234358-7	TERMINAL SPRING		1				
118	957604220	PLUG CAP CPL.		1	*			
D10		INC. 117			*			
118-1	424750-7	PLUG CAP	<	1				
119	195143020	ISOLATION WASHER		2	*			

Please order the parts with part number.

Print Date 24/8/2021

## Model No.DCS3500 ENGINE CHAIN SAW

รายการ	รหัสอะไหล่	รายละเอียด	การ แลกเปลี่ยน	จำนวน	New/Old	ขาย	ซื้อ	ข้อความ
120	168648-5	SPARK PLUG (BPMR7A)		1				
121	143331-5	FLYWHEEL COMPLETE		1				
D10		INC. 122						
122	185166100	STARTER RATCHET SET(2PCS EACH)		1				
123	920308024	HEX. NUT M8X1 (FINE THREAD)		1	*			
123-1	264022-6	HEX. NUT M8X1	O	1				
124	926208001	SPRING WASHER 8		1	*			
124-1	267822-3	SPRING WASHER 8	O	1				
125	195213500	HAND GUARD CPL.		1	*			
D10		INC. 150			*			
125-1	195213502	HAND GUARD COMPLETE	<	1				
D10		INC. 150						
126	266605-8	H.L. SOCKET HEAD BOLT M5X16		1				
127	181213320	BUSHING		1	*			
127-1	325604-0	BUSH	O	1				
128	181213170	HANDGUARD GUIDE,CPL.		1	*			
128-1	450926-0	STOPPER CASE	O	1				
129	181213023	TENSION SPRING		1	*			
129-1	231870-8	TENSION SPRING 10	O	1				
130	163500-2	LINK PLATE COMPLETE		1				
131	961011-9	STOP RING E-4		1				
132	346029-5	BRAKE BAND		1				
133	259045-7	STOP RING E-8		1				
134	267820-7	WASHER 29		1				
135	143339-9	CLUTCH DRUM COMPLETE		1				
136	181180300	CLUTCH ASSY		1	*			
D10		INC. 137			*			
136-1	127443-2	CLUTCH ASSEMBLY	O	1				
D10		INC. 137						
137	232352-3	TENSION SPRING 6		3	*			
137-1	232352-3	TENSION SPRING 6	O	3				
138	267389-1	FLAT WASHER 12		1				
139	161346-0	OIL PUMP COMPLETE		1				
141	195245140	OIL PUMP COVER		1				
142	144274-4	TUBE COMPLETE		1				
D10		INC. 143,144						
143	231975-4	SPRING		1				
144	001245020	HOSE STEM		1				
145	181245120	OIL LINE		1	*			

Please order the parts with part number.

Print Date 24/8/2021

## Model No.DCS3500 ENGINE CHAIN SAW

รายการ	รหัสอะไหล่	รายละเอียด	การ แลกเปลี่ยน	จำนวน	New/Old	ขาย	ซื้อ	ข้อความ
145-1	424178-9	OIL TUBE	O	1				
146	195245010	BUSHING		1	*			
146-1	326596-6	BUSH	O	1				
147	181245090	PUMP DRIVE		1	*			
147-1	450956-1	PUMP DRIVE	O	1				
148	266605-8	H.L. SOCKET HEAD BOLT M5X16		2				
150	810449-4	CAUTION LABEL		1	*			
150-1	818N32-5	CAUTION LABEL	<	1				
155	266978-9	BOLT		2				
157	346927-3	CHAIN BRAKE COVER		1				
158	266477-1	H.L. C.S. HEAD SCREW M5X12		2				
159	195213601	SPROCKET GUARD CPL. BLUE		1	*			
159-1	161791-9	SPROCKET GUARD CPL. MAKITA	O	1				
160	923208004	HEX. FLANGE NUT M8(BAR NUT)		2	*			
160-1	252145-2	COLLARED HEX NUT M8	O	2				
161	195213300	CHAIN TENSIONER COMPLETE		1				
D10		INC. 163-168						
162	251480-5	TAPPING SCREW ST3.5X9.5		1				
163	213594-8	O RING 7		1				
164	181213250	ADJUSTING SCREW		1	*			
164-1	227744-9	HELICAL GEAR 18	O	1				
165	181213230	TENSIONING SCREW		1	*			
165-1	227743-1	HELICAL GEAR 11	O	1				
166	452667-4	GEAR COVER PROFESSIONAL		1				
167	346300-7	TENSION SLIDE		1				
168	181213260	TENSIONING SCREW BEARING		1				
169	346518-0	GUIDE PLATE		1				
187	213141-5	OIL SEAL 12		1				
188	960102131	BALL BEARING 6201		1				
189	195111662	CRANKCASE LEFT SIDE CPL. BLUE		1	*			
D10		INC. 188			*			
189-1	144394-4	CRANKCASE MS COMPLETE BLUE	O	1				
D10		INC. 188						
300	195151102	CARBURETOR CPL.		1	*			
D10		INC. 302-316			*			
302	378151210	IDLE STOP SCREW		1	*			
303	021151230	PRESSURE SPRING		1	*			
304	118151190	SCREW		1	*			
305	195151350	PUMP COVER		1	*			

Please order the parts with part number.

Print Date 24/8/2021

## Model No.DCS3500 ENGINE CHAIN SAW

รายการ	รหัสอะไหล่	รายละเอียด	การ แลกเปลี่ยน	จำนวน	New/Old	ขาย	ซื้อ	ข้อความ
306	957151210	KIT CHOKE SHAFT		1	*			
D10		INC. 320,321			*			
307	957151200	KIT THROTTLE SHAFT		1	*			
D10		INC. 317,319			*			
308	195151530	MAIN ADJUSTMENT SCREW		1	*			
309	195151520	IDLE ADJUSTMENT SCREW		1	*			
310	957151240	SET SPRINGS / WASHERS		1	*			
311	957151220	SET DIAPHRAGM / GASKETS		1	*			
D10		INC. 318			*			
312	021151180	SCREEN		1	*			
313	957151070	ACCELERATOR PUMP SET		1	*			
314	957151230	SET OF CONTROL PARTS		1	*			
315	021151120	DIAPHRAGM COVER		1	*			
316	378151220	SCREW		4	*			
317	001151310	SPRING		1	*			
318	021151150	PUMP DIAPHRAGM,RUBBER		1	*			
319	119151350	SHAFT CLIP		1	*			
320	119151350	SHAFT CLIP		1	*			
321	195151490	SPRING		1	*			
350	195153101	CARBURETOR (NON REGULATED)		1	*			
D10		INC. 351-353,355,357-361			*			
350-1	161370-3	CARBURETOR DM24B	O	1				
D10		INC. 351-353,355,357-361						
351	195153580	CHOKE SHAFT SET		1				
352	195153570	THROTTLE SHAFT SET		1				
353	195153510	REPAIR KIT		1				
D10		INC. 354						
354	195153500	GASKETS & DIAPHRAGM SET		1				
355	ZJ00000026	SCREW,IDLE MIXTURE		1				
357	ZJ00000039	SCREW,MAIN MIXTURE		1				
358	038153360	SCREW		1				
359	195153230	PUMP COVER CPL.		1				
360	ZJ00000028	COVER,METERING		1				
361	ZJ00000014	SCREW (WITH SERRATION)		2				
A01	442030661	GUIDE BAR STD 12"3/8".050" M		1	*			
A01-1	165200-0	GUIDE BAR 12	O	1				
A01A_	165200-0	GUIDE BAR 12		1	*			
A01A1	165200-0	GUIDE BAR 12	O	1				
A01B_	442035661	GUIDE BAR STD 14"3/8".050" M		1				

Please order the parts with part number.

Print Date 24/8/2021

## Model No.DCS3500 ENGINE CHAIN SAW

รายการ	รหัสอะไหล่	รายละเอียด	การ แลกเปลี่ยน	จำนวน	New/Old	ขาย	ซื้อ	ข้อความ
A01C_	165201-8	GUIDE BAR 14		1	*			
A01C1	165201-8	GUIDE BAR 14	O	1				
A01D_	442040661	GUIDE BAR STD 16" 3/8" .050" M		1				
A01E_	165202-6	GUIDE BAR 16		1	*			
A01E1	165202-6	GUIDE BAR 16	O	1				
A02	531492646	SAW CHAIN 3/8LP.050" L46 CC M		1				
D10		INC. A03,A04						
A02A_	196211-4	SAW CHAIN 12 SET		1	*			
D10		INC. A03,A04			*			
A02A1	196211-4	SAW CHAIN 12 SET	O	1				
D10		INC. A03,A04						
A02B_	196206-7	SAW CHAIN SET		1				
D10		INC. A03,A04						
A02C_	196442-5	SAW CHAIN SET		1				
A02D_	531492652	SAW CHAIN 3/8LP.050" L52 CC M		1				
D10		INC. A03,A04						
A02E_	196212-2	SAW CHAIN 14 SET		1	*			
D10		INC. A03,A04			*			
A02E1	196212-2	SAW CHAIN 14 SET	O	1				
D10		INC. A03,A04						
A02F_	196207-5	SAW CHAIN SET		1				
D10		INC. A03,A04						
A02G_	196443-3	SAW CHAIN SET		1				
D10		INC. A03,A04						
A02H_	958492656	SAW CHAIN 3/8LP.050" L56 CC M		1				
D10		INC. A03,A04						
A02I_	196213-0	SAW CHAIN 16 SET		1	*			
D10		INC. A03,A04			*			
A02I1	196213-0	SAW CHAIN 16 SET	O	1				
D10		INC. A03,A04						
A02J_	196208-3	SAW CHAIN SET		1				
D10		INC. A03,A04						
A02K_	196444-1	SAW CHAIN SET		1				
D10		INC. A03,A04						
A03	558092000	TIE STRAP 3/8LP 1.3MM/.050"		1				
A04	558092010	TIE STRAP WITH RIVETS 3/8LP050		1				
A10	419559-0	CHAIN PROTECTION COVER 330		1				

Please order the parts with part number.

Print Date 24/8/2021



## Model No.DCS3500 ENGINE CHAIN SAW

รายการ	รหัสอะไหล่	รายละเอียด	การ แลก เปลี่ยน	จำนวน	New/Old	ขาย	ชื่อ	ข้อความ
A10A_	952010640	BAR COVER 14-17" 35-43CM MAKITA		1	*			
A10A1	419560-5	CHAIN PROTECTION COVER 430	O	1				
A12	941719133	UNIVERSAL WRENCH 13/19		1	*			
A12-1	782033-4	UNIVERSAL WRENCH 13/19	O	1				
A13	940827000	HEXALOBULAR ANGLED DRIVER T27		1	*			
A13-1	782025-3	TORX WRENCH	O	1				
A14	783012-5	SCREWDRIVER		1				

Please order the parts with part number.

Print Date 24/8/2021