

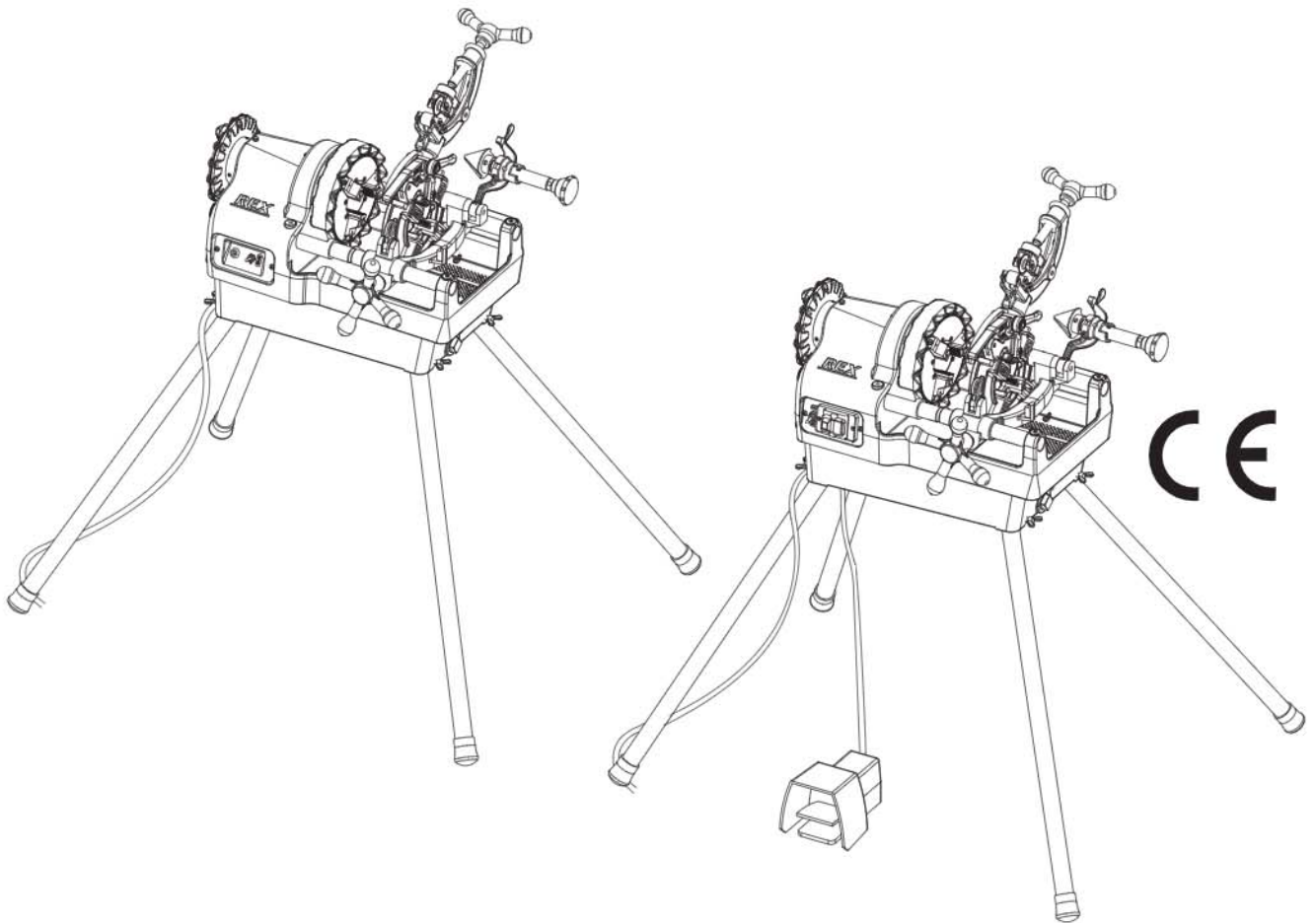
REX

PIPE THREADING MACHINE

NP80A Series

PARTS LIST

As of March 2011

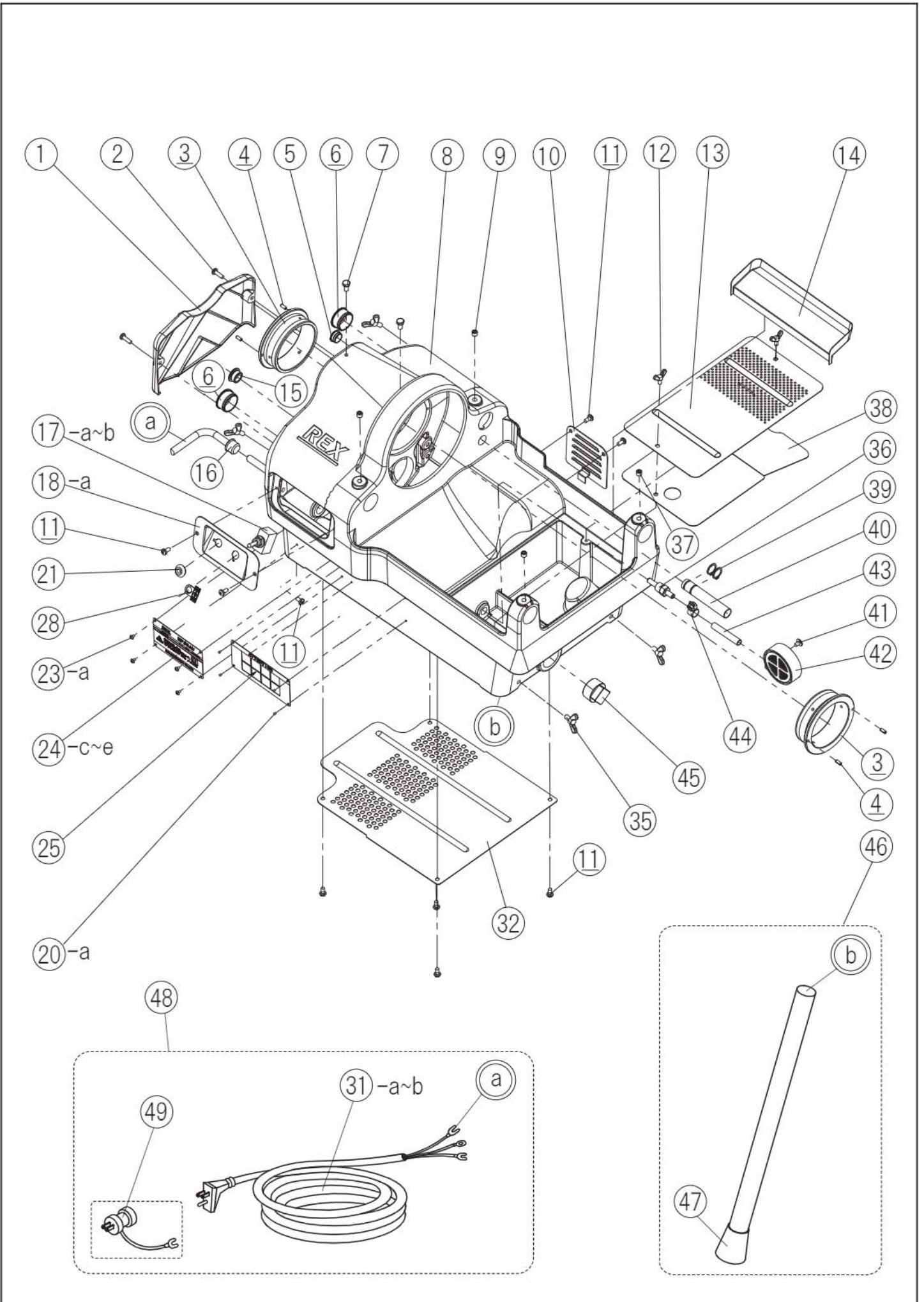


CONTENTS

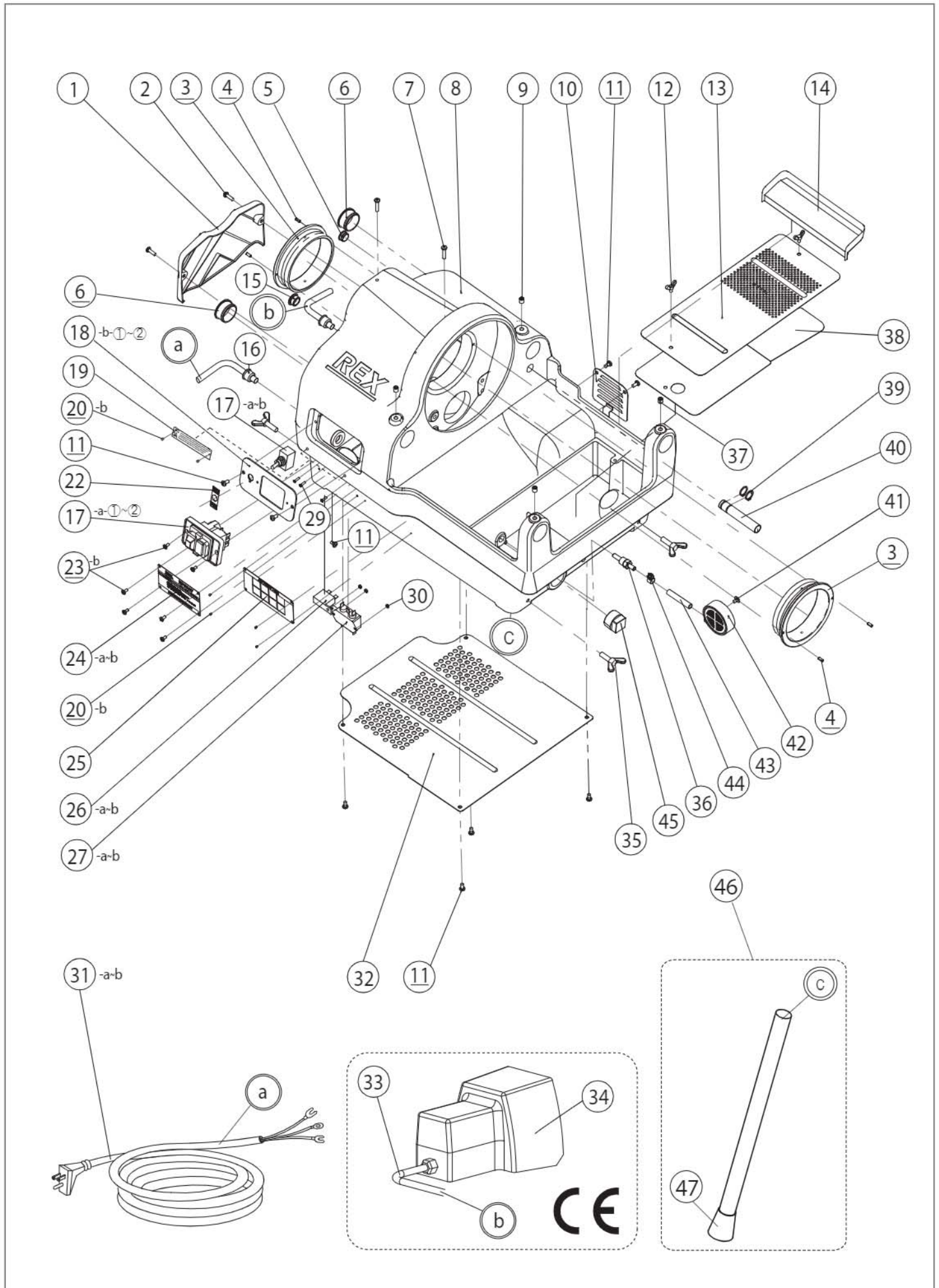
1. BASE (non-CE)
BASE (CE)
2. MAIN SHAFT, MOTOR (*Include CE)
3. MOTOR ASSEMBLY
4. CARRIAGE
5. CUTTER, REAMER

REX

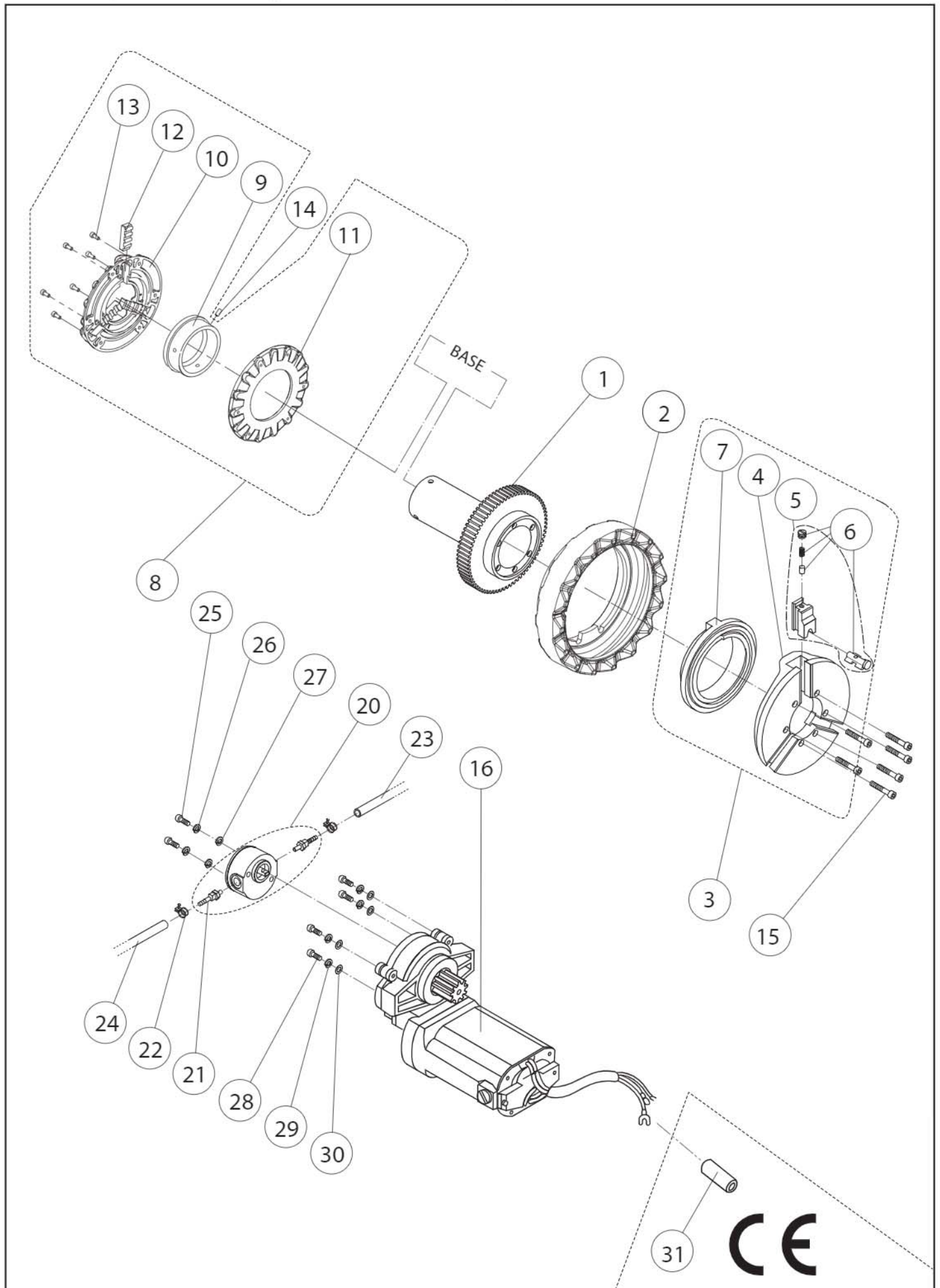
NP80A(non-CE) - 1. BASE



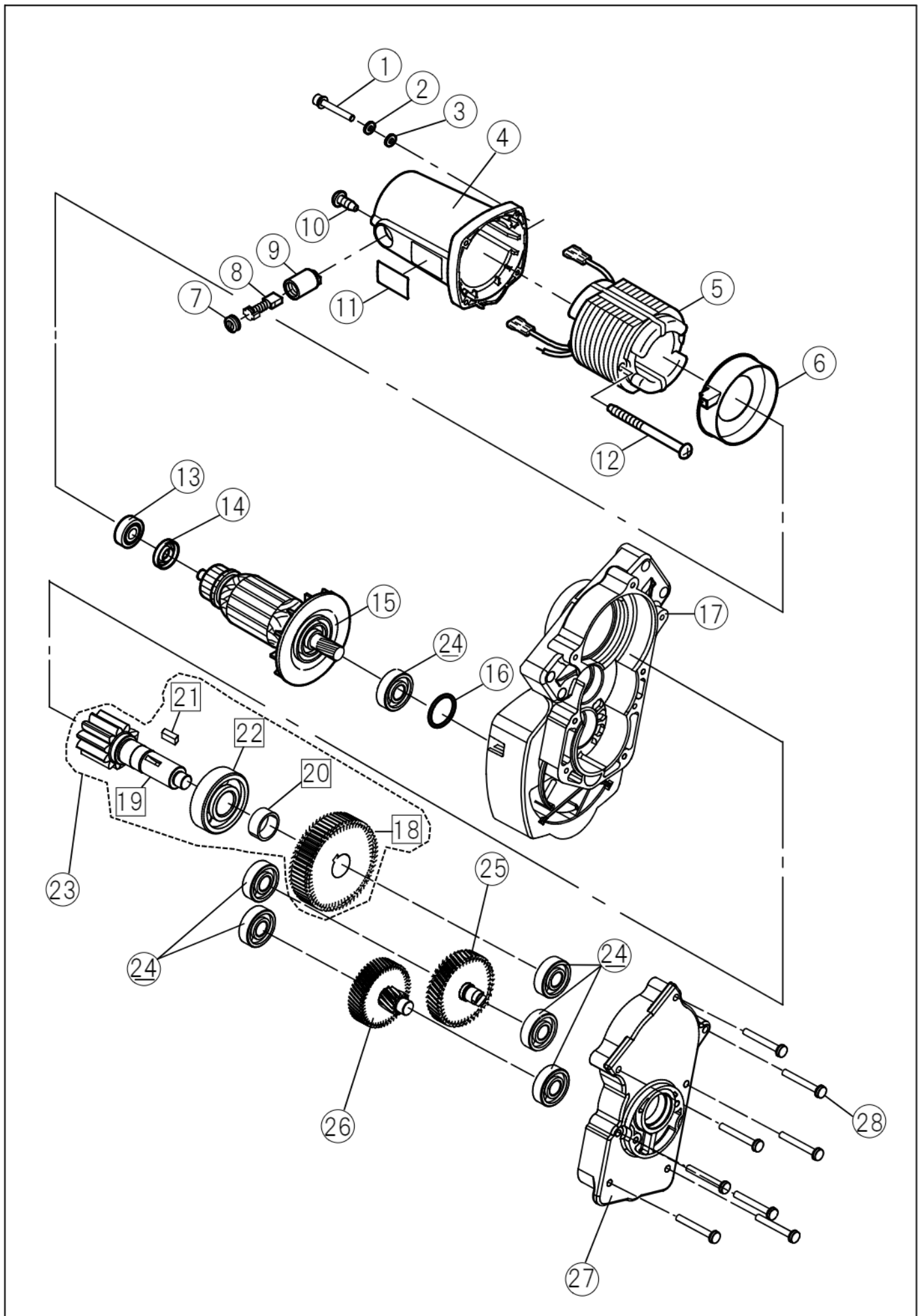
NP80A (CE) - 1. BASE



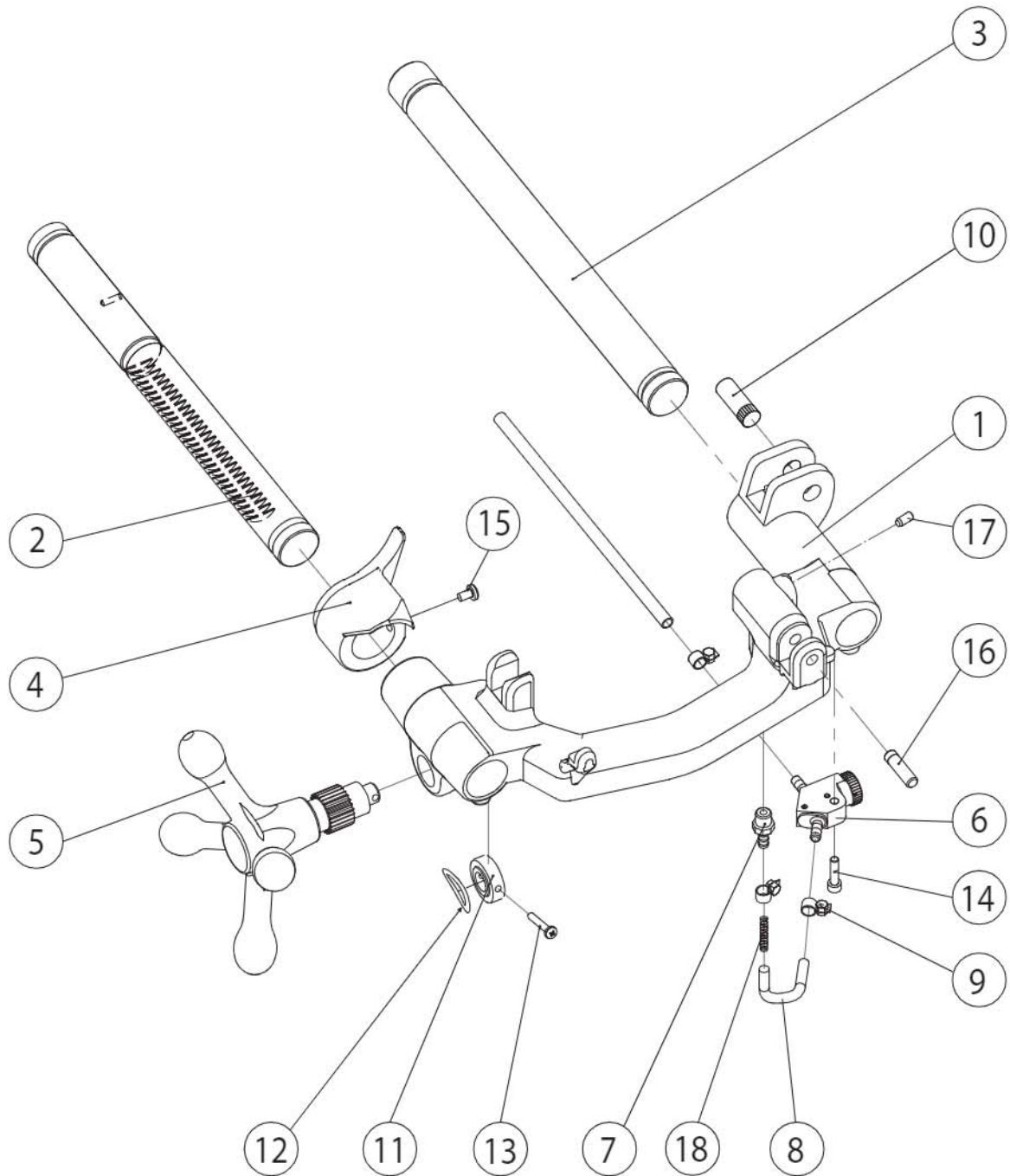
NP80A (*Include CE) - 2. MAIN SHAFT, MOTOR



NP80A - 3. MOTOR ASSEMBLY



NP80A - 4. CARRIAGE





REX INDUSTRIES CO., LTD.

Overseas Sales Section & Factory:
1-9-3, Hishiyahigashi, Higashi Osaka 578-0948, Japan.
Tel.: 81-72-961-9820 Fax.: 81-72-961-9878

URL <http://www.rexind.co.jp>