

PARTS LIST

HT238DL

CONTENTS

1. MAIN BODY	1 ~ 4
2. ENGINE	5 ~ 8
3. CARBURETOR, RECOIL STARTER	9 ~ 10
4. ACCESSORIES	11 ~ 12

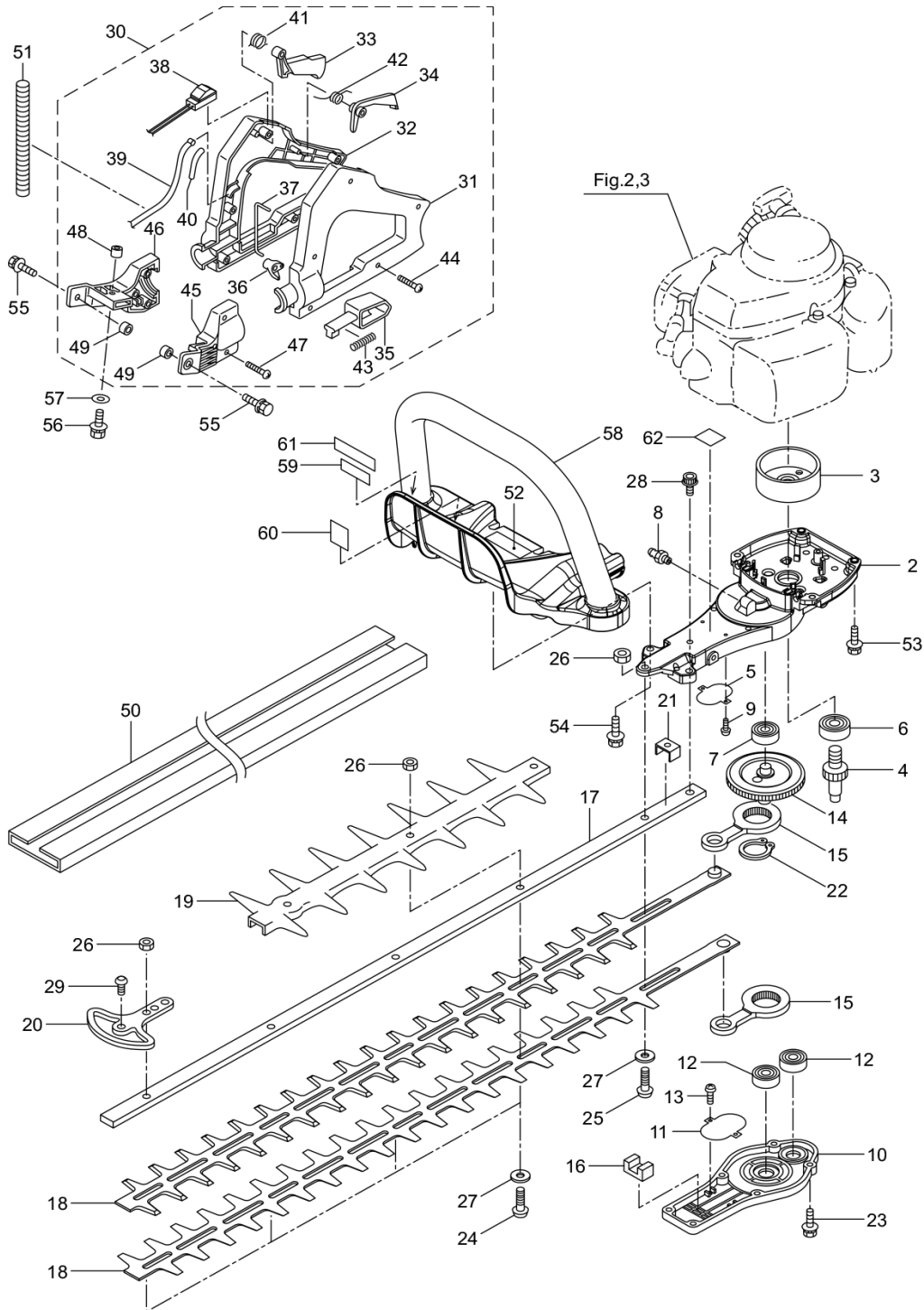
2018. 12.



MARUYAMA

P/N 524394-3

1. HT238DL
MAIN BODY

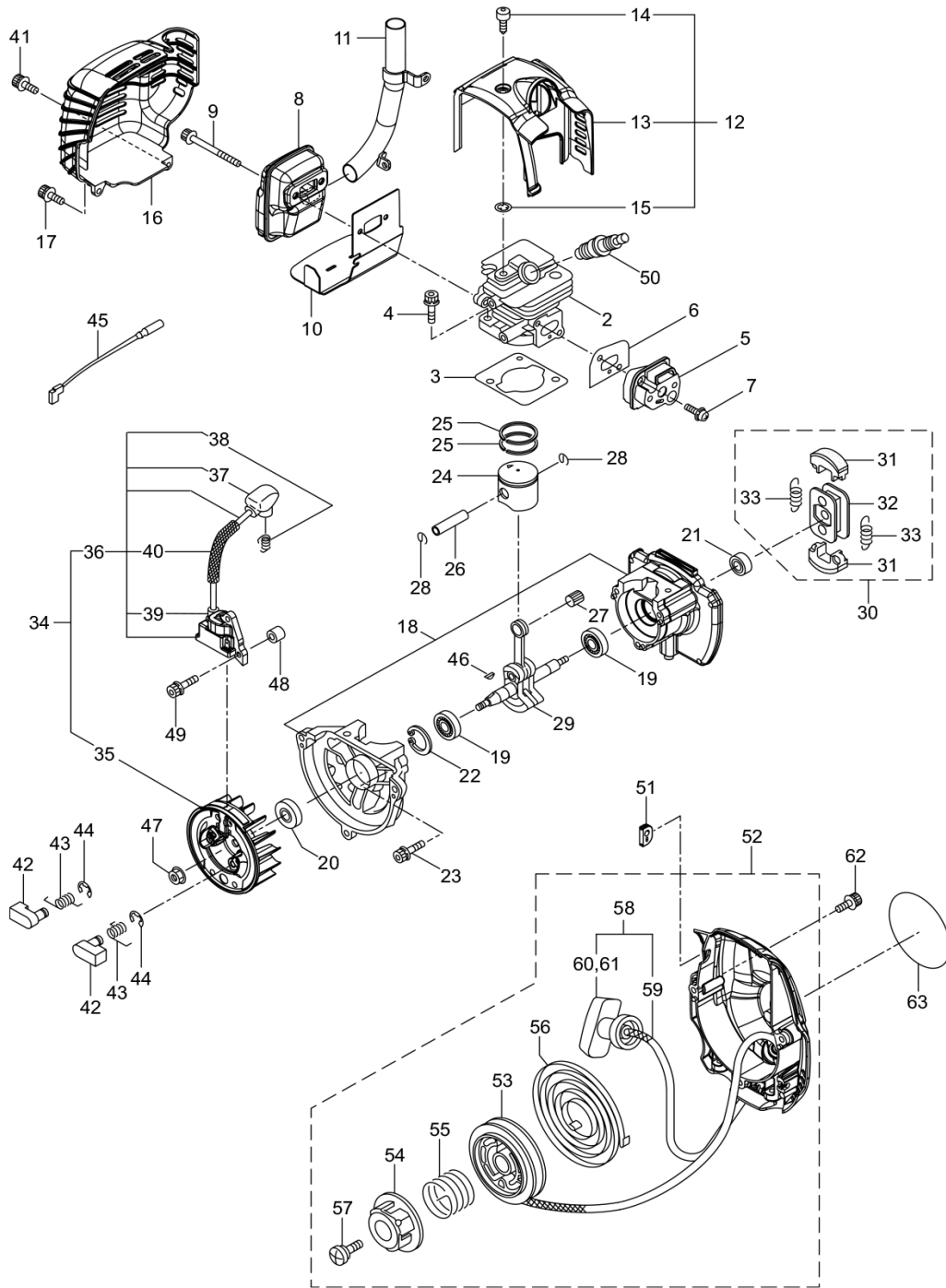


- 1 -

Status	Position	Parts Number	Parts Name	Unit Quantity	Set Unit Quantity	Specification	Remarks	Maker code
--------	----------	--------------	------------	---------------	-------------------	---------------	---------	------------

Status	Position	Parts Number	Parts Name	Unit Quantity	Set Unit Quantity	Specification	Remarks	Maker code
	1	362428	HT238DL(EU01)	1				
	2	278704	UPPER CASE	1		TE5-A036000		
	3	270021	CLUTCH DRUM	1		136-145		
	4	271473	PINION GEAR	1		TE1-A050000		
	5	271474	PLATE	1		TE1-A045000		
	6	580767	BEARING 6001 2RS	1		K354-060010	#6001 2RS	K354-060010
	7	270423	BEARING 608ZZ	1		K353-006080		
	8	991937	GREASE NIPPLE	1		A-MT6X1カ ^ツ ク	M6	
	9	991924	SCREW M3X5	2	10	K010-030050 M3	M3x5	900-040
	10	271475	LOWER CASE	1		TE5-A006000		
	11	271474	PLATE	1		TE1-A045000		
	12	270423	BEARING 608ZZ	2		K353-006080		
	13	991924	SCREW M3X5	2	10	K010-030050 M3	M3x5	900-040
	14	271465	CRANK COMPLETE	1		TE1-A043000		
	15	271466	ROD	2		TE1-A044000		
	16	270567	FELT	1		A286-112004		
	17	271470	GUIDE PLATE	1		TE1-A056000		
	18	278706	BLADE	2		TE4-A330700		
	19	274877	BLADE GUARD W	1		TE1-A131000		
	20	278720	CHIP GUARD	1		TE1-A177000		
	21	270757	PLATE	1		A325-103004		
	22	580777	SNAP RING	1	5	K283-026000	#26	K283-026000
	23	271910	SCREW	6		K081-05016T		
	24	991914	SCREW	4		A040-002009 L19		008-247
	25	271229	SCREW	1		G040-005000		
	26	991941	U-NUT	5	5	M6 カ ^ツ ク 1 ^ツ ツ	M6	
	27	991913	WASHER	5	10	008-250		008-250
	28	272282	SCREW	1		K073-050126		
	29	278721	SCREW	1		K082-05006T		
	30	271396	REAR HANDLE ASSY	1			Incl.31-49	
	31	271278	REAR HANDLE L	1		TE2-1015010		
	32	271279	REAR HANDLE R	1		TE2-1015020		
	33	271280	THROTTLE LEVER	1		TE2-1010030		
	34	271281	STOP LEVER	1		TE2-1010040		
	35	271282	LOCK LEVER	1		TE2-1007050		
	36	271283	LEVER STOPPER	1		TE2-1013020		
	37	271284	ROD	1		TE2-1007060		
	38	271285	SWITCH	1		G014-222004		
	39	271398	CABLE COMP.	1				
	40	271287	SPACER	1		TE2-1013010		
	41	271288	SPRING	1		G003-000030		
	42	271289	SPRING	1		G003-000040		
	43	270400	SPRING	1		A002-050004		
	44	271276	SCREW	5		K110-401602		
	45	271274	HANDLE STAY L	1				
	46	271275	HANDLE STAY R	1				
	47	271276	SCREW	3		K110-401602		
	48	270424	SPACER	1		K232-061000		
	49	271277	SPACER	2				
	50	270071	BLADE COVER(DL)	1		A028-002029		
	51	271221	TUBE	1		A013-070110		
	52	270566	LABEL	1		A052-246004		
	53	271908	SCREW	5		K078-05016T		
	54	277400	SCREW	2		K081-06040T		
	55	271909	SCREW	2		K078-050204		
	56	271911	SCREW	1		K081-060204		
	57	270843	WASHER	1		25X6XT1.6	25x6xt1.6	
	58	278325	FRONT HANDLE ASSY	1				
	59	266957	LABEL	1		CEマ ^ク		
	60	287394	LABEL	1		109dB	109dB	
	61	266959	LABEL	1		CEマ ^ク	Caution	
	62	266960	LABEL	1		ホツトマ ^ク		

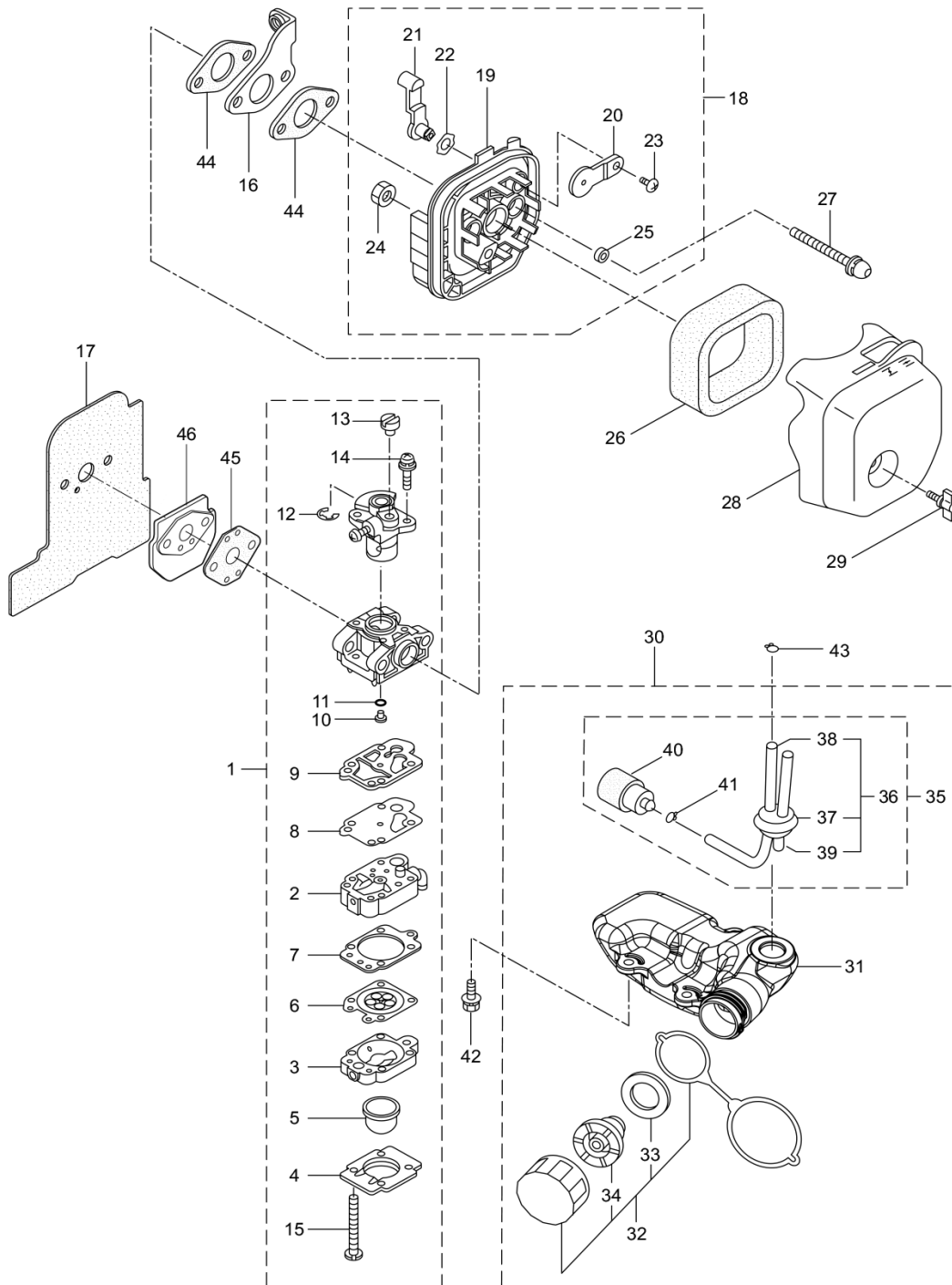
2. HT238DL ENGINE



Status	Position	Parts Number	Parts Name	Unit Quantity	Set Unit Quantity	Specification	Remarks	Maker code
	1	875091	HE232/03	1			HE232/03	
	2	278641	CYLINDER	1				
	3	289643	GASKET	1		T0.5		
	4	267290	CAP SCREW	2	5	M5X20WSW+㊦	M5x20	
	5	272744	INSULATOR	1			New gasket required	
	6	267049	GASKET	1	5			
	7	265924	CAP SCREW	2	5	M5X25WSW+㊦	M5x25	
	8	278263	MUFFLER	1				
	9	266402	CAP SCREW	2	5	M5X55ﾌﾗﾝｼﾞ*	M5x55	
	10	278273	GASKET	1				
	11	278265	TAIL PIPE	1				
	12	278288	CYLINDER COVER	1		ｱｶ	Incl.13-15	
	13	277793	CYLINDER COVER	1		ｱｶ		
	14	286399	BOLT	1		M5 ﾓﾄﾞﾘﾒｯｼﾞ	M5	
	15	286270	WASHER	1		M5	M5	
	16	278272	MUFFLER COVER	1				
	17	261607	CAP SCREW	1	5	M5X16WSW	M5x16	
	18	278208	CRANK CASE	1				
	19	261181	BEARING 6000C3	2		6000C3	#6000C3	
	20	262712	OIL SEAL	1		TC10267 ｸﾞﾗｽｲﾝｼﾞ	TC10267	
	21	262713	OIL SEAL	1		TC10207 ｸﾞﾗｽｲﾝｼﾞ	TC10207	
	22	054676	RING SNAP	1	5	ﾌﾞﾈｯｼﾞ26	#26	
	23	261246	CAP SCREW	3	5	M5X25	M5x25	
	24	272204	PISTON	1				
	25	264891	PISTON RING	2			(2)required	
	26	261036	PISTON PIN	1		5.7X8X23.5L		
	27	288520	NEEDLE BEARING	1		8E-KV8X11X11.8		
	28	261576	CLIP PISTON	2				
	29	283155	CRANKSHAFT COMPLETE	1				
	30	246054	CLUTCH ASSY	1		ﾊｯｼﾞ*54ｺﾞﾌﾞ ﾚｰﾄﾞ ﾜｯｼﾞ	Incl.31-33	
×	31	246068		2			(2)required	
×	32	246069		1				
×	33	246070	SPRING	2			(2)required	
	34	278161	MAGNETO	1			Incl.35-40	
	35	278176	ROTOR	1		ﾈｯｼﾞ* ﾜｯｼﾞ		
	36	278293	IGNITION COIL	1		CDI/ﾃﾞｼﾞﾀﾙ	Incl.37-40	
	37	282292	PLUG CAP	1				
	38	261075	CONNECTOR	1		10805-40061		
	39	261072	CAP	1		ｲｸﾀ*10855-40101		
	40	280080	TUBE	1		10850-40023 55L		
	41	267191	CAP SCREW	1	5	M5X16WSW+㊦	M5x16	
	42	280936	RACHET	2				
	43	280553	SPRING	2				
	44	020299	E-RING #4	2	10	ｺﾞﾐ*4	#4	
	45	267492	LEAD	1		130L	130L	
	46	261076	WOODRUFF KEY 3X10	1	5	Aｼﾞ1 3X10	3x10	
	47	261077	NUT	1	5	M6	M6	
	48	280381	SPACER	2	5			
	49	279850	SCREW	2		M4X25WSW(ｺﾐ ﾜ)	M4x25	
	50	288264	SPARK PLUG	1		NGK BPMR8Y	BPMR8Y	
	51	278294	GROMMET	1				
	52	278177	STARTER ASSY	1		ﾀﾞﾝﾊﾟｰ-ｱｶ	Incl.53-61	
	53	286363	REEL	1		A54108140000		
	54	286364	CAM PLATE	1		A54308140400		
	55	283290	DAMPER SPRING	1				
	56	280931	SPIRAL SPRING	1				
	57	267213	SCREW	1				
	58	283291	ROPE ASSY	1			Incl.59-61	

Status	Position	Parts Number	Parts Name	Unit Quantity	Set Unit Quantity	Specification	Remarks	Maker code
	59	283292	STARTER ROPE	1				
	60	261725	STARTER GRIP	1				
	61	283293	ROPE STOPPER	1				
	62	267290	CAP SCREW	3	5	M5X20WSW+ \AA	M5x20	
	63	278336	RECOIL LABEL	1				

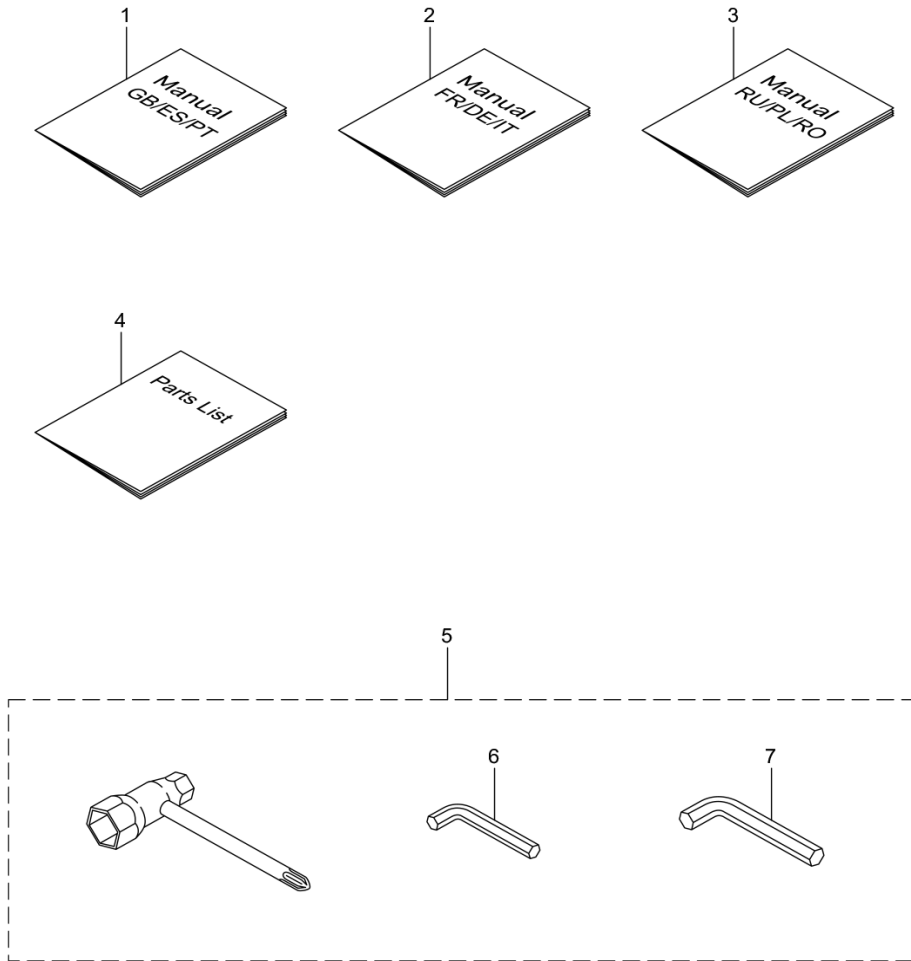
3. HT238DL
CARBURETOR, FUEL TANK



Status	Position	Parts Number	Parts Name	Unit Quantity	Set Unit Quantity	Specification	Remarks	Maker code
--------	----------	--------------	------------	---------------	-------------------	---------------	---------	------------

Status	Position	Parts Number	Parts Name	Unit Quantity	Set Unit Quantity	Specification	Remarks	Maker code
	1	278297	CARBURETOR ASSY	1		WYL-364	Incl.2-15	
	2	268499	CARBURETOR BODY	1		WB5-2771		
	3	262991	PURGE BODY	1		WB5-2557		
	4	262992	COVER	1		WB21-3147		
	5	261874	PRIMER	1		WB188-12		
	6	283905	DIAPHRAGM METERRING	1		WB95-614		
	7	262993	GASKET	1		WB92-359		
	8	262994	DIAPHRAGM	1		WB95-99		
	9	282576	GASKET	1		WB92-415		
	10	289396	JET	1		WB112-3070-330		
	11	261871	O-RING	1		WB16-104		
	12	261876	RING	1		WB16-71		
	13	261658	SWIVEL	1		WB52-34		
	14	264682	SCREW	2		WB96-364		
	15	262996	SCREW	4	5	WB96-425		
	16	283773	STAY	1				
	17	278750	GASKET	1				
	18	289048	CASE	1			Incl.19-25	
	19	269050	CASE BODY	1		加 WYL		
	20	289019	MACHINED DISC	1		1		
	21	284803	LEVER	1				
	22	284816	WASHER	1	5	6.4X11X0.15	6.4x11x0.15	
	23	269032	SCREW	1	5	タリ°ネジ 3.5X8		
	24	126993	NUT	1	5	M5X0.8 2ｼ1	M5	
	25	269051	SLEEVE	2		5.5X7.1X3		
	26	269030	ELEMENT	1		HR-50ｼｸﾄﾞ		
	27	280102	SCREW	2		M5X65WSWホ	M5x65	
	28	283772	CLEANER COVER	1				
	29	281438	KNOB	1				
	30	278209	TANK ASSY	1			Incl.31-41	
	31	277791	FUEL TANK	1				
	32	283438	TANK CAP ASSY	1			Incl.33,34	
	33	283727	PACKING	1	5	ﾀﾝｸｷｯﾌﾟﾞヨｸ		
	34	283764	BREATHER ASSY	1		HEヨｸ		
	35	265752	FUEL PIPE	1			Incl.36-41	
	36	264031	FUEL PIPE ASSY	1			Incl.37-39	
	37	261115	GROMMET	1				
	38	261690	FUEL PIPE	1		3X5X160L(加)	160L	
	39	263038	RETURN PIPE	1		3X6X85(ｷ)	3x6x85L	
	40	264653	FILTER ASSY	1		125-552		
	41	261117	CLIP	1				
	42	269690	CAP SCREW	3	5	M5X18WSW-16	M5x18	
	43	261117	CLIP	1				
	44	283771	GASKET	2				
	45	261864	GASKET	1	5			
	46	269981	DIVIDER	1				

4. HT238DL
ACCESSORIES



Status	Position	Parts Number	Parts Name	Unit Quantity	Set Unit Quantity	Specification	Remarks	Maker code
--------	----------	--------------	------------	---------------	-------------------	---------------	---------	------------

Status	Position	Parts Number	Parts Name	Unit Quantity	Set Unit Quantity	Specification	Remarks	Maker code
	1	278278	INSTRUCTION MANUAL	1		GB/ES/PT	GB/ES/PT	
	2	278279	INSTRUCTION MANUAL	1		FR/DE/IT	FR/DE/IT	
	3	278280	INSTRUCTION MANUAL	1		RU/PL/RO	RU/PL/RO	
	4	524394	PARTS LIST	1		HT238DL(EU01)	HT238DL	
	5	264606	TOOL SET	1			Incl.6,7	
	6	219431	SPANNER	1		ニメノリ 3	3mm	
	7	219432	WRENCH	1		ニメノリ 4	4mm	