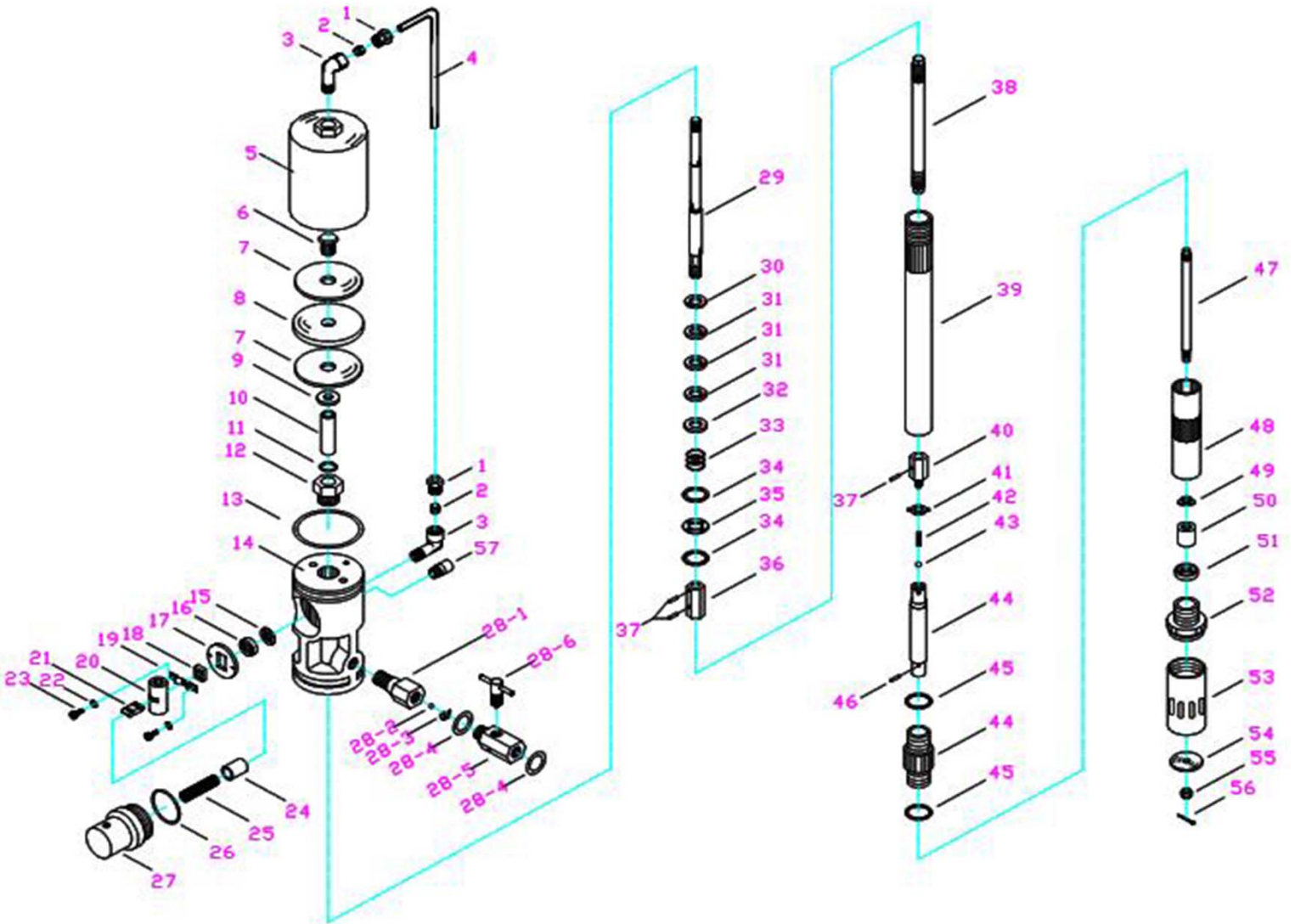




อะไหล่ถังอัดจารบี รุ่น TKR-35 และ TKR-45





อะไหล่ถึงอัตรามี รุ่น TKR-35 และ TKR-45



KT-CODE	NO.	ITEM	DESCRIPTION	Q'TY
Y012-0196	1	A1-1	TUBE GLAND	2
Y012-0195	2	A1-2	TUBE SLEEVE	2
Y012-0250	3	A1-3	ELBOW	1
Y012-0197	4	A1-4	AIR PASSAGE TUBE	1
Y012-0180	5	A1-5	AIR CYLINDER BONNET	1
Y012-0199	6	A1-6	CAP NUT	1
Y012-0190	7	A1-7	PISTON PLATE	2
Y012-0200	8	A1-8	PISTON PACKING	1
Y012-0210	9	A1-9	WASHER	1
Y012-0220	10	A1-10	SPINDLE BUSH	1
	11	A1-11	O-RING	1
Y012-0235	12	A1-12	GLAND HOUSING	1
	13	A1-13	O-RING	1
Y012-0240	14	A1-14	AIR MOTOR BODY	1
Y012-0260	15	A1-15	VALVE SEAT GASKET	1
Y012-0270	16	A1-16	VALVE SEAT	1
Y012-0280	17	A1-17	VALVE GUIDE PLATE	1
Y012-0290	18	A1-18	VALVE SLIDE	1
Y012-0300	19	A1-19	VALVE SUPPORTER	1
Y012-0310	20	A1-20	TRIP SHOE	1
Y012-0320	21	A1-21	TRIP SHOE GUIDE	1
	22	A1-22	SPRING WASHER	2
	23	A1-23	SCREW	2
Y012-0330	24	A1-24	SPRING HOLDER	1
Y012-0340	25	A1-25	SPRING	1
	26	A1-26	O-RING	1
Y012-0350	27	A1-27	SPRING COVER	1
	28-1	A1-28-1	UNION ADAPTER	1
Y012-0560	28-2	A1-28-2	BALL 1/4"	1
Y012-0570	28-3	A1-28-3	STOP RING	2
Y012-0580	28-4	A1-28-4	WASHER	1

KT-CODE	NO.	ITEM	DESCRIPTION	Q'TY
Y012-0590	28-5	A1-28-5	NEEDLE VALVE BODY	1
Y012-0600	28-6	A1-28-6	NEEDLE VALVE	1
Y012-0230	29	A1-29	PISTON ROD	1
Y012-0360	30	A1-30	WASHER	1
Y012-0370	31	A1-31	GLAND PACKING	3
Y012-0380	32	A1-32	PACKING GLAND	1
Y012-0390	33	A1-33	SPRING	1
Y012-0400	34	A1-34	WASHER	2
Y012-0410	35	A1-35	WASHER	1
Y012-0415	36	A1-36	SUCTION TUBE CONNECTOR	1
Y012-0420	37	A1-37	PIN	3
Y012-0430	38	A1-38	SUCTION ROD	1
Y012-0440	39	A1-39	SUCTION TUBE	1
Y012-0450	40	A1-40	UNION	1
Y012-0460	41	A1-41	WASHER	1
Y012-0465	42	A1-42	SPRING	1
	43	A1-43	BALL 7/32"	1
Y012-0470	44	A1-44	PISTON CYLINDER ASS'Y	1
Y012-0475	45	A1-45	WASHER	2
	46	A1-46	SPRING PIN	1
Y012-0480	47	A1-47	PLUNGER ROD	1
	48	A1-48	FOOT TUBE	1
Y012-0490	49	A1-49	VALVE RING	1
Y012-0500	50	A1-50	FOOT VALVE	1
Y012-0510	51	A1-51	VALVE SEAT	1
Y012-0520	52	A1-52	INTAKE FILTER ASS'Y	1
Y012-0530	53	A1-53	FOOT TUBE	1
Y012-0540	54	A1-54	SHOVEL	1
Y012-0550	55	A1-55	NUT	1
Y012-0555	56	A1-56	PIN	1
Y012-0610	57	A1-57	SILENCER	1