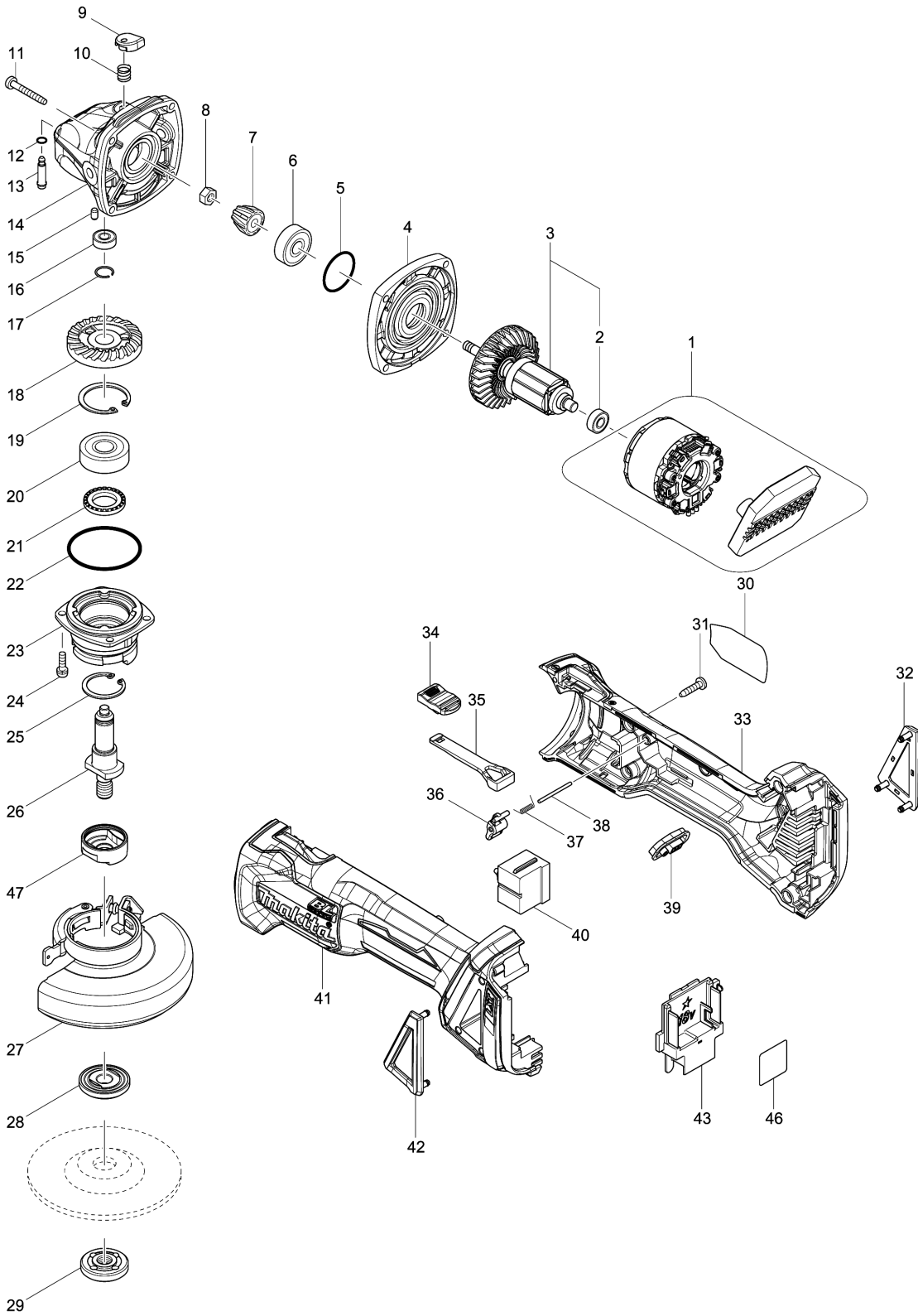


Model No.DGA406 100MM CORDLESS ANGLE GRINDER



Model No.DGA406 100MM CORDLESS ANGLE GRINDER

| รายการ | รหัสอะไหล่ | รายละเอียด | การ แลกเปลี่ยน | จำนวน | New/Old | ขาย | ซื้อ | ข้อความ |
|--------|------------|-----------------------------------|-------------------|-------|---------|-----|------|---------|
| 001 | 629201-7 | STATOR COMPLETE | | 1 | | | | |
| 002 | 211021-9 | BALL BEARING 607LLB | | 1 | | | | |
| 003 | 510300-5 | ROTOR ASS'Y | | 1 | | | | |
| D10 | | INC. 2 | | | | | | |
| 004 | 319214-3 | GEAR HOUSING COVER | | 1 | | | | |
| 005 | 213445-5 | O-RING 26 | | 1 | | | | |
| 006 | 210042-8 | BALL BEARING 629LLB | | 1 | | | | |
| 007 | 227541-3 | SPIRAL BEVEL GEAR 10 | | 1 | * | | | |
| 007-1 | 226861-2 | SPIRAL BEVEL GEAR 10 | S | 1 | | | | |
| 008 | 252186-8 | HEX. NUT M6 | | 1 | | | | |
| 009 | 417771-6 | PIN CAP | | 1 | | | | |
| 010A | 233072-2 | COMPRESSION SPRING 8 | | 1 | * | | | |
| 010B | 233072-2 | COMPRESSION SPRING 8 | | 1 | * | | | |
| 010C | 233072-2 | COMPRESSION SPRING 8 | | 1 | | | | |
| 010D | 233072-2 | COMPRESSION SPRING 8 | | 1 | | | | |
| 010-1A | 233376-2 | COMPRESSION SPRING 8 | O | 1 | | | | |
| 010-1B | 233376-2 | COMPRESSION SPRING 8 | O | 1 | | | | |
| 011 | 266361-0 | TAPPING SCREW 4X30 | | 4 | | | | |
| 012 | 213960-9 | O RING 5 | | 1 | | | | |
| 013 | 256546-6 | SHOULDER PIN 4 | | 1 | | | | |
| 014 | 319213-5 | GEAR HOUSING | | 1 | | | | |
| 015 | 263002-9 | RUBBER PIN 4 | | 1 | | | | |
| 016 | 210006-2 | BALL BEARING 696ZZ | | 1 | | | | |
| 017 | 233950-6 | RING SPRING 11 | | 1 | | | | |
| 018 | 227641-9 | SPIRAL BEVEL GEAR 37 | | 1 | * | | | |
| 018-1 | 226862-0 | SPIRAL BEVEL GEAR 37 | S | 1 | | | | |
| 019 | 962151-6 | RETAINING RING R-32 | | 1 | | | | |
| 020 | 211129-9 | BALL BEARING 6201DDW | | 1 | | | | |
| 021 | 262153-5 | FELT RING 16 | | 1 | | | | |
| 022 | 213622-9 | O RING 45 | | 1 | | | | |
| 023 | 319399-5 | BEARING BOX | | 1 | | | | |
| 024 | 911121-2 | PAN HEAD SCREW M4X14 | | 4 | | | | |
| 025 | 962105-3 | RETAINING RING R-26 | | 1 | | | | |
| 026 | 326669-5 | SPINDLE | | 1 | | | | |
| 027 | 122893-6 | TOOLLESS WHEEL COVER 100K ASSY | | 1 | | | | |
| C10 | 213009-5 | O RING 4 | | 1 | | | | |
| C20 | 265180-1 | PAN HEAD SCREW M5X16 | | 1 | | | | |
| 028 | 224483-2 | INNER FLANGE 30 | | 1 | | | | |
| 029 | 224559-5 | LOCK NUT 10-30 | | 1 | | | | |
| 030 | 851Y53-0 | DGA406 NAME PLATE | | 1 | | | | |

Model No.DGA406 100MM CORDLESS ANGLE GRINDER

| รายการ | รหัสอะไหล่ | รายละเอียด | การ แลกเปลี่ยน | จำนวน | New/Old | ขาย | ซื้อ | ข้อความ |
|--------|------------|--------------------------|-------------------|-------|---------|-----|------|---------|
| 031 | 266326-2 | TAPPING SCREW 4X18 | | 5 | | | | |
| 032 | 455450-8 | DUST COVER R | | 1 | | | | |
| 033 | 187998-9 | MOTOR HOUSING SET | | 1 | * | | | |
| C10 | 263005-3 | RUBBER PIN 6 | | 2 | * | | | |
| D10 | | INC. 41 | | | * | | | |
| 033-1 | 183J39-9 | MOTOR HOUSING SET | < | 1 | | | | |
| C10 | 263005-3 | RUBBER PIN 6 | | 2 | | | | |
| D10 | | INC. 41 | | | | | | |
| 034 | 455447-7 | SWITCH KNOB | | 1 | | | | |
| 035 | 455446-9 | SWITCH LEVER | | 1 | | | | |
| 036 | 455448-5 | LEVER | | 1 | | | | |
| 037 | 231679-8 | TORSION SPRING 2 | | 1 | | | | |
| 038 | 268330-7 | PIN 2 | | 1 | | | | |
| 039 | 142901-7 | INDICATOR PANEL COMPLETE | | 1 | | | | |
| 040 | 650579-7 | SWITCH 1246.3223 | | 1 | | | | |
| 041 | 187998-9 | MOTOR HOUSING SET | | 1 | * | | | |
| C10 | 263005-3 | RUBBER PIN 6 | | 2 | * | | | |
| D10 | | INC. 33 | | | * | | | |
| 041-1 | 183J39-9 | MOTOR HOUSING SET | < | 1 | | | | |
| C10 | 263005-3 | RUBBER PIN 6 | | 2 | | | | |
| D10 | | INC. 33 | | | | | | |
| 042 | 455449-3 | DUST COVER L | | 1 | | | | |
| 043 | 643899-6 | TERMINAL | | 1 | | | | |
| 046 | 851Y58-0 | DGA406 SERIAL NO. LABEL | | 1 | | | | |
| 047 | 310516-0 | LEAD FLANGE B | | 1 | | | | |
| A01 | A-80852 | GRINDING WHEEL 100X6X16 | | 1 | | | | |
| A02 | 158237-4 | GRIP 36 COMPLETE | | 1 | | | | |
| A03 | 782420-7 | LOCK NUT WRENCH 20 | | 1 | | | | |
| A04B | ***DC18RC | DC18RC FAST CHARGER | | 1 | | | | |
| D10 | | COMPO-PARTS | | | | | | |
| A04C | ***DC18RC | DC18RC FAST CHARGER | | 1 | | | | |
| D10 | | COMPO-PARTS | | | | | | |
| A04D | ***DC18RC | DC18RC FAST CHARGER | | 1 | | | | |
| D10 | | COMPO-PARTS | | | | | | |
| A05B | 196015-4 | BATTERY BL1830 SET | | 2 | * | | | |
| A05C | 197265-4 | BATTERY BL1840B SET | | 2 | * | | | |
| A05D | 197280-8 | BATTERY BL1850B SET | | 2 | * | | | |
| A05-1B | 197600-6 | BATTERY BL1830B SET | < | 2 | * | | | |
| A05-1C | 197265-4 | BATTERY BL1840B SET | O | 2 | | | | |
| A05-1D | 199282-0 | BATTERY BL1850B SET | < | 2 | * | | | |

Model No.DGA406 100MM CORDLESS ANGLE GRINDER

| รายการ | รหัสอะไหล่ | รายละเอียด | การ แลก เปลี่ยน | จำนวน | New/Old | ขาย | ซื้อ | ข้อความ |
|--------|------------|---------------------|-----------------------|-------|---------|-----|------|---------|
| A05-2B | 199283-8 | BATTERY BL1830B SET | < | 2 | * | | | |
| A05-2D | 199282-0 | BATTERY BL1850B SET | < | 2 | | | | |
| A05-3B | 199283-8 | BATTERY BL1830B SET | < | 2 | | | | |
| A06B | 450128-8 | BATTERY COVER | | 1 | | | | |
| A06C | 450128-8 | BATTERY COVER | | 1 | | | | |
| A06D | 450128-8 | BATTERY COVER | | 1 | | | | |
| A07B | 821636-0 | PLASTIC CASE | | 1 | * | | | |
| C10 | 162315-4 | LATCH | | 2 | * | | | |
| A07C | 821636-0 | PLASTIC CASE | | 1 | * | | | |
| C10 | 162315-4 | LATCH | | 2 | * | | | |
| A07D | 821636-0 | PLASTIC CASE | | 1 | * | | | |
| C10 | 162315-4 | LATCH | | 2 | * | | | |
| A07-1B | 821734-0 | PLASTIC CASE | O | 1 | * | | | |
| C10 | 162315-4 | LATCH | | 2 | * | | | |
| A07-1C | 821734-0 | PLASTIC CASE | O | 1 | * | | | |
| C10 | 162315-4 | LATCH | | 2 | * | | | |
| A07-1D | 821734-0 | PLASTIC CASE | O | 1 | * | | | |
| C10 | 162315-4 | LATCH | | 2 | * | | | |
| A07-2B | 821817-6 | PLASTIC CASE | O | 1 | | | | |
| C10 | 162315-4 | LATCH | | 2 | | | | |
| A07-2C | 821817-6 | PLASTIC CASE | O | 1 | | | | |
| C10 | 162315-4 | LATCH | | 2 | | | | |
| A07-2D | 821817-6 | PLASTIC CASE | O | 1 | | | | |
| C10 | 162315-4 | LATCH | | 2 | | | | |

Please order the parts with part number.

Print Date 24/8/2021