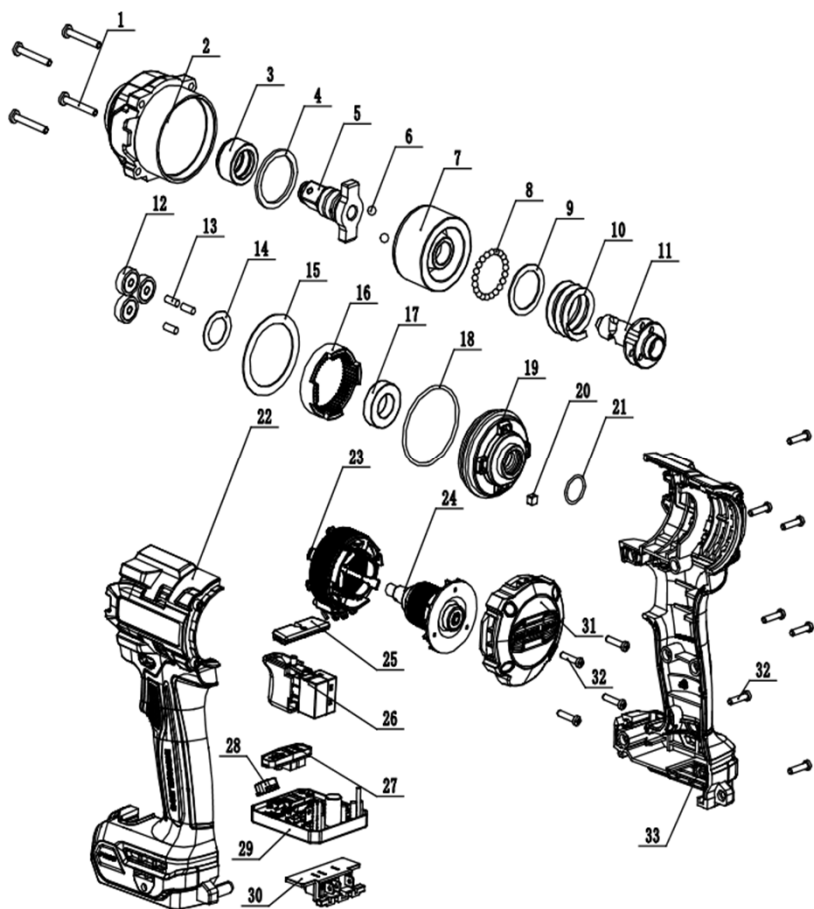


CIWLI2040



Item No.	Part No.	Part Description	Remark
CIWLI2040-EW			
CIWLI2040-SP-1	AAA52709402	Screws	1pcs/1set
CIWLI2040-SP-2	AAAC0000087	Cephalic shell	1pcs/1set
CIWLI2040-SP-3	AAAC0001050	Output shaft bushing	1pcs/1set
CIWLI2040-SP-4	AAAC0000089	Output shaft friction gasket	1pcs/1set
CIWLI2040-SP-5/6	AAAC0000090	Output shaft assembly	1pcs/1set
CIWLI2040-SP-7/8/9/10/11	AAAC0000091	Impact block	1pcs/1set
CIWLI2040-SP-12	AAAC0000092	Planetary gear	1pcs/1set
CIWLI2040-SP-13	AAA53301701	Cylinder pin	1pcs/1set
CIWLI2040-SP-14	AAAC0000093	Spacer	1pcs/1set
CIWLI2040-SP-15	AAAC0000094	Spacer	1pcs/1set
CIWLI2040-SP-16	AAAC0000095	Planetary ring	1pcs/1set
CIWLI2040-SP-17	AAA50008801	Bearing	1pcs/1set
CIWLI2040-SP-18	AAAC0000096	Ring	1pcs/1set
CIWLI2040-SP-19	AAAC0000097	Gear case	1pcs/1set
CIWLI2040-SP-20	AAA42403901	Gear box cooling hole pad	1pcs/1set
CIWLI2040-SP-21	AAAC0000098	Ring	1pcs/1set
CIWLI2040-SP-22/33	AAAC0000614	Left and right case	1pcs/1set
CIWLI2040-SP-23/26/29/30	AAAC0000108	Stator and electric control assembly	1pcs/1set
CIWLI2040-SP-23	AAAC0000101	Stator	1pcs/1set
CIWLI2040-SP-24	AAAC0000102	Rotor	1pcs/1set
CIWLI2040-SP-25	AAAC0000829	Push button	1pcs/1set
CIWLI2040-SP-26	AAAC0000110	Switch	1pcs/1set
CIWLI2040-SP-27	AAA40082101	Governor plate	1pcs/1set
CIWLI2040-SP-28	AAA40083201	Lampshade	1pcs/1set
CIWLI2040-SP-29/30	AAAC0000104	PCB	1pcs/1set
CIWLI2040-SP-31	AAAC0000109	Rear cover	1pcs/1set
CIWLI2040-SP-32	AAAC0000106	Screws	1pcs/1set