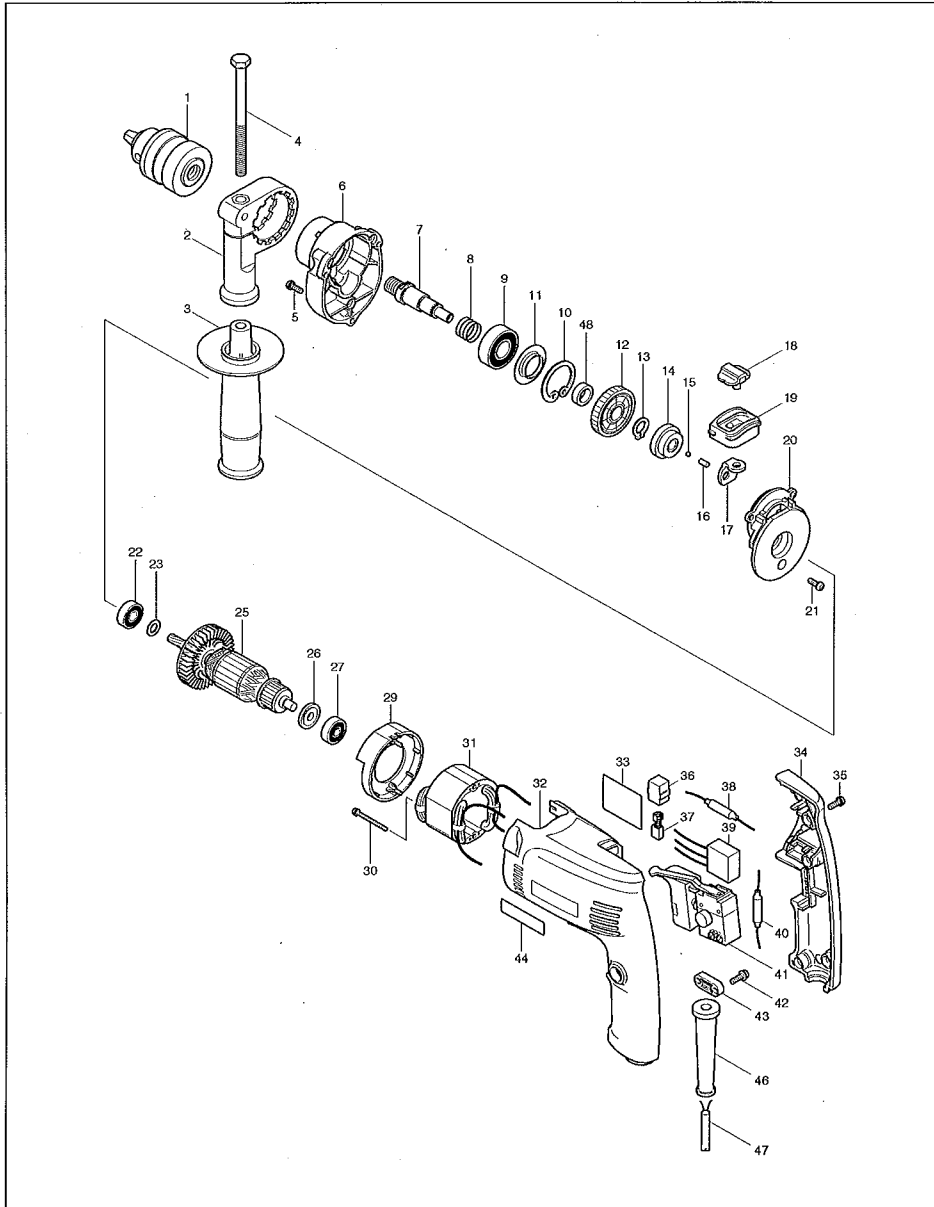


SERVICE DRAWING

MODEL NO. MT811



MODEL

MT811

ITEM	PARTS ID	DESCRIPTION	PRICE/Baht
001	763161-4	DRILL CHUCK S13	700
002	417822-5	GRIP BASE	130
003	152521-9	GRIP 36 COMPLETE	180
003	153503-4	GRIP 36 COMPLETE	170
004	265495-6	HEX. BOLT M8X110	110
005	265099-4	PAN HEAD SCREW M4X14	70
006	417818-6	GEAR HOUSING	200
007	324223-9	SPINDLE	350
008	233330-6	COMPRESSION SPRING 16	110
009	211241-5	BALL BEARING 6202DDW	180
010	962153-2	RETAINING RING R-35	80
011	257246-1	RING 19	100
012	226586-8	HELICAL GEAR 37	240
013	961052-5	RETAINING RING S-12	40
014	153299-7	CAM COMPLETE	250
015	216001-0	STEEL BALL 3.5	20
016	256251-5	PIN 4	60
017	345228-6	CHANGE PLATE	110
018	417819-4	CHANGE LEVER	60
019	417820-9	LEVER CASE	90
020	317553-5	INNER HOUSING	230
021	265098-6	PAN HEAD SCREW M4X12	100
022	210029-0	BALL BEARING 608ZZ	130
023	267240-5	FLAT WASHER 8	100
026	681662-9	INSULATION WASHER	80
027	210030-5	BALL BEARING 627ZZ	150
029	417821-7	BAFFLE PLATE	110
030	265097-8	PAN HEAD SCREW M3X40	110
032	183472-5	MOTOR HOUSING	540
034	417817-8	HANDLE COVER	170
035	265099-4	PAN HEAD SCREW M4X14	70
036	643562-1	BRUSH HOLDER 5X8	60
042	265099-4	PAN HEAD SCREW M4X14	70
043	687124-5	STRAIN RELIEF	70
044	819126-5	MAKTEC LOGO LABEL	70
046	682569-2	CORD GUARD 8-85	110
047	691284-7	POWER SUPPLY CORD 0.75-2-2.0	290
048	257173-2	RING 12	80
A01	763441-8	CHUCK KEY S13	180
A02	418163-2	KEY HOLDER 10	60