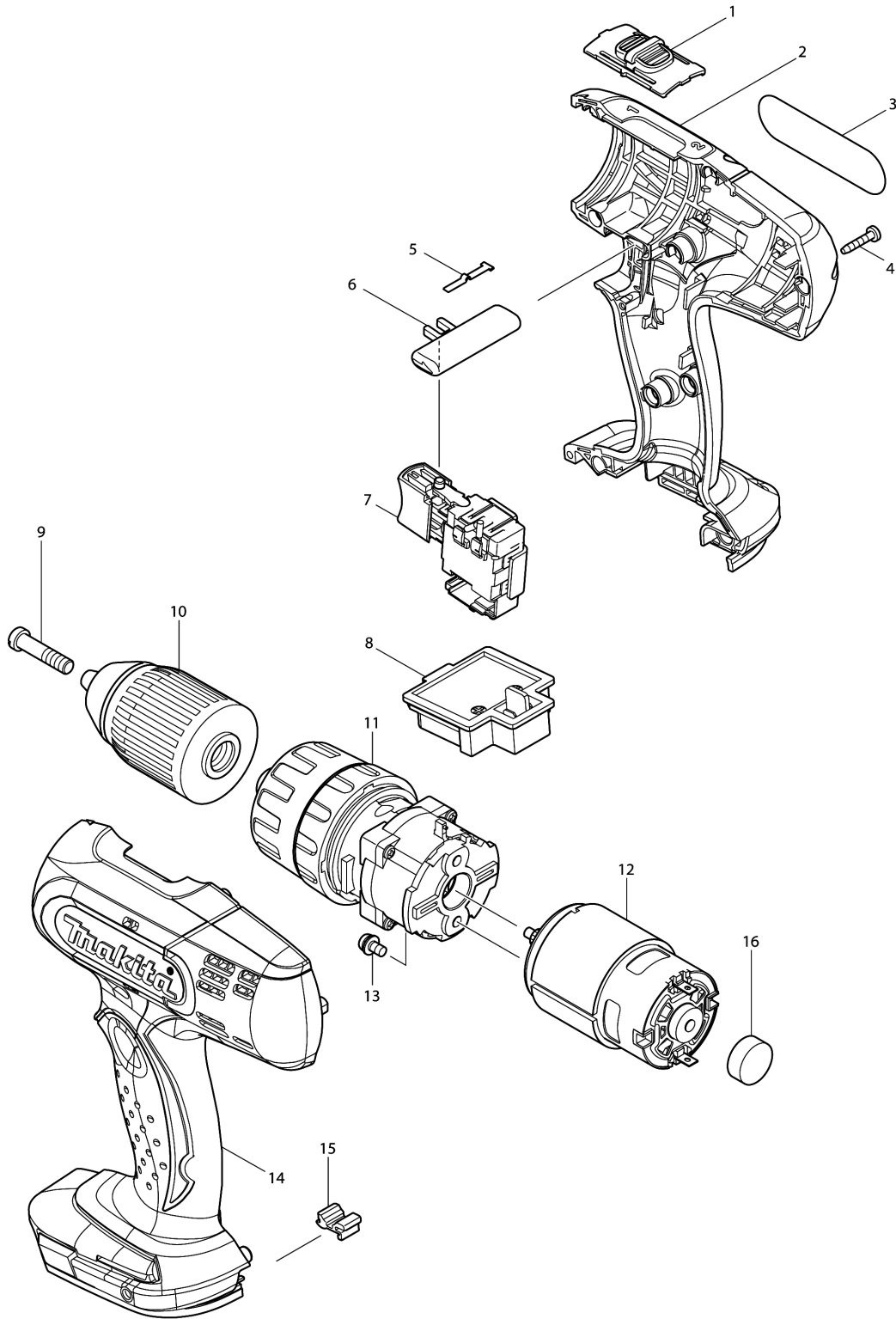


# Model No.DHP453 CORDLESS PERCUSSN-DRIVER DRILL





## Model No.DHP453 CORDLESS PERCUSSN-DRIVER DRILL

รายการ	รหัสอะไหล่	รายละเอียด	การ แลกเปลี่ยน	จำนวน	New/Old	ขาย	ซื้อ	ข้อความ
001	125310-5	SPEED CHANGE LEVER ASS'Y		1				
C10	231433-0	COMPRESSION SPRING 4		2				
002	187363-2	HOUSING SET		1				
C10	263005-3	RUBBER PIN 6		2				
D10		INC. 14						
003	815J03-9	DHP453 NAME PLATE		1				
004	266130-9	TAPPING SCREW BIND PT 3X16		9				
005	232182-2	LEAF SPRING		1				
006	419250-0	F/R CHANGE LEVER		1				
007	632A24-0	SWITCH UNIT		1				
008	643852-2	TERMINAL		1				
009	251468-5	- FLAT HEAD SCREW M6X22		1				
010	766004-9	KEYLESS DRILL CHUCK 13		1				
011A	125485-0	GEAR ASS'Y		1	*			
011B	125485-0	GEAR ASS'Y		1	*			
011C	125485-0	GEAR ASS'Y		1	*			
011D	125485-0	GEAR ASS'Y		1	*			
011-1A	125485-0	GEAR ASS'Y	O	1				
011-1B	125485-0	GEAR ASS'Y	O	1				
011-1C	125485-0	GEAR ASS'Y	O	1				
011-1D	125485-0	GEAR ASS'Y	O	1				
011-1F	125485-0	GEAR ASS'Y		1				
011-1G	125485-0	GEAR ASS'Y		1				
012	629834-8	DC MOTOR		1				
013	911108-4	PAN HEAD SCREW M4X8		2				
014	187363-2	HOUSING SET		1				
C10	263005-3	RUBBER PIN 6		2				
D10		INC. 2						
015	424476-1	CUSHION		1				
016	421940-3	CAP		1				
A01	784636-0	+ - BIT 2-65		1				
A02A	***DC18RC	DC18RC FAST CHARGER		1				
A02B	***DC18SD	DC18SD BATTERY CHARGER		1				
A02D	***DC18SD	DC18SD BATTERY CHARGER		1				
A02F	***DC18SD	DC18SD BATTERY CHARGER		1				
A02G	***DC18SD	DC18SD BATTERY CHARGER		1				
A03A	196015-4	BATTERY BL1830 SET		2	*			
A03B	196013-8	BATTERY BL1815 SET		2				
A03F	199283-8	BATTERY BL1830B SET		1	*			
A03-1A	196015-4	BATTERY BL1830 SET	O	2	*			

Please order the parts with part number.

Print Date 24/8/2021

## Model No.DHP453 CORDLESS PERCUSSN-DRIVER DRILL

รายการ	รหัสอะไหล่	รายละเอียด	การ แลกเปลี่ยน	จำนวน	New/Old	ขาย	ซื้อ	ข้อความ
A03-1D	196448-3	BATTERY BL1815N SET		2	*			
A03-1F	199283-8	BATTERY BL1830B SET	<	1				
A03-1G	199283-8	BATTERY BL1830B SET		2	*			
A03-2A	197600-6	BATTERY BL1830B SET	<	2	*			
A03-2D	196235-0	BATTERY BL1815N SET	O	2	*			
A03-2G	199283-8	BATTERY BL1830B SET	<	2				
A03-3A	199283-8	BATTERY BL1830B SET	<	2	*			
A03-3D	199284-6	BATTERY BL1815N SET	<	2	*			
A03-4A	199283-8	BATTERY BL1830B SET	<	2				
A03-4D	199284-6	BATTERY BL1815N SET	<	2				
A04A	450128-8	BATTERY COVER		1				
A04B	450128-8	BATTERY COVER		1				
A04D	450128-8	BATTERY COVER		1				
A04G	450128-8	BATTERY COVER		1				
A05A	158777-2	PLASTIC CARRYING CASE		1				
C10	163455-1	LATCH		2				
C20	419360-3	HANDLE		1				
A05B	158777-2	PLASTIC CARRYING CASE		1				
C10	163455-1	LATCH		2				
C20	419360-3	HANDLE		1				
A05D	158777-2	PLASTIC CARRYING CASE		1				
C10	163455-1	LATCH		2				
C20	419360-3	HANDLE		1				
A05F	821550-0	CONNECTOR PLASTIC CASE (TYPE2)		1				
C10	453974-8	LATCH		4				
A05G	821809-5	PLASTIC CASE		1				
C10	455522-9	SLIDE LATCH		2				
A06F	837916-4	INNER TRAY		1				
A06G	D-67658	101PCS.ACCESSORY SET FOR HP453		1	*			
A06-1G	D-72148	ACCESSORY SET FOR HP453	X	1				
A07F	819T12-0	DHP453SF1J INDICATION LABEL		1				
A08F	819T13-8	DHP453SF1J PLASTIC CASE LABEL		2				

Please order the parts with part number.

Print Date 24/8/2021