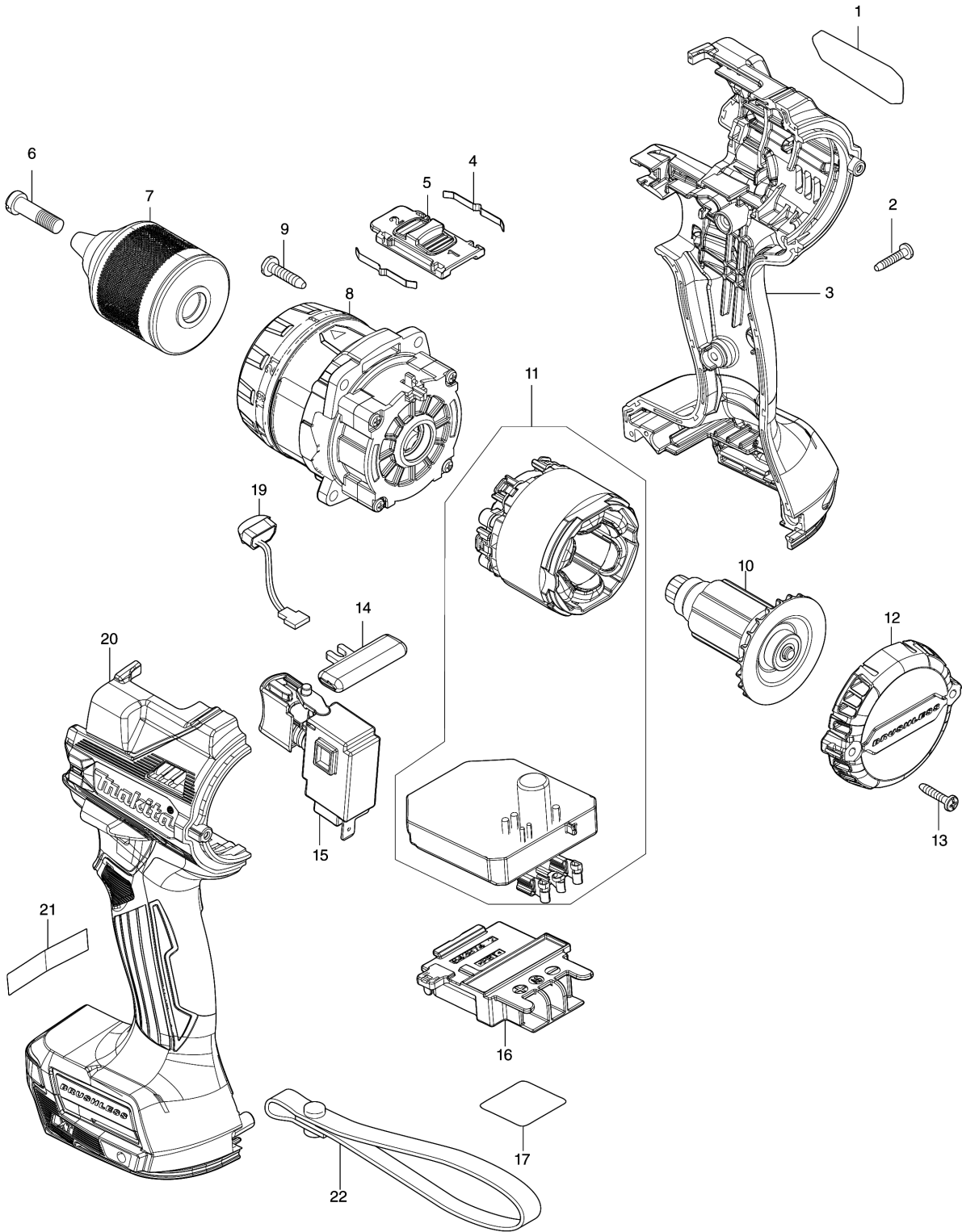


Model No.DDF486 CORDLESS HAMMER DRIVER DRILL



Model No.DDF486 CORDLESS HAMMER DRIVER DRILL

| รายการ | รหัสอะไหล่ | รายละเอียด | การ แลกเปลี่ยน | จำนวน | New/Old | ขาย | ซื้อ | ข้อความ |
|--------|------------|--------------------------------|-------------------|-------|---------|-----|------|---------|
| 001 | 811B51-8 | DDF486 NAME PLATE | | 1 | | | | |
| 002 | 266130-9 | TAPPING SCREW BIND PT 3X16 | | 7 | | | | |
| 003 | 183R83-4 | HOUSING SET | | 1 | | | | |
| C10 | 263005-3 | RUBBER PIN 6 | | 2 | | | | |
| C20 | 252126-6 | HEX. LOCK NUT M4-7 | | 2 | | | | |
| D10 | | INC. 20 | | | | | | |
| 004 | 232220-0 | LEAF SPRING | | 2 | | | | |
| 005 | 127494-5 | SPEED CHANGE LEVER ASSEMBLY | | 1 | | | | |
| C10 | 233438-6 | COMPRESSION SPRING 4 | | 2 | | | | |
| 006 | 251468-5 | - FLAT HEAD SCREW M6X22 | | 1 | | | | |
| 007 | 763252-1 | KEYLESS DRILL CHUCK 13 | | 1 | | | | |
| 008 | 127699-7 | GEAR ASSEMBLY | | 1 | * | | | |
| 008-1 | 122B69-7 | GEAR ASSEMBLY | O | 1 | | | | |
| 009 | 266326-2 | TAPPING SCREW 4X18 | | 4 | | | | |
| 010 | 619656-4 | ROTOR | | 1 | | | | |
| 011 | 629A33-8 | STATOR COMPLETE | | 1 | | | | |
| 012 | 413405-9 | REAR COVER | | 1 | | | | |
| 013 | 266130-9 | TAPPING SCREW BIND PT 3X16 | | 2 | | | | |
| 014 | 419041-9 | F/R CHANGE LEVER | | 1 | | | | |
| 015 | 651443-5 | SWITCH C3JR-4B | | 1 | | | | |
| 016 | 643874-2 | TERMINAL | | 1 | | | | |
| 017 | 811B59-2 | DDF486 SERIAL NO. LABEL | | 1 | | | | |
| 019 | 620549-0 | LED CIRCUIT | | 1 | | | | |
| 020 | 183R83-4 | HOUSING SET | | 1 | | | | |
| C10 | 263005-3 | RUBBER PIN 6 | | 2 | | | | |
| C20 | 252126-6 | HEX. LOCK NUT M4-7 | | 2 | | | | |
| D10 | | INC. 3 | | | | | | |
| A01A | 127702-4 | GRIP ASSEMBLY | | 1 | * | | | |
| C10 | 140U91-6 | POLE COMPLETE | | 1 | * | | | |
| C20 | 140X19-2 | ARM R COMPLETE | | 1 | * | | | |
| C30 | 266886-4 | HEX. BOLT M8X65 | | 1 | * | | | |
| C40 | 312A63-3 | ARM L | | 1 | * | | | |
| C50 | 962055-2 | RETAINING RING (INT) R-15 | | 1 | * | | | |
| A01B | 127702-4 | GRIP ASSEMBLY | | 1 | * | | | |
| C10 | 140U91-6 | POLE COMPLETE | | 1 | * | | | |
| C20 | 140X19-2 | ARM R COMPLETE | | 1 | * | | | |
| C30 | 266886-4 | HEX. BOLT M8X65 | | 1 | * | | | |
| C40 | 312A63-3 | ARM L | | 1 | * | | | |
| C50 | 962055-2 | RETAINING RING (INT) R-15 | | 1 | * | | | |

Model No.DDF486 CORDLESS HAMMER DRIVER DRILL

| รายการ | รหัสอะไหล่ | รายละเอียด | การ แลกเปลี่ยน | จำนวน | New/Old | ขาย | ซื้อ | ข้อความ |
|--------|------------|-----------------------------------|-------------------|-------|---------|-----|------|---------|
| A01-1A | 122C02-5 | GRIP ASSEMBLY | < | 1 | | | | |
| C10 | 140U91-6 | POLE COMPLETE | | 1 | | | | |
| C20 | 140X19-2 | ARM R COMPLETE | | 1 | | | | |
| C30 | 266886-4 | HEX. BOLT M8X65 | | 1 | | | | |
| C40 | 312C73-2 | ARM L | | 1 | | | | |
| C50 | 962055-2 | RETAINING RING (INT) R-15 | | 1 | | | | |
| A01-1B | 122C02-5 | GRIP ASSEMBLY | < | 1 | | | | |
| C10 | 140U91-6 | POLE COMPLETE | | 1 | | | | |
| C20 | 140X19-2 | ARM R COMPLETE | | 1 | | | | |
| C30 | 266886-4 | HEX. BOLT M8X65 | | 1 | | | | |
| C40 | 312C73-2 | ARM L | | 1 | | | | |
| C50 | 962055-2 | RETAINING RING (INT) R-15 | | 1 | | | | |
| A01-1C | 122C02-5 | GRIP ASSEMBLY | | 1 | | | | |
| C10 | 140U91-6 | POLE COMPLETE | | 1 | | | | |
| C20 | 140X19-2 | ARM R COMPLETE | | 1 | | | | |
| C30 | 266886-4 | HEX. BOLT M8X65 | | 1 | | | | |
| C40 | 312C73-2 | ARM L | | 1 | | | | |
| C50 | 962055-2 | RETAINING RING (INT) R-15 | | 1 | | | | |
| A02 | 251314-2 | + SCREW M4X12 | | 2 | | | | |
| A03 | 346317-0 | HOOK | | 1 | | | | |
| A04 | 452947-8 | BIT HOLDER | | 1 | | | | |
| A05 | 784637-8 | + - BIT 2-45 | | 2 | | | | |
| A06B | 821550-0 | CONNECTOR PLASTIC CASE (TYPE2) | | 1 | | | | |
| C10 | 453974-8 | LATCH | | 4 | | | | |
| A06C | 821550-0 | CONNECTOR PLASTIC CASE (TYPE2) | | 1 | | | | |
| C10 | 453974-8 | LATCH | | 4 | | | | |
| A07B | 8030Y7-8 | DDF486RTJ PLASTIC CASE LABEL | | 2 | | | | |
| A07C | 8031A1-8 | DDF486RTJ PLASTIC CASE LABEL | | 2 | | | | |
| A08B | 8030Y6-0 | DDF486RTJ INDICATION LABEL | | 1 | | | | |
| A08C | 8031A0-0 | DDF486RFJ INDICATION LABEL | | 1 | | | | |
| A09B | 837916-4 | INNER TRAY | | 1 | | | | |
| A09C | 837916-4 | INNER TRAY | | 1 | | | | |
| A10B | 450128-8 | BATTERY COVER | | 1 | | | | |
| A10C | 450128-8 | BATTERY COVER | | 1 | | | | |
| A11B | ***DC18RC | DC18RC FAST CHARGER | | 1 | | | | |
| D10 | | COMPO-PARTS | | | | | | |
| A11C | ***DC18RC | DC18RC FAST CHARGER | | 1 | | | | |
| D10 | | COMPO-PARTS | | | | | | |

Model No.DDF486 CORDLESS HAMMER DRIVER DRILL

| รายการ | รหัสอะไหล่ | รายละเอียด | การ แลกเปลี่ยน | จำนวน | New/Old | ขาย | ซื้อ | ข้อความ |
|--------|------------|---------------------|-------------------|-------|---------|-----|------|---------|
| A12B | 199282-0 | BATTERY BL1850B SET | | 2 | | | | |
| A12C | 199283-8 | BATTERY BL1830B SET | | 2 | | | | |

Please order the parts with part number.

Print Date 24/8/2021