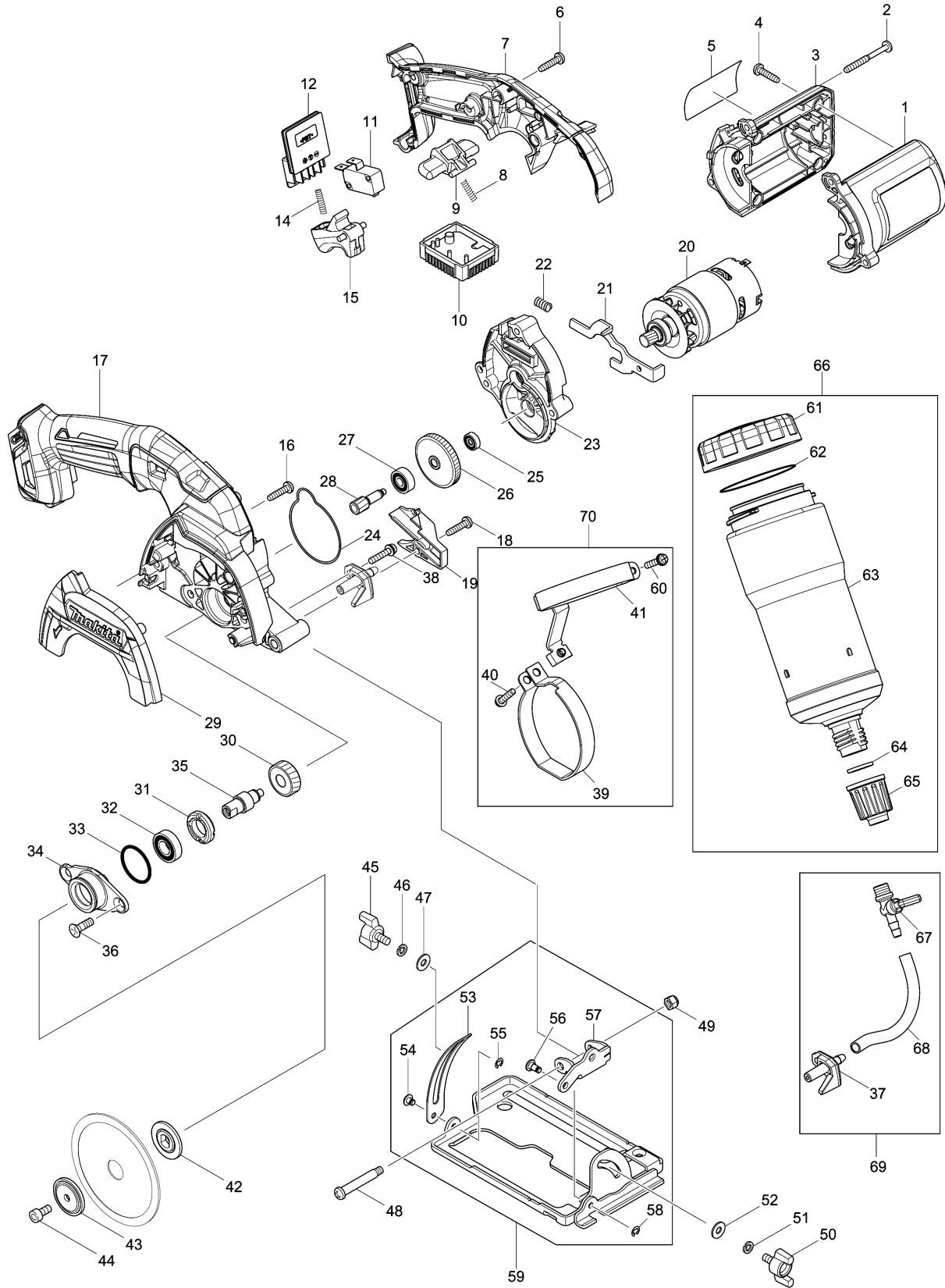


Model No.CC301D 85MM CORDLESS CUTTER



Model No.CC301D 85MM CORDLESS CUTTER

| รายการ | รหัสอะไหล่ | รายละเอียด | การ แลกเปลี่ยน | จำนวน | New/Old | ขาย | ซื้อ | ข้อความ |
|--------|------------|------------------------|-------------------|-------|---------|-----|------|---------|
| 001 | 188941-1 | MOTOR HOUSING SET | | 1 | | | | |
| D10 | | INC. 3 | | | | | | |
| 002 | 266560-4 | TAPPING SCREW 4X40 | | 3 | | | | |
| 003 | 188941-1 | MOTOR HOUSING SET | | 1 | | | | |
| D10 | | INC. 1 | | | | | | |
| 004 | 265995-6 | TAPPING SCREW 4X18 | | 4 | | | | |
| 005 | 852H03-6 | CC301D NAME PLATE | | 1 | * | | | |
| 005-1 | 852H02-8 | CC301D NAME PLATE | < | 1 | | | | |
| 006 | 265995-6 | TAPPING SCREW 4X18 | | 6 | | | | |
| 007 | 183D87-2 | HANDLE SET | | 1 | | | | |
| C10 | 263002-9 | RUBBER PIN 4 | | 2 | | | | |
| C20 | 931102-0 | HEX. NUT M4 | | 1 | | | | |
| C30 | 931202-6 | HEX. NUT M5 | | 3 | | | | |
| D10 | | INC. 17 | | | | | | |
| 008 | 231469-9 | COMPRESSION SPRING 4 | | 1 | | | | |
| 009 | 419664-3 | LOCK OFF LEVER | | 1 | | | | |
| 010 | 632F84-2 | CONTROLLER UNIT | | 1 | * | | | |
| 010-1 | 632L91-1 | CONTROLLER UNIT | < | 1 | | | | |
| 011 | 650577-1 | SWITCH SD-006-BB2AA-AA | | 1 | | | | |
| 012 | 644813-5 | TERMINAL | | 1 | | | | |
| 014 | 231469-9 | COMPRESSION SPRING 4 | | 1 | | | | |
| 015 | 419665-1 | SWITCH LEVER | | 1 | | | | |
| 016 | 265995-6 | TAPPING SCREW 4X18 | | 2 | | | | |
| 017 | 183D87-2 | HANDLE SET | | 1 | | | | |
| C10 | 263002-9 | RUBBER PIN 4 | | 2 | | | | |
| C20 | 931102-0 | HEX. NUT M4 | | 1 | | | | |
| C30 | 931202-6 | HEX. NUT M5 | | 3 | | | | |
| D10 | | INC. 7 | | | | | | |
| 018 | 265995-6 | TAPPING SCREW 4X18 | | 1 | | | | |
| 019 | 452234-5 | DUCT | | 1 | | | | |
| 020 | 629885-1 | DC MOTOR | | 1 | | | | |
| 021 | 346337-4 | SHAFT LOCK | | 1 | | | | |
| 022 | 233117-6 | COMPRESSION SPRING 6 | | 1 | | | | |
| 023 | 140625-9 | GEAR HOUSING COMPLETE | | 1 | | | | |
| C10 | 213325-5 | O RING 19 | | 1 | | | | |
| 024 | 424358-7 | PACKING | | 1 | | | | |
| 025 | 210036-3 | BALL BEARING 604ZZ | | 1 | | | | |
| 026 | 227737-6 | HELICAL GEAR 47 | | 1 | | | | |
| 027 | 210028-2 | BALL BEARING 606ZZ | | 1 | | | | |
| 028 | 227735-0 | HELICAL GEAR 9B | | 1 | | | | |

Please order the parts with part number.

Print Date 24/8/2021

Model No.CC301D 85MM CORDLESS CUTTER

| รายการ | รหัสอะไหล่ | รายละเอียด | การ แลกเปลี่ยน | จำนวน | New/Old | ขาย | ซื้อ | ข้อความ |
|--------|------------|-----------------------------------|-------------------|-------|---------|-----|------|---------|
| 029 | 456906-4 | BLADE COVER | | 1 | | | | |
| 030 | 227736-8 | HELICAL GEAR 28 | | 1 | | | | |
| 031 | 285847-5 | BEARING RETAINER 14-23 | | 1 | | | | |
| 032 | 210069-8 | BALL BEARING 6900DDW | | 1 | | | | |
| 033 | 213435-8 | O RING 26 | | 1 | | | | |
| 034 | 318660-7 | BEARING BOX | | 1 | | | | |
| 035 | 325983-6 | SPINDLE | | 1 | | | | |
| 036 | 265034-2 | + COUNTERSUNK HEAD SCREW M5X16 | | 2 | | | | |
| 037 | 453555-8 | NOZZLE | | 1 | | | | |
| 038 | 911138-5 | P.H.SCREW M4X20 WITH WR | | 1 | | | | |
| 039 | 346578-2 | BAND B | | 1 | | | | |
| 040 | 911138-5 | P.H.SCREW M4X20 WITH WR | | 1 | | | | |
| 041 | 346579-0 | TANK HOLDER | | 1 | | | | |
| 042 | 224435-3 | INNER FLANGE 28 | | 1 | | | | |
| 043 | 224177-9 | OUTER FLANGE 28 | | 1 | | | | |
| 044 | 922212-4 | HEX. SOCKET HEAD BOLT M5X12 | | 1 | | | | |
| 045 | 265760-3 | THUMB SCREW M5X10 | | 1 | | | | |
| 046 | 942101-7 | SPRING WASHER 5 | | 1 | * | | | |
| 046-1 | 253427-5 | SPRING WASHER 5 | O | 1 | * | | | |
| 047 | 941101-4 | FLAT WASHER 5 | | 1 | | | | |
| 048 | 265056-2 | + PAN HEAD SCREW M5 | | 1 | | | | |
| 049 | 252103-8 | HEX. LOCK NUT M5-8 | | 1 | | | | |
| 050 | 265760-3 | THUMB SCREW M5X10 | | 1 | | | | |
| 051 | 942101-7 | SPRING WASHER 5 | | 1 | * | | | |
| 051-1 | 253427-5 | SPRING WASHER 5 | O | 1 | * | | | |
| 052 | 941101-4 | FLAT WASHER 5 | | 1 | | | | |
| 053 | 346587-1 | DEPTH GUIDE | | 1 | | | | |
| 054 | 268004-0 | PIN 4 | | 1 | | | | |
| 055 | 961017-7 | STOP RING E-3 | | 1 | | | | |
| 056 | 268028-6 | PIN 5 | | 1 | | | | |
| 057 | 346586-3 | ANGULAR GUIDE | | 1 | | | | |
| 058 | 961017-7 | STOP RING E-3 | | 1 | | | | |
| 059 | 135503-6 | BASE ASS'Y | | 1 | | | | |
| D10 | | INC. 53-58 | | | | | | |
| 060 | 911138-5 | P.H.SCREW M4X20 WITH WR | | 1 | | | | |
| 061 | 453557-4 | CAP B | | 1 | | | | |
| 062 | 213605-9 | O RING 50 | | 1 | | | | |
| 063 | 453556-6 | WATER SUPPLY TANK | | 1 | | | | |
| 064 | 261056-0 | RUBBER WASHER 12 | | 1 | * | | | |
| 064-1 | 261173-6 | RUBBER WASHER 12 | O | 1 | | | | |

Please order the parts with part number.

Print Date 24/8/2021

Model No.CC301D 85MM CORDLESS CUTTER

| รายการ | รหัสอะไหล่ | รายละเอียด | การ แลกเปลี่ยน | จำนวน | New/Old | ขาย | ซื้อ | ข้อความ |
|--------|------------|-------------------------------|-------------------|-------|---------|-----|------|---------|
| 065 | 453554-0 | CAP A | | 1 | | | | |
| 066 | 187277-5 | WATER SUPPLY TANK SET | | 1 | * | | | |
| D10 | | INC. 61-65 | | | * | | | |
| 066-1 | 183U11-7 | WATER SUPPLY TANK SET | O | 1 | | | | |
| D10 | | INC. 61-65 | | | | | | |
| 067 | 152536-6 | WATER SUPPLY COCK COMPLETE | | 1 | | | | |
| 068 | 412107-4 | VINYL TUBE 5 | | 1 | | | | |
| 069 | 187278-3 | WATER SUPPLY COCK SET | | 1 | | | | |
| D10 | | INC. 37,67,68 | | | | | | |
| 070 | 187276-7 | TANK HOLDER SET | | 1 | | | | |
| D10 | | INC. 39-41,60 | | | | | | |
| A01 | 783202-0 | HEX. WRENCH 4 | | 1 | | | | |
| A02 | B-21082 | DIAMOND WHEEL 85MM RIM WET | | 1 | | | | |
| A03B | 456128-6 | BATTERY COVER | | 2 | | | | |
| A03C | 456128-6 | BATTERY COVER | | 2 | | | | |
| A03D | 456128-6 | BATTERY COVER | | 2 | | | | |
| A04B | ***DC10WD | DC10WD BATTERY CHARGER | | 1 | | | | |
| D10 | | COMPO-PARTS | | | | | | |
| A04C | ***DC10WD | DC10WD BATTERY CHARGER | | 1 | | | | |
| D10 | | COMPO-PARTS | | | | | | |
| A04D | ***DC10WD | DC10WD BATTERY CHARGER | | 1 | | | | |
| D10 | | COMPO-PARTS | | | | | | |
| A05B | 197393-5 | BATTERY BL1016 SET | | 2 | * | | | |
| A05C | 197396-9 | BATTERY BL1021B SET | | 2 | * | | | |
| A05D | 197406-2 | BATTERY BL1041B SET | | 2 | * | | | |
| A05-1B | 199291-9 | BATTERY BL1016 SET | < | 2 | * | | | |
| A05-1C | 199290-1 | BATTERY BL1021B SET | < | 2 | * | | | |
| A05-1D | 199289-6 | BATTERY BL1041B SET | < | 2 | * | | | |
| A05-2B | 199291-9 | BATTERY BL1016 SET | < | 2 | | | | |
| A05-2C | 199290-1 | BATTERY BL1021B SET | < | 2 | | | | |
| A05-2D | 199289-6 | BATTERY BL1041B SET | < | 2 | | | | |

Please order the parts with part number.

Print Date 24/8/2021