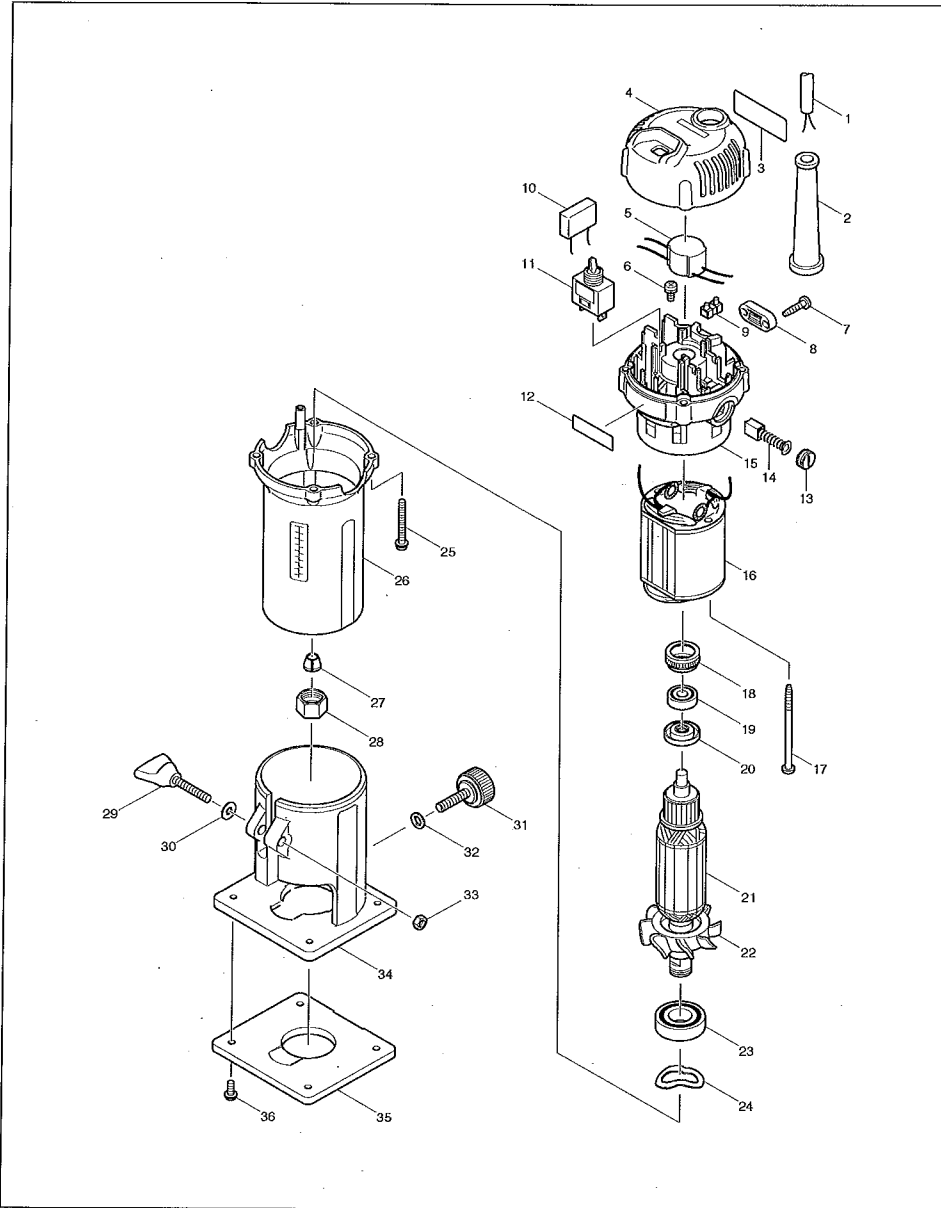


# SERVICE DRAWING

# MODEL

# MT370

MODEL NO. MT370



ITEM	PARTS ID	DESCRIPTION	PRICE/Baht
001	691410-8	POWER SUPPLY CORD 0.75-3-2.0	680
002	682569-2	CORD GUARD 8-85	110
003	860580-6	NAME PLATE MT370	80
004	418644-6	TOP COVER	150
006	652014-1	PAN HEAD SCREW M4X8	30
007	266326-2	TAPPING SCREW 4X18	30
008	687124-5	STRAIN RELIEF	70
011	651424-9	SWITCH STL106AT	170
012	819125-7	MAKTEC LOGO LABEL	70
013	643987-9	BRUSH HOLDER CAP 5-8	90
015	183825-8	BRACKET	360
017	266340-8	TAPPING SCREW 4X65	70
018	421868-5	LABYRINTH RUBBER RING 19	100
019	210062-2	BALL BEARING 607ZZ	130
020	681636-0	INSULATION WASHER	60
022	241667-7	FAN 52	250
023	211243-1	BALL BEARING 6002ZZ	180
024	267785-3	WAVE WASHER 23	60
025	266053-1	TAPPING SCREW 4X35	40
026	153851-1	MOTOR HOUSING COMPLETE	680
027	763663-0	COLLET CONE 6.35	320
028	763661-4	COLLET NUT 6	310
029	265762-9	THUMB SCREW M5X30	90
030	941101-4	FLAT WASHER 5	20
031	265763-7	THUMB SCREW M6X25	70
032	941151-9	FLAT WASHER 6	30
033	252175-3	HEX. NUT M5	70
034	411930-4	BASE	380
035	410585-2	BASE PROTECTOR	110
036	265142-9	+ PAN HEAD SCREW M4X10	70
A01	122703-7	TRIMMER GUIDE ASS'Y	280
A02	122704-5	STRAIGHT GUIDE ASS'Y	260
A03	343577-5	TEMPLET GUIDE 10	150
A04	781036-5	WRENCH 10	150
A05	781037-3	WRENCH 17	180
A06	418647-0	CHIP DEFLECTOR	90
A07	733238-9	STRAIGHT BIT 6E	680