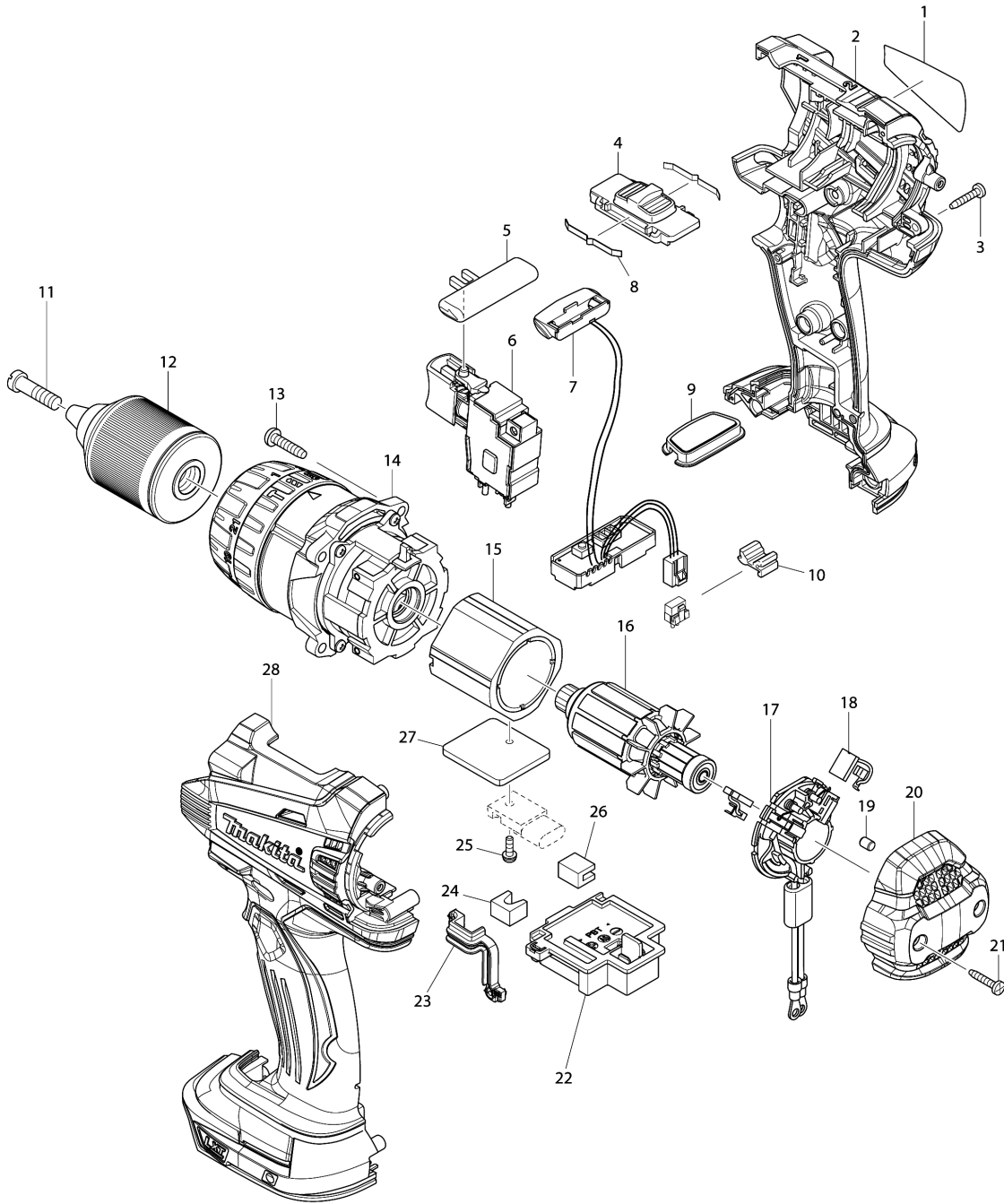


# Model No.DHP458 CORDLESS HAMMER DRIVER DRILL





## Model No.DHP458 CORDLESS HAMMER DRIVER DRILL

| รายการ | รหัสอะไหล่ | รายละเอียด                     | การ<br>แล็ก<br>เปลี่ยน | จำนวน | New/Old | ขาย | ชื่อ | ข้อความ |
|--------|------------|--------------------------------|------------------------|-------|---------|-----|------|---------|
| 001    | 814Y76-9   | DHP458 NAME PLATE              |                        | 1     |         |     |      |         |
| 002    | 187430-3   | HOUSING SET                    |                        | 1     |         |     |      |         |
| C10    | 263005-3   | RUBBER PIN 6                   |                        | 2     |         |     |      |         |
| C20    | 252126-6   | HEX. LOCK NUT M4-7             |                        | 2     |         |     |      |         |
| D10    |            | INC. 28                        |                        |       |         |     |      |         |
| 003    | 266130-9   | TAPPING SCREW BIND PT<br>3X16  |                        | 7     |         |     |      |         |
| 004    | 126100-9   | SPEED CHANGE LEVER<br>ASSEMBLY |                        | 1     |         |     |      |         |
| C10    | 233438-6   | COMPRESSION SPRING 4           |                        | 2     |         |     |      |         |
| 005    | 419250-0   | F/R CHANGE LEVER               |                        | 1     |         |     |      |         |
| 006    | 650724-4   | SWITCH TG573FSB-3              |                        | 1     |         |     |      |         |
| 007    | 620138-1   | LIGHT CIRCUIT                  |                        | 1     |         |     |      |         |
| 008    | 232220-0   | LEAF SPRING                    |                        | 2     |         |     |      |         |
| 009    | 140963-9   | SWITCH PLATE COMPLETE          |                        | 1     |         |     |      |         |
| 010    | 424476-1   | CUSHION                        |                        | 1     |         |     |      |         |
| 011    | 251468-5   | - FLAT HEAD SCREW M6X22        |                        | 1     |         |     |      |         |
| 012    | 766015-4   | KEYLESS DRILL CHUCK 13         |                        | 1     | *       |     |      |         |
| 012-1  | 763248-2   | KEYLESS DRILL CHUCK 13         | <                      | 1     | *       |     |      |         |
| 012-2  | 763252-1   | KEYLESS DRILL CHUCK 13         | O                      | 1     |         |     |      |         |
| 013    | 265995-6   | TAPPING SCREW 4X18             |                        | 4     | *       |     |      |         |
| 013-1  | 266326-2   | TAPPING SCREW 4X18             | O                      | 4     |         |     |      |         |
| 014C   | 126099-8   | GEAR ASSEMBLY                  |                        | 1     | *       |     |      |         |
| 014D   | 126099-8   | GEAR ASSEMBLY                  |                        | 1     | *       |     |      |         |
| 014-1C | 126448-9   | GEAR ASSEMBLY                  | <                      | 1     |         |     |      |         |
| 014-1D | 126448-9   | GEAR ASSEMBLY                  | <                      | 1     |         |     |      |         |
| 014-1E | 126448-9   | GEAR ASSEMBLY                  |                        | 1     |         |     |      |         |
| 015    | 638989-8   | YOKE UNIT                      |                        | 1     |         |     |      |         |
| 016    | 619301-1   | ARMATURE                       |                        | 1     | *       |     |      |         |
| 016-1  | 619496-0   | ARMATURE                       | <                      | 1     |         |     |      |         |
| 017    | 638614-1   | BRUSH HOLDER COMPLETE          |                        | 1     | *       |     |      |         |
| 017-1  | 632K62-2   | BRUSH HOLDER COMPLETE          | <                      | 1     |         |     |      |         |
| 018    | 195021-6   | CARBON BRUSH SET CB-440        |                        | 1     |         |     |      |         |
| 019    | 263032-0   | RUBBER PIN 4                   |                        | 2     |         |     |      |         |
| 020    | 453394-6   | REAR COVER                     |                        | 1     |         |     |      |         |
| 021    | 266130-9   | TAPPING SCREW BIND PT<br>3X16  |                        | 2     |         |     |      |         |
| 022    | 644808-8   | TERMINAL                       |                        | 1     |         |     |      |         |
| 023    | 424430-5   | SEAL                           |                        | 1     |         |     |      |         |
| 024    | 423422-1   | SPONGE A                       |                        | 1     |         |     |      |         |
| 025    | 911013-5   | PAN HEAD SCREW M3X10           |                        | 1     |         |     |      |         |
| 026    | 423423-9   | SPONGE B                       |                        | 1     |         |     |      |         |

Please order the parts with part number.

Print Date 24/8/2021

## Model No.DHP458 CORDLESS HAMMER DRIVER DRILL

| รายการ | รหัสอะไหล่ | รายละเอียด            | การ<br>แลกเปลี่ยน | จำนวน | New/Old | ขาย | ซื้อ | ข้อความ |
|--------|------------|-----------------------|-------------------|-------|---------|-----|------|---------|
| 027    | 689176-2   | HEAT SINK             |                   | 1     |         |     |      |         |
| 028    | 187430-3   | HOUSING SET           |                   | 1     |         |     |      |         |
| C10    | 263005-3   | RUBBER PIN 6          |                   | 2     |         |     |      |         |
| C20    | 252126-6   | HEX. LOCK NUT M4-7    |                   | 2     |         |     |      |         |
| D10    |            | INC. 2                |                   |       |         |     |      |         |
| A01    | 126131-8   | GRIP ASSEMBLY         |                   | 1     | *       |     |      |         |
| C10    | 154935-8   | GRIP 36 COMPLETE      |                   | 1     | *       |     |      |         |
| C20    | 266750-9   | SQUARE BOLT M8X100    |                   | 1     | *       |     |      |         |
| C30    | 346566-9   | GRIP SPRING 60        |                   | 1     | *       |     |      |         |
| C40    | 453584-1   | GRIP BASE 60          |                   | 1     | *       |     |      |         |
| C50    | 265785-7   | THUMB SCREW M5X10     |                   | 1     | *       |     |      |         |
| C60    | 931202-6   | HEX. NUT M5           |                   | 1     | *       |     |      |         |
| A01-1  | 123257-7   | GRIP ASSEMBLY         | <                 | 1     |         |     |      |         |
| C10    | 154935-8   | GRIP 36 COMPLETE      |                   | 1     |         |     |      |         |
| C20    | 266899-5   | SQUARE BOLT M8X140    |                   | 1     |         |     |      |         |
| C30    | 346566-9   | GRIP SPRING 60        |                   | 1     |         |     |      |         |
| C40    | 455189-3   | GRIP BASE 60          |                   | 1     |         |     |      |         |
| C50    | 265785-7   | THUMB SCREW M5X10     |                   | 1     |         |     |      |         |
| C60    | 931202-6   | HEX. NUT M5           |                   | 1     |         |     |      |         |
| A02    | 251314-2   | + SCREW M4X12         |                   | 2     |         |     |      |         |
| A03    | 346317-0   | HOOK                  |                   | 1     |         |     |      |         |
| A04    | 452947-8   | BIT HOLDER            |                   | 1     |         |     |      |         |
| A05    | 784637-8   | + - BIT 2-45          |                   | 2     |         |     |      |         |
| A06    | 122576-8   | STOPPER POLE ASS'Y    |                   | 1     |         |     |      |         |
| A07C   | ***DC18RC  | DC18RC FAST CHARGER   |                   | 1     |         |     |      |         |
| A07E   | ***DC18RC  | DC18RC FAST CHARGER   |                   | 1     |         |     |      |         |
| A08C   | 196015-4   | BATTERY BL1830 SET    |                   | 2     | *       |     |      |         |
| A08E   | 196015-4   | BATTERY BL1830 SET    |                   | 3     | *       |     |      |         |
| A08-1C | 196015-4   | BATTERY BL1830 SET    | O                 | 2     | *       |     |      |         |
| A08-1E | 196015-4   | BATTERY BL1830 SET    | O                 | 3     | *       |     |      |         |
| A08-2C | 197600-6   | BATTERY BL1830B SET   | <                 | 2     | *       |     |      |         |
| A08-2E | 197600-6   | BATTERY BL1830B SET   | <                 | 3     | *       |     |      |         |
| A08-3C | 199283-8   | BATTERY BL1830B SET   | <                 | 2     | *       |     |      |         |
| A08-3E | 199283-8   | BATTERY BL1830B SET   | <                 | 3     | *       |     |      |         |
| A08-4C | 199283-8   | BATTERY BL1830B SET   | <                 | 2     |         |     |      |         |
| A08-4E | 199283-8   | BATTERY BL1830B SET   | <                 | 3     |         |     |      |         |
| A09C   | 450128-8   | BATTERY COVER         |                   | 1     |         |     |      |         |
| A09E   | 450128-8   | BATTERY COVER         |                   | 2     |         |     |      |         |
| A10C   | 821524-1   | PLASTIC CARRYING CASE |                   | 1     |         |     |      |         |
| C10    | 162302-3   | LATCH                 |                   | 2     |         |     |      |         |

Please order the parts with part number.

Print Date 24/8/2021

## Model No.DHP458 CORDLESS HAMMER DRIVER DRILL

| รายการ | รหัสอะไหล่ | รายละเอียด                    | การ<br>แลกเปลี่ยน | จำนวน | New/Old | ขาย | ซื้อ | ข้อความ |
|--------|------------|-------------------------------|-------------------|-------|---------|-----|------|---------|
| C20    | 325809-2   | SHAFT                         |                   | 1     |         |     |      |         |
| C30    | 451749-9   | HANDLE                        |                   | 1     |         |     |      |         |
| C40    | 453473-0   | PLASTIC CASE LID              |                   | 1     |         |     |      |         |
| A10E   | 821524-1   | PLASTIC CARRYING CASE         |                   | 1     |         |     |      |         |
| C10    | 162302-3   | LATCH                         |                   | 2     |         |     |      |         |
| C20    | 325809-2   | SHAFT                         |                   | 1     |         |     |      |         |
| C30    | 451749-9   | HANDLE                        |                   | 1     |         |     |      |         |
| C40    | 453473-0   | PLASTIC CASE LID              |                   | 1     |         |     |      |         |
| A11C   | 802J57-5   | DHP458RFE PLASTIC CASE LABEL  |                   | 2     | *       |     |      |         |
| A11E   | 802J61-4   | DHP458RFE3 PLASTIC CASE LABEL |                   | 2     | *       |     |      |         |
| A11-1C | 802J59-1   | DHP458RFE PLASTIC CASE LABEL  | <                 | 2     |         |     |      |         |
| A11-1E | 810L75-1   | DHP458RFE3 PLASTIC CASE LABEL | <                 | 2     |         |     |      |         |

Please order the parts with part number.

Print Date 24/8/2021