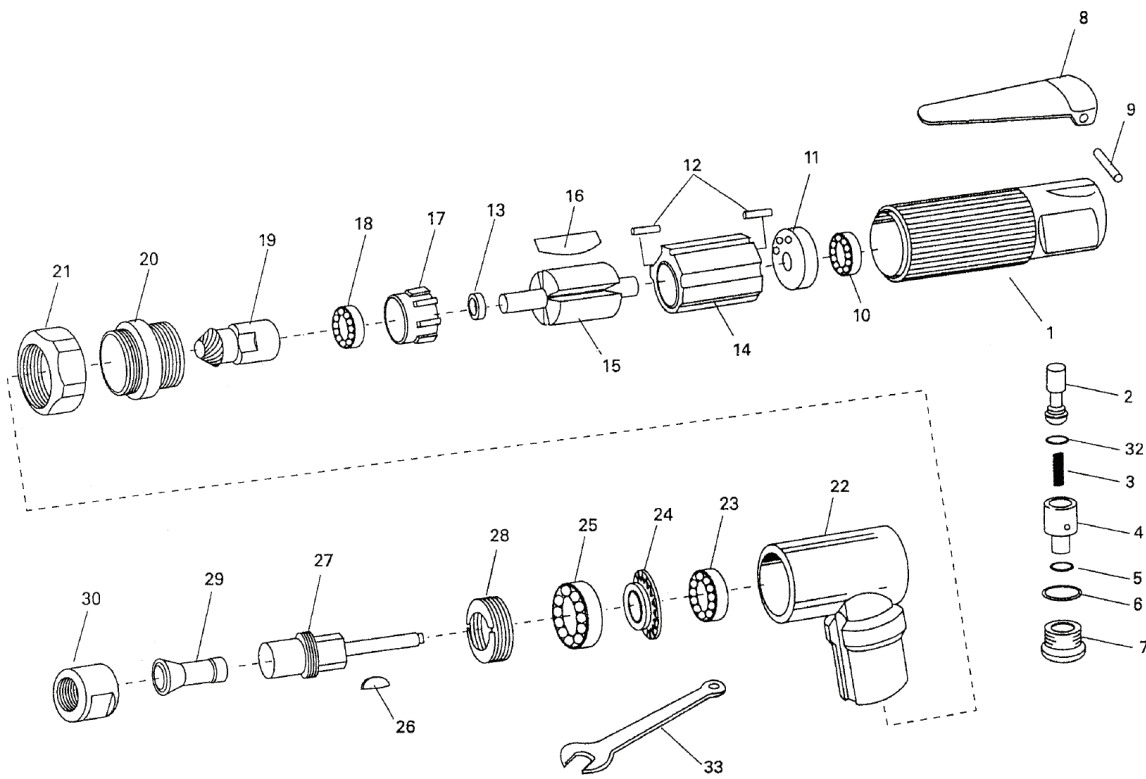


## MG-7236B Die Grinder

KT-code: T111-0610



No.	KT-Code	Part no.	Description	Required Q'ty
001		T50712010	Motor housing	1 pc
002		T50712020	Valve stem	1 pc
003		T50710050	Spring	1 pc
004		T50712040	Regulator	1 pc
005		T50712050	O-ring P-7	1 pc
006		T50710020	O-ring P-10A	1 pc
007		T50712070	Valve screw	1 pc
008	T112-4421	T50710090	Throttle lever	1 pc
009	T112-3258	T50402090	Spring pin 3x24	1 pc
010	T112-3283	T50712100	Bearing 696ZZ	1 pc
011	T112-4711	T50712110	Rear plate	1 pc
012		T50210470	Spring pin 2.5x5	2 pcs
013		T50712130	Spacer	1 pc
014	T112-4610	T50402150	Cylinder	1 pc
015		T50712150	Rotor	1 pc
016	T112-3270	T50402120	Rotor blade (ราคายายเป็น 4ชิ้น/ชุด)	4 pcs
017	T112-4717	T50712170	Front plate	1 pc
018	T112-3285	T50402180	Bearing 608ZZ	1 pc
019	T112-3278	T50712190	Pinion gear	1 pc
020	T112-3280	T50712200	Lock ring	1 pc
021		T50712210	Motor cap	1 pc
022	T112-3282	T50712220	Angle housing	1 pc
023	T112-3283	T50712100	Bearing 696ZZ	1 pc
024	T112-3284	T50712240	Gear	1 pc
025	T112-3285	T50402180	Bearing 608ZZ	1 pc
026	T112-3286	T50712260	Key	1 pc
027	T112-3287	T50712270	Spindle	1 pc
028	T112-3288	T50712280	Bearing lock ring	1 pc
029	T112-3289	T50712290	Collet 6mm	1 pc
030	T112-3290	T50712300	Collet nut	1 pc
032		T50213260	O-ring P-4	1 pc
033		T50712330	Spanner 17mm	2 pcs