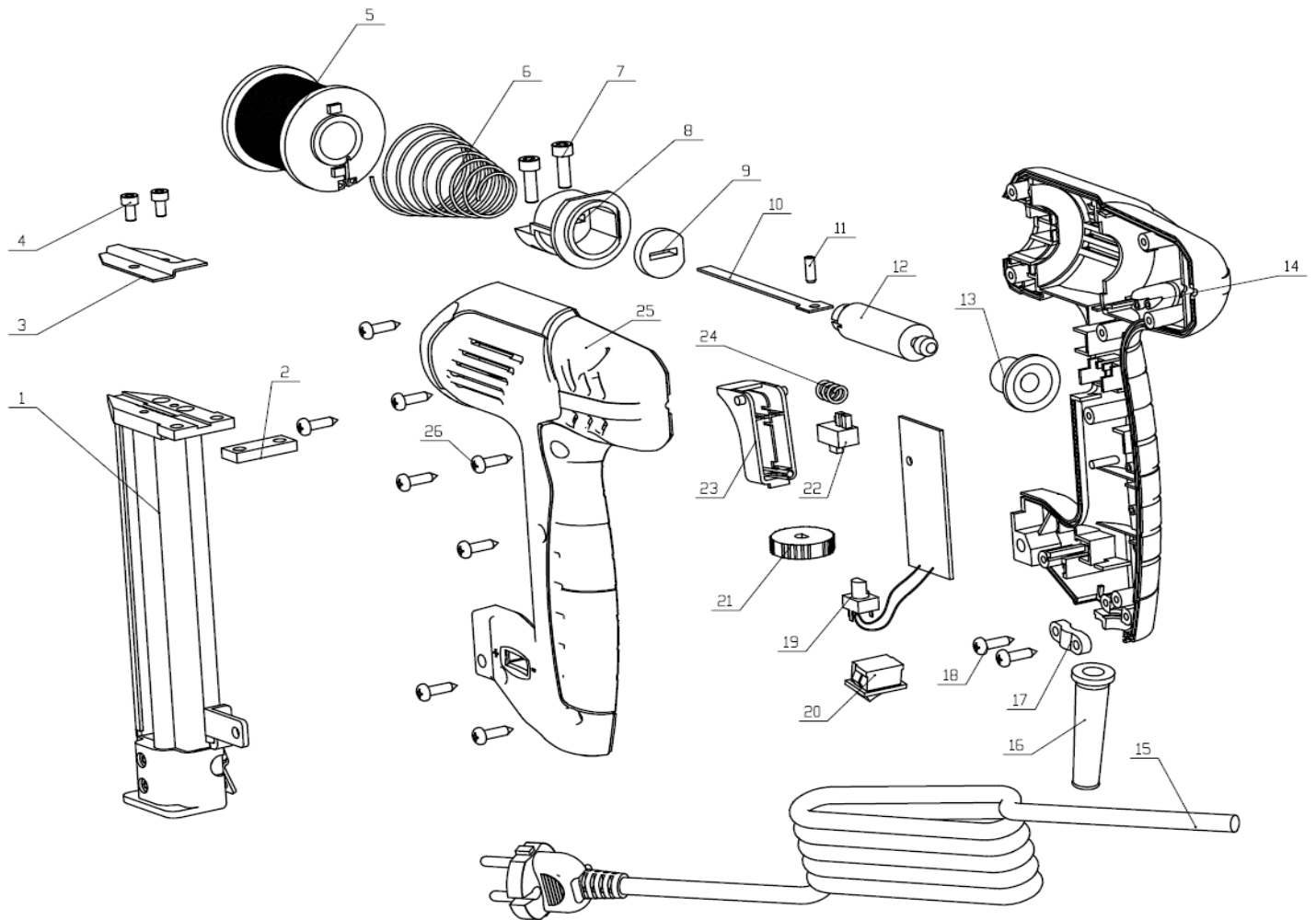


## PART LIST MODEL F30 POLO



Part No.	Description	Quantity
1	Magazine	1
2	Washer	1
3	Safety cover	1
4	Hexagon socket cap screw M4X8	2
5	Coil	1
6	Spring	1
7	Hexagon socket cap screw M5X20	2
8	Nozzle	1
9	Bumper B	1
10	Driver blade	1
11	Spring pin	1
12	Driver piston	1
13	Bumper B	1
14	Right housing case	1

15	Cable	1
16	Cable shield	1
17	Cord clamp	1
18	Self-tapping screw	2
19	Circuit board	1
20	Power switch	1
21	Speed control switch	1
22	Trigger switch	1
23	Start trigger	1
24	Spring for switch	1
25	Left housing case	1
26	Self-tapping screw	8