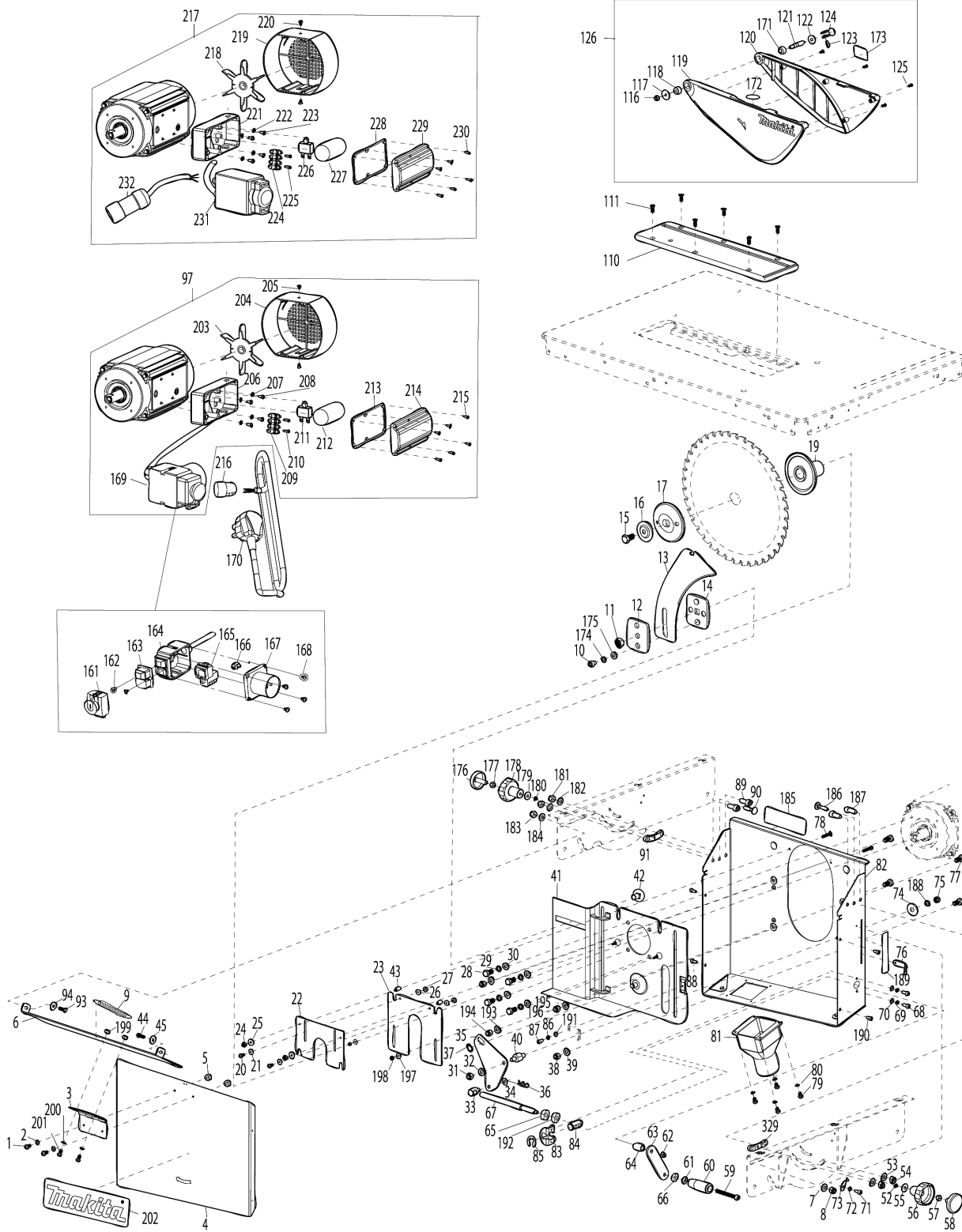
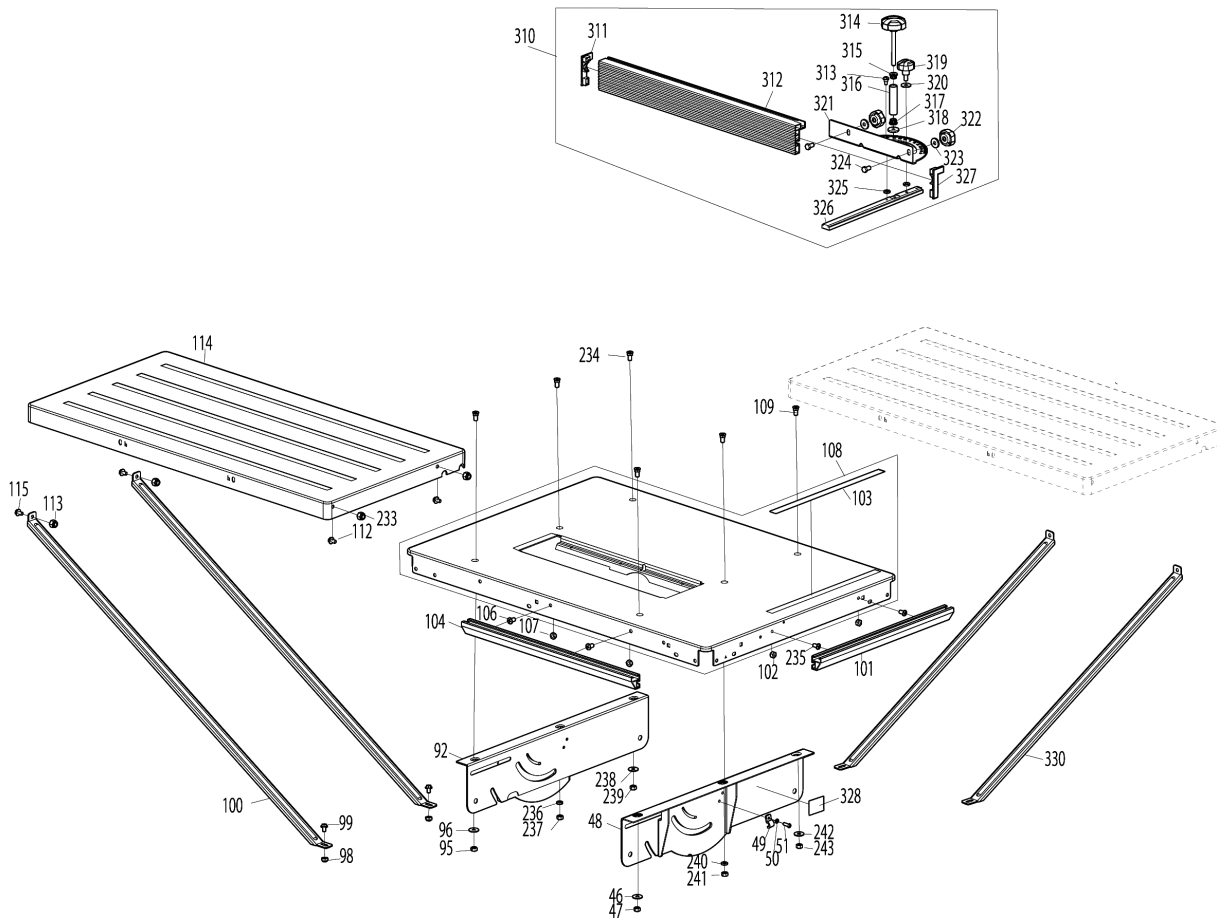


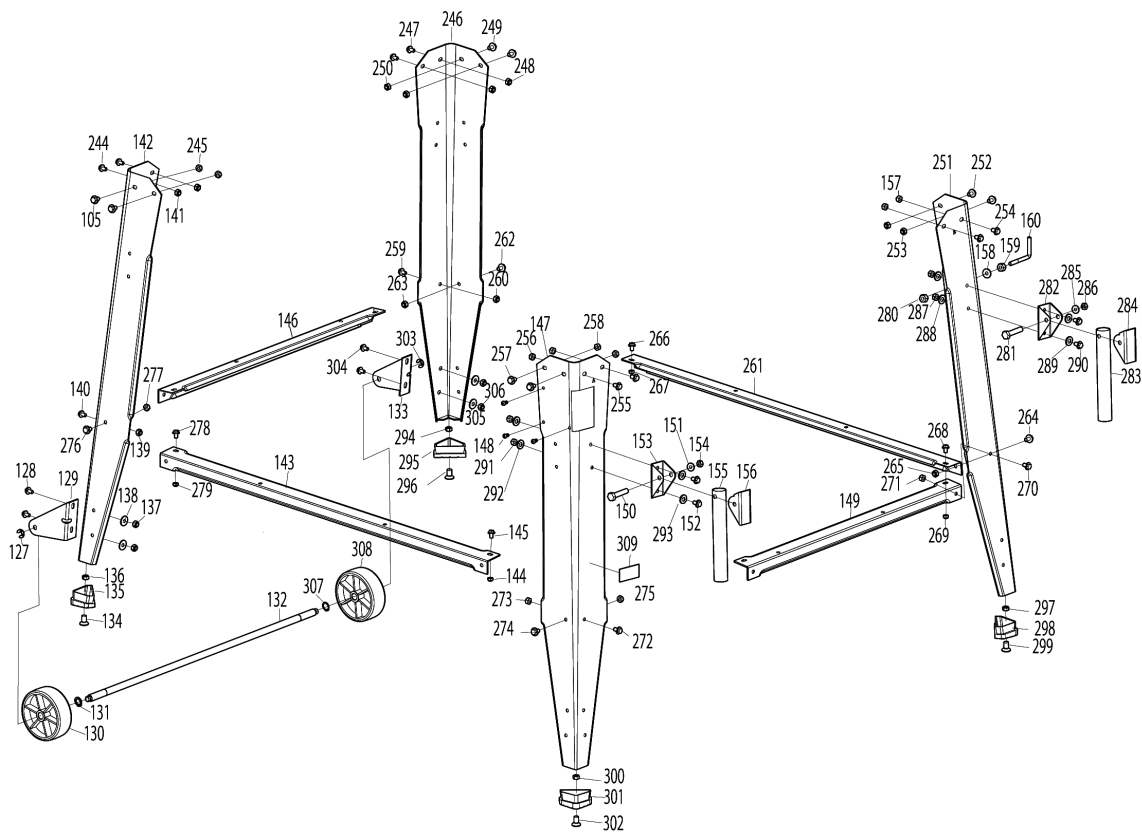
Model No.2712 315MM TABLE SAW



Model No.2712 315MM TABLE SAW



Model No.2712 315MM TABLE SAW



Model No.2712 315MM TABLE SAW

รายการ	รหัสอะไหล่	รายละเอียด	การ แลกเปลี่ยน	จำนวน	New/Old	ขาย	ชื่อ	ข้อความ
001	JM27100031	PAN HEAD SCREW M5X10		2	*			
001-1	JM27100031	PAN HEAD SCREW M5X10	O	2				
002	JM27100032	FLAT WASHER 5		2				
003	JM27100033	HINGE		1				
004	JM27110001	BLADE CASE COVER		1	*			
004-1	JM27110001	BLADE CASE COVER	O	1				
005	JM27100111	HEX LOCK NUT M5		2	*			
005-1	JM27100111	HEX LOCK NUT M5	O	2				
006	JM27100035	FLAP PROTECTOR		1	*			
006-1	JM27100035	FLAP PROTECTOR	O	1				
007	JM27100132	FLAT WASHER 6 (L)		1				
008	JM27100016	HEX LOCK NUT M6		1	*			
008-1	JM27100016	HEX LOCK NUT M6	O	1				
009	JM27100036	TENSION SPRING		1	*			
009-1	JM27100036	TENSION SPRING	O	1				
010	JM27100104	HEX SOCKET HEAD BOLT M6X6		1	*			
010-1	JM27100104	HEX SOCKET HEAD BOLT M6X6	O	1				
011	JM27100037	HEX LOCK NUT M12		1	*			
011-1	JM27100037	HEX LOCK NUT M12	O	1				
012	JM27100038	RIVING KNIFE FIX PLATE OUTER		1	*			
012-1	JM27100038	RIVING KNIFE FIX PLATE OUTER	O	1				
013	JM27100039	RIVING KNIFE		1				
014	JM27100040	RIVING KNIFE FIX PLATE INNER		1	*			
014-1	JM27100040	RIVING KNIFE FIX PLATE INNER	O	1				
015	JM27100041	HEX FLANGE BOLT M10X20 LH		2	*			
015-1	JM27100041	HEX FLANGE BOLT M10X20 LH	O	1	*			
015-2	JM27100041	HEX FLANGE BOLT M10X20 LH	O	1				
016	JM27100042	CLAMP WASHER 30		1	*			
016-1	JM27100042	CLAMP WASHER 30	O	1				
017	JM27100043	OUTER FLANGE 79		1	*			
017-1	JM27100043	OUTER FLANGE 79	O	1				
019	JM27100044	INNER FLANGE 79-30		1	*			
019-1	JM27100044	INNER FLANGE 79-30	O	1				
020	JM27100047	PAN HEAD SCREW M4X12		2	*			
020-1	JM27100047	PAN HEAD SCREW M4X12	O	2				
021	JM27100046	FLAT WASHER 4(L)		2	*			
021-1	JM27100046	FLAT WASHER 4(L)	O	2				

Please order the parts with part number.

Print Date 15/8/2021

Model No.2712 315MM TABLE SAW

รายการ	รหัสอะไหล่	รายละเอียด	การ แลกเปลี่ยน	จำนวน	New/Old	ขาย	ซื้อ	ข้อความ
022	JM27100048	SIDE PROTECTION SMALL		1	*			
022-1	JM27100048	SIDE PROTECTION SMALL	O	1				
023	JM27100049	SIDE PROTECTION LARGE		1	*			
023-1	JM27100049	SIDE PROTECTION LARGE	O	1				
024	JM27100045	HEX LOCK NUT M4		2	*			
024-1	JM27100045	HEX LOCK NUT M4	O	2				
025	JM27100046	FLAT WASHER 4(L)		2	*			
025-1	JM27100046	FLAT WASHER 4(L)	O	2				
026	JM27100046	FLAT WASHER 4(L)		2	*			
026-1	JM27100046	FLAT WASHER 4(L)	O	2				
027	JM27100045	HEX LOCK NUT M4		2	*			
027-1	JM27100045	HEX LOCK NUT M4	O	2				
028	JM27100050	HEX BOLT M8X16		4	*			
028-1	JM27100050	HEX BOLT M8X16	O	4				
030	JM00000370	FLAT WASHER 8 (L)		4				
031	JM27100053	HEX LOCK NUT M8		1	*			
031-1	JM27100053	HEX LOCK NUT M8	O	1				
032	JM27100054	FLAT WASHER 8		1				
033	JM27100055	BLADE HEIGHT ADJUSTING NUT M10		1	*			
033-1	JM27100055	BLADE HEIGHT ADJUSTING NUT M10	O	1				
034	JM27100106	FLAT WASHER 8		1				
035	JM27100057	ADJUSTING PLATE		1				
036	JM27100056	R PIN 8		1	*			
036-1	JM27100056	R PIN 8	O	1				
037	JM27100025	RETAINING RING S-10		1	*			
037-1	JM27100025	RETAINING RING S-10	O	1				
038	JM27100053	HEX LOCK NUT M8		4	*			
038-1	JM27100053	HEX LOCK NUT M8	O	4				
039	JM00000370	FLAT WASHER 8 (L)		4				
040	JM27100058	DOUBLE THREAD BOLT M8X14		1	*			
040-1	JM27100058	DOUBLE THREAD BOLT M8X14	O	1				
041	JM27100072	LIFTING FRAME		1				
042	JM27100073	SQUARE NECK BOLT M12X20		1	*			
042-1	JM27100073	SQUARE NECK BOLT M12X20	O	1				
043	JM27100059	SLEEVE 7X4X13		2	*			
043-1	JM27100059	SLEEVE 7X4X13	O	2				
044	JM27100011	HEX BOLT M6X12		1	*			
044-1	JM27100011	HEX BOLT M6X12	O	1				
045	JM27100132	FLAT WASHER 6 (L)		1				

Please order the parts with part number.

Print Date 15/8/2021

Model No.2712 315MM TABLE SAW

รายการ	รหัสอะไหล่	รายละเอียด	การ แลกเปลี่ยน	จำนวน	New/Old	ขาย	ซื้อ	ข้อความ
046	JM27100132	FLAT WASHER 6 (L)		1				
047	JM27100016	HEX LOCK NUT M6		1	*			
047-1	JM27100016	HEX LOCK NUT M6	O	1				
048	JM27100080	ANGLE SUPPORT PLATE FRONT		1	*			
048-1	JM27100080	ANGLE SUPPORT PLATE FRONT	O	1				
049	JM27100078	CORD CLAMP		1				
050	JM27100032	FLAT WASHER 5		1				
051	JM27100031	PAN HEAD SCREW M5X10		1	*			
051-1	JM27100031	PAN HEAD SCREW M5X10	O	1				
052	JM27100079	E SHAPE RETAINING RING 4		1	*			
052-1	JM27100079	E SHAPE RETAINING RING 4	O	1				
053	JM00000370	FLAT WASHER 8 (L)		2				
054	JM27100053	HEX LOCK NUT M8		2	*			
054-1	JM27100053	HEX LOCK NUT M8	O	2				
055	JM27100132	FLAT WASHER 6 (L)		1				
056	JM27100077	KNOB		1				
057	JM27100108	HEX NUT M6		1				
058	JM27100076	KNOB CAP		1	*			
058-1	JM27100076	KNOB CAP	O	1				
059	JM27100066	HEX SOCKET HEAD BOLT M8X60		1	*			
059-1	JM27100066	HEX SOCKET HEAD BOLT M8X60	O	1				
060	JM27100067	CRANK LEVER		1	*			
060-1	JM27100067	CRANK LEVER	O	1	*			
060-2	JM27100067	CRANK LEVER	O	1				
061	JM27100054	FLAT WASHER 8		1				
062	JM27100016	HEX LOCK NUT M6		1	*			
062-1	JM27100016	HEX LOCK NUT M6	O	1				
063	JM27100068	CRANK LEVER		1	*			
063-1	JM27100068	CRANK LEVER	O	1				
064	JM27100069	SLEEVE 14X9X22		1	*			
064-1	JM27100069	SLEEVE 14X9X22	O	1				
065	JM27100070	HEX NUT M10		1				
066	JM27100020	HEX NUT M8		1				
067	JM27100071	LIFTING ADJUSTING ROD M10		1	*			
067-1	JM27100071	LIFTING ADJUSTING ROD M10	O	1				
068	JM27100109	HEX SOCKET HEAD BOLT M5X10		2	*			
068-1	JM27100109	HEX SOCKET HEAD BOLT M5X10	O	2				
069	JM27100065	SPRING WASHER 5		2				

Please order the parts with part number.

Print Date 15/8/2021

Model No.2712 315MM TABLE SAW

รายการ	รหัสอะไหล่	รายละเอียด	การ แลกเปลี่ยน	จำนวน	New/Old	ขาย	ซื้อ	ข้อความ
070	JM27100032	FLAT WASHER 5		2				
071	JM27100109	HEX SOCKET HEAD BOLT M5X10		1	*			
071-1	JM27100109	HEX SOCKET HEAD BOLT M5X10	O	1				
072	JM27100065	SPRING WASHER 5		1				
073	JM27100082	POINTER (BLADE ANGLE)		1	*			
073-1	JM27100082	POINTER (BLADE ANGLE)	O	1				
074	JM27100054	FLAT WASHER 8		1				
075	JM27100020	HEX NUT M8		1				
076	JM27100083	POINTER (BLADE HEIGHT)		1	*			
076-1	JM27100083	POINTER (BLADE HEIGHT)	O	1				
077	JM27100050	HEX BOLT M8X16		4	*			
077-1	JM27100050	HEX BOLT M8X16	O	4				
078	JM27100107	PAN HEAD SCREW M4X25		2	*			
078-1	JM27100107	PAN HEAD SCREW M4X25	O	2				
079	JM27100031	PAN HEAD SCREW M5X10		4	*			
079-1	JM27100031	PAN HEAD SCREW M5X10	O	4				
080	JM27100032	FLAT WASHER 5		4				
081	JM27100063	DUST PORT		1				
082	JM27110002	BLADE CASE COMPLETE		1	*			
082-1	JM27110002	BLADE CASE COMPLETE	O	1				
083	JM27100062	PIVOT PIN SUPPORT		1	*			
083-1	JM27100062	PIVOT PIN SUPPORT	O	1				
084	JM27100061	BLADE HEIGHT ADJUST PIVOT PIN		1	*			
084-1	JM27100061	BLADE HEIGHT ADJUST PIVOT PIN	O	1				
085	JM27100060	E SHAPE RETAINING RING 12		1	*			
085-1	JM27100060	E SHAPE RETAINING RING 12	O	1				
086	JM27100065	SPRING WASHER 5		1				
087	JM27100109	HEX SOCKET HEAD BOLT M5X10		1	*			
087-1	JM27100109	HEX SOCKET HEAD BOLT M5X10	O	1				
088	JM27100110	HEX SOCKET HEAD BOLT M4X6		2	*			
088-1	JM27100110	HEX SOCKET HEAD BOLT M4X6	O	2				
089	JM27100074	SPECIAL HEX SOCKET BOLT M8X20		2	*			
089-1	JM27100074	SPECIAL HEX SOCKET BOLT M8X20	O	2				
090	JM27100075	SQUARE NECK BOLT M6X30		1	*			
090-1	JM27100075	SQUARE NECK BOLT M6X30	O	1				
091	JM27100081	SLIDING BLOCK		1				

Please order the parts with part number.

Print Date 15/8/2021

Model No.2712 315MM TABLE SAW

รายการ	รหัสอะไหล่	รายละเอียด	การ แลกเปลี่ยน	จำนวน	New/Old	ขาย	ซื้อ	ข้อความ
092	JM27100084	ANGLE SUPPORT PLATE REAR		1	*			
092-1	JM27100084	ANGLE SUPPORT PLATE REAR	O	1				
093	JM27100011	HEX BOLT M6X12		1	*			
093-1	JM27100011	HEX BOLT M6X12	O	1				
094	JM27100132	FLAT WASHER 6 (L)		1				
095	JM27100016	HEX LOCK NUT M6		1	*			
095-1	JM27100016	HEX LOCK NUT M6	O	1				
096	JM27100132	FLAT WASHER 6 (L)		1				
097	JM27100157	MOTOR ASSY HV		1				
D10		INC. 169,203-215						
098	JM27100016	HEX LOCK NUT M6		2	*			
098-1	JM27100016	HEX LOCK NUT M6	O	2				
099	JM27100131	HEX BOLT M6X12 W/FLAT WASHER		2	*			
099-1	JM27100131	HEX BOLT M6X12 W/FLAT WASHER	O	2				
100	JM27100089	SUPPORT ROD		2				
101	JM27100101	MITER GAUGE RAIL L=38CM		1	*			
101-1	JM27100101	MITER GAUGE RAIL L=38CM	O	1				
102	JM27100016	HEX LOCK NUT M6		2	*			
102-1	JM27100016	HEX LOCK NUT M6	O	2				
103	JM27100100	SCALE LABEL		1				
104	JM27100085	MITER GAUGE RAIL L=45CM		1	*			
104-1	JM27100085	MITER GAUGE RAIL L=45CM	O	1				
105	JM27100131	HEX BOLT M6X12 W/FLAT WASHER		2	*			
105-1	JM27100131	HEX BOLT M6X12 W/FLAT WASHER	O	2				
106	JM27100086	PAN H SQUARE NECK BOLT M6X12		2	*			
106-1	JM27100086	PAN H SQUARE NECK BOLT M6X12	O	2				
107	JM27100016	HEX LOCK NUT M6		2	*			
107-1	JM27100016	HEX LOCK NUT M6	O	2				
108	JM27110003	WORKING TABLE COMPLETE		1				
D10		INC. 103						
109	JM27100087	FLAT H SQUARE NECK BOLT M6X16		3	*			
109-1	JM27100087	FLAT H SQUARE NECK BOLT M6X16	O	3				
110	JM27100148	TABLE INSERT		1				
111	JM27100091	FLAT HEAD SCREW M5X16		6	*			
111-1	JM27100091	FLAT HEAD SCREW M5X16	O	6				
112	JM27100131	HEX BOLT M6X12 W/FLAT WASHER		2	*			

Please order the parts with part number.

Print Date 15/8/2021

Model No.2712 315MM TABLE SAW

รายการ	รหัสอะไหล่	รายละเอียด	การ แลกเปลี่ยน	จำนวน	New/Old	ขาย	ซื้อ	ข้อความ
112-1	JM27100131	HEX BOLT M6X12 W/FLAT WASHER	O	2				
113	JM27100016	HEX LOCK NUT M6		2	*			
113-1	JM27100016	HEX LOCK NUT M6	O	2				
114	JM27100092	SIDE WORKING TABLE		1				
115	JM27100131	HEX BOLT M6X12 W/FLAT WASHER		2	*			
115-1	JM27100131	HEX BOLT M6X12 W/FLAT WASHER	O	2				
116	JM27100016	HEX LOCK NUT M6		1	*			
116-1	JM27100016	HEX LOCK NUT M6	O	1				
117	JM27100093	FLAT WASHER 6 (XL)		1	*			
117-1	JM27100093	FLAT WASHER 6 (XL)	O	1				
118	JM27100094	SLEEVE 16X8X10		1	*			
118-1	JM27100094	SLEEVE 16X8X10	O	1				
119	JM27100095	LEFT GUARD		1				
120	JM27100096	RIGHT GUARD		1				
121	JM27100097	CONNECTING BOLT		1				
122	JM27100103	FLAT WASHER 8(L)		1	*			
122-1	JM27100103	FLAT WASHER 8(L)	O	1				
123	JM27100099	SPRING PIN 4X12		1	*			
123-1	JM27100099	SPRING PIN 4X12	O	1				
124	JM27100098	LOCK LEVER		1				
125	JM27100105	TAPPING SCREW ST3.9X9.5		4	*			
125-1	JM27100105	TAPPING SCREW ST3.9X9.5	O	4				
126	JM27110004	GUARD ASSEMBLY		1				
D10		INC. 116-125, 171-173						
127	JM27100009	E SHAPE RETAINING RING 8		1	*			
127-1	JM27100009	E SHAPE RETAINING RING 8	O	1				
128	JM27100131	HEX BOLT M6X12 W/FLAT WASHER		2	*			
128-1	JM27100131	HEX BOLT M6X12 W/FLAT WASHER	O	2				
129	JM27100010	WHEEL BRACKET LEFT		1	*			
129-1	JM27100010	WHEEL BRACKET LEFT	O	1				
130	JM27100012	WHEEL		1				
131	JM27100102	RETAINING RING S-12		1	*			
131-1	JM27100102	RETAINING RING S-12	O	1				
132	JM27100013	WHEEL SHAFT		1				
133	JM27100014	WHEEL BRACKET RIGHT		1	*			
133-1	JM27100014	WHEEL BRACKET RIGHT	O	1				
134	JM27100022	FLAT HEAD SCREW M8X25		1	*			
134-1	JM27100022	FLAT HEAD SCREW M8X25	O	1				
135	JM27100021	SHOCK PAD		1				

Please order the parts with part number.

Print Date 15/8/2021

Model No.2712 315MM TABLE SAW

รายการ	รหัสอะไหล่	รายละเอียด	การ แลกเปลี่ยน	จำนวน	New/Old	ขาย	ซื้อ	ข้อความ
136	JM27100020	HEX NUT M8		1				
137	JM27100016	HEX LOCK NUT M6		2	*			
137-1	JM27100016	HEX LOCK NUT M6	O	2				
138	JM27100018	FLAT WASHER 6		2				
139	JM27100016	HEX LOCK NUT M6		1	*			
139-1	JM27100016	HEX LOCK NUT M6	O	1				
140	JM27100131	HEX BOLT M6X12 W/FLAT WASHER		1	*			
140-1	JM27100131	HEX BOLT M6X12 W/FLAT WASHER	O	1				
141	JM27100016	HEX LOCK NUT M6		2	*			
141-1	JM27100016	HEX LOCK NUT M6	O	2				
142	JM27100015	LEG		1				
143	JM27100019	BEAM L=85CM		1				
144	JM27100016	HEX LOCK NUT M6		1	*			
144-1	JM27100016	HEX LOCK NUT M6	O	1				
145	JM27100131	HEX BOLT M6X12 W/FLAT WASHER		1	*			
145-1	JM27100131	HEX BOLT M6X12 W/FLAT WASHER	O	1				
146	JM27100017	BEAM L=60CM		1				
147	JM27100024	LEG A		1				
148	JM27100023	SELF TAPPING SCREW ST4X13		3	*			
148-1	JM27100023	SELF TAPPING SCREW ST4X13	O	3				
149	JM27100017	BEAM L=60CM		1				
150	JM27100029	HEX BOLT M8X45		1				
151	JM27100054	FLAT WASHER 8		1				
152	JM00000373	HEX BOLT M6X16		2				
153	JM27100028	HANDLE BRACKET I		1				
154	JM27100053	HEX LOCK NUT M8		1	*			
154-1	JM27100053	HEX LOCK NUT M8	O	1				
155	JM27100027	HANDLE		1				
156	JM27100026	HANDLE BRACKET II		1				
157	JM27100016	HEX LOCK NUT M6		2	*			
157-1	JM27100016	HEX LOCK NUT M6	O	2				
158	JM27100018	FLAT WASHER 6		1				
159	JM27100108	HEX NUT M6		1				
160	JM27100030	HOOK		1				
169	JM27100112	SWITCH HV ASSEMBLY		1	*			
169-1	JM27100112	SWITCH HV ASSEMBLY	O	1				
170	JM27100007	POWER SUPPLY CORD 3P		1	*			
170-1	JM27100007	POWER SUPPLY CORD 3P	O	1				

Please order the parts with part number.

Print Date 15/8/2021

Model No.2712 315MM TABLE SAW

รายการ	รหัสอะไหล่	รายละเอียด	การ แลกเปลี่ยน	จำนวน	New/Old	ขาย	ซื้อ	ข้อความ
171	JM27100094	SLEEVE 16X8X10		1				
172	JM2708B060	CAUTION LABEL		1				
173	JM27080108	LABEL(RIVING KNIFE SETTING)		1				
176	JM27100077	KNOB		1				
177	JM27100108	HEX NUT M6		1				
178	JM27100076	KNOB CAP		1				
179	JM27100132	FLAT WASHER 6 (L)		1				
180	JM27100079	E SHAPE RETAINING RING 4		1				
181	JM27100053	HEX LOCK NUT M8		2				
182	JM00000370	FLAT WASHER 8 (L)		2				
183	JM27100016	HEX LOCK NUT M6		1				
184	JM27100132	FLAT WASHER 6 (L)		1				
185	JM27180025	MAKITA LOGO LABEL		1				
186	JM27100075	SQUARE NECK BOLT M6X30		1				
187	JM27100074	SPECIAL HEX SOCKET BOLT M8X20		2				
188	JM27100051	SPRING WASHER 8		1				
189	JM00000361	SCALE LABEL (BLADE HEIGHT)		1				
190	JM27100110	HEX SOCKET HEAD BOLT M4X6		2				
191	JM27100032	FLAT WASHER 5		1				
192	JM27100070	HEX NUT M10		1				
193	JM00000370	FLAT WASHER 8 (L)		2				
194	JM27100053	HEX LOCK NUT M8		2				
195	JM00000370	FLAT WASHER 8 (L)		1				
196	JM27100053	HEX LOCK NUT M8		1				
197	JM27100046	FLAT WASHER 4(L)		2				
198	JM27100045	HEX LOCK NUT M4		2				
199	JM27100111	HEX LOCK NUT M5		2				
200	JM27100032	FLAT WASHER 5		2				
201	JM27100031	PAN HEAD SCREW M5X10		2				
202	JM27180024	MAKITA LOGO LABEL		1				
203	JM00000351	FAN		1				
204	JM00000352	FAN COVER		1				
205	JM00000353	FLAT HEAD SCREW M4X6		2				
206	JM00000354	TERMINAL BOX		1				
207	JM00000355	FLAT WASHER 4 (L)		4				
208	JM00000356	PAN GEAD SCREW M4X10		4				
209	JM00000371	TERMINAL BLOCK 4P		1				
210	JM00000372	SELF TAPPING SCREW ST3X14		2				
211	JM27100153	CIRCUIT BREAKER,HV		1				

Please order the parts with part number.

Print Date 15/8/2021

Model No.2712 315MM TABLE SAW

รายการ	รหัสอะไหล่	รายละเอียด	การ แลกเปลี่ยน	จำนวน	New/Old	ขาย	ซื้อ	ข้อความ
212	JM27100159	CAPACITOR 20 MICRO F		1				
213	JM00000357	TERMINAL BOX GASKET		1				
214	JM00000358	TERMINAL BOX COVER		1				
215	JM00000359	TAPPING SCREW ST2.9X13		6				
216	JM27100144	PLUG		1				
233	JM27100016	HEX LOCK NUT M6		2				
234	JM27100087	FLAT H SQUARE NECK BOLT M6X16		3				
235	JM27100086	PAN H SQUARE NECK BOLT M6X12		2				
236	JM27100018	FLAT WASHER 6		1				
237	JM27100016	HEX LOCK NUT M6		1				
238	JM27100132	FLAT WASHER 6 (L)		1				
239	JM27100016	HEX LOCK NUT M6		1				
240	JM27100018	FLAT WASHER 6		1				
241	JM27100016	HEX LOCK NUT M6		1				
242	JM27100132	FLAT WASHER 6 (L)		1				
243	JM27100016	HEX LOCK NUT M6		1				
244	JM27100131	HEX BOLT M6X12 W/FLAT WASHER		2				
245	JM27100016	HEX LOCK NUT M6		2				
246	JM27100015	LEG		1				
247	JM27100131	HEX BOLT M6X12 W/FLAT WASHER		2				
248	JM27100016	HEX LOCK NUT M6		2				
249	JM27100131	HEX BOLT M6X12 W/FLAT WASHER		2				
250	JM27100016	HEX LOCK NUT M6		2				
251	JM27100015	LEG		1				
252	JM27100131	HEX BOLT M6X12 W/FLAT WASHER		2				
253	JM27100016	HEX LOCK NUT M6		2				
254	JM27100131	HEX BOLT M6X12 W/FLAT WASHER		2				
255	JM27100131	HEX BOLT M6X12 W/FLAT WASHER		2				
256	JM27100016	HEX LOCK NUT M6		2				
257	JM27100131	HEX BOLT M6X12 W/FLAT WASHER		2				
258	JM27100016	HEX LOCK NUT M6		2				
259	JM27100131	HEX BOLT M6X12 W/FLAT WASHER		1				
260	JM27100016	HEX LOCK NUT M6		1				
261	JM27100019	BEAM L=85CM		1				
262	JM27100131	HEX BOLT M6X12 W/FLAT WASHER		1				
263	JM27100016	HEX LOCK NUT M6		1				

Please order the parts with part number.

Print Date 15/8/2021

Model No.2712 315MM TABLE SAW

รายการ	รหัสอะไหล่	รายละเอียด	การ แลกเปลี่ยน	จำนวน	New/Old	ขาย	ซื้อ	ข้อความ
264	JM27100131	HEX BOLT M6X12 W/FLAT WASHER		1				
265	JM27100016	HEX LOCK NUT M6		1				
266	JM27100131	HEX BOLT M6X12 W/FLAT WASHER		1				
267	JM27100016	HEX LOCK NUT M6		1				
268	JM27100131	HEX BOLT M6X12 W/FLAT WASHER		1				
269	JM27100016	HEX LOCK NUT M6		1				
270	JM27100131	HEX BOLT M6X12 W/FLAT WASHER		1				
271	JM27100016	HEX LOCK NUT M6		1				
272	JM27100131	HEX BOLT M6X12 W/FLAT WASHER		1				
273	JM27100016	HEX LOCK NUT M6		1				
274	JM27100131	HEX BOLT M6X12 W/FLAT WASHER		1				
275	JM27100016	HEX LOCK NUT M6		1				
276	JM27100131	HEX BOLT M6X12 W/FLAT WASHER		1				
277	JM27100016	HEX LOCK NUT M6		1				
278	JM27100131	HEX BOLT M6X12 W/FLAT WASHER		1				
279	JM27100016	HEX LOCK NUT M6		1				
280	JM27100108	HEX NUT M6		1				
281	JM27100029	HEX BOLT M8X45		1				
282	JM27100028	HANDLE BRACKET I		1				
283	JM27100027	HANDLE		1				
284	JM27100026	HANDLE BRACKET II		1				
285	JM27100054	FLAT WASHER 8		1				
286	JM27100053	HEX LOCK NUT M8		1				
287	JM27100016	HEX LOCK NUT M6		2	*			
287-1	JM27100108	HEX NUT M6	X	2				
288	JM27100132	FLAT WASHER 6 (L)		2				
289	JM27100132	FLAT WASHER 6 (L)		2				
290	JM00000373	HEX BOLT M6X16		2				
291	JM27100016	HEX LOCK NUT M6		2	*			
291-1	JM27100108	HEX NUT M6	X	2				
292	JM27100132	FLAT WASHER 6 (L)		2				
293	JM27100132	FLAT WASHER 6 (L)		2				
294	JM27100020	HEX NUT M8		1				
295	JM27100021	SHOCK PAD		1				
296	JM27100022	FLAT HEAD SCREW M8X25		1				
297	JM27100020	HEX NUT M8		1				
298	JM27100021	SHOCK PAD		1				

Please order the parts with part number.

Print Date 15/8/2021

Model No.2712 315MM TABLE SAW

รายการ	รหัสอะไหล่	รายละเอียด	การ แลกเปลี่ยน	จำนวน	New/Old	ขาย	ชื่อ	ข้อความ
299	JM27100022	FLAT HEAD SCREW M8X25		1				
300	JM27100020	HEX NUT M8		1				
301	JM27100021	SHOCK PAD		1				
302	JM27100022	FLAT HEAD SCREW M8X25		1				
303	JM27100009	E SHAPE RETAINING RING 8		1				
304	JM27100131	HEX BOLT M6X12 W/FLAT WASHER		2				
305	JM27100018	FLAT WASHER 6		2				
306	JM27100016	HEX LOCK NUT M6		2				
307	JM27100102	RETAINING RING S-12		1				
308	JM27100012	WHEEL		1				
309	JM27180026	CAUTION LABEL		1				
310	JM27110005	MITER GAUGE ASSEMBLY		1				
D10		INC.311-327						
311	JM27100127	FENCE COVER A		1				
312	JM27100126	FENCE		1				
313	JM27100124	STEPPED SCREW M5X12		1	*			
313-1	JM27100124	STEPPED SCREW M5X12	O	1				
314	JM27100115	KNOB BOLT M6X72		1				
315	JM27100117	SLEEVE COVER		1				
316	JM27100118	SLEEVE 14X11X57		1				
317	JM27100117	SLEEVE COVER		1				
318	JM27100120	THICK WASHER 6(L)		1	*			
318-1	JM27100120	THICK WASHER 6(L)	O	1				
319	JM27100116	KNOB BOLT M6X13		1				
320	JM27100132	FLAT WASHER 6 (L)		1				
321	JM27100121	MITER GAUGE		1				
322	JM27100119	KNOB NUT M6		2	*			
322-1	JM27100119	KNOB NUT M6	O	2				
323	JM27100132	FLAT WASHER 6 (L)		2				
324	JM27100011	HEX BOLT M6X12		2	*			
324-1	JM27100011	HEX BOLT M6X12	O	2				
325	JM27100122	FLAT WASHER 6		1				
326	JM27100123	SLIDING BAR		1				
327	JM27100125	FENCE COVER B		1				
328	JM27180007	NAME PLATE		1				
329	JM27100081	SLIDING BLOCK		1				
330	JM27100129	SIDE TABLE SUPPORT ROD		2				
331	JM27100032	FLAT WASHER 5		1				
A02	JM27100128	PUSH STICK		1				
A03	JM27170002	WRENCH		1	*			

Please order the parts with part number.

Print Date 15/8/2021

Model No.2712 315MM TABLE SAW

รายการ	รหัสอะไหล่	รายละเอียด	การ แลกเปลี่ยน	จำนวน	New/Old	ขาย	ซื้อ	ข้อความ
A03-1	JM27170002	WRENCH	O	1				
A04	JM27170003	OPEN WRENCH		2	*			
A04-1	JM27170003	OPEN WRENCH	O	2				
A06	JM27100130	PUSH BLOCK		1				
A07	JM27170004	SPECIAL WRENCH		1	*			
A07-1	JM27170004	SPECIAL WRENCH	O	1				
A08	JM27170005	TIP SAW BLADE 315 SET		1				

Please order the parts with part number.

Print Date 15/8/2021