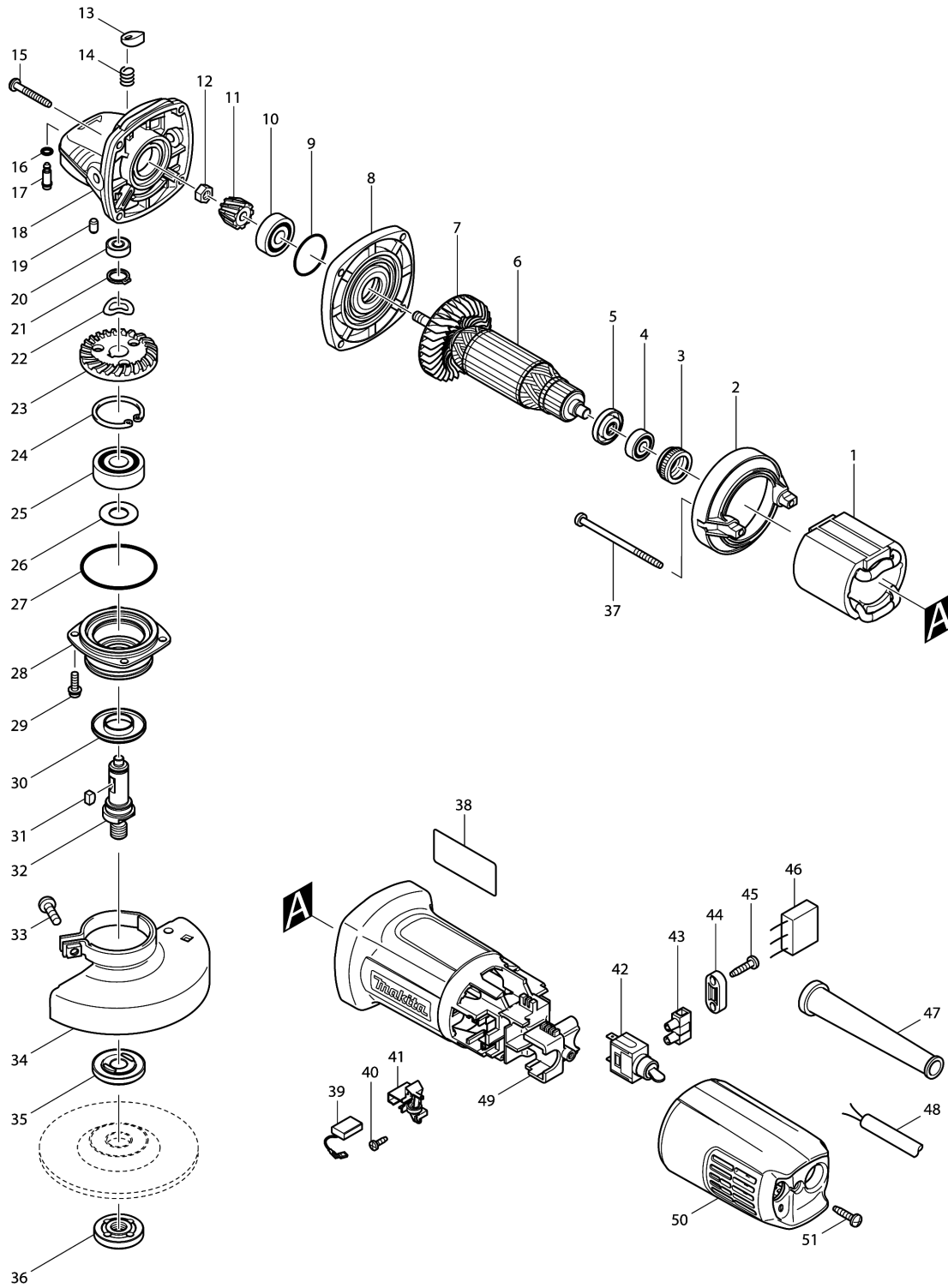


Model No.9553B 100MM ANGLE GRINDER



Model No.9553B 100MM ANGLE GRINDER

รายการ	รหัสอะไหล่	รายละเอียด	การ แลกเปลี่ยน	จำนวน	New/Old	ขาย	ซื้อ	ข้อความ
001	621718-6	FIELD 220-240V		1	*			
001-1	621718-6	FIELD 220-240V	O	1				
002	418795-5	BAFFLE PLATE		1	*			
002-1	457793-4	BAFFLE PLATE	<	1				
003	421868-5	LABYRINTH RUBBER RING 19		1				
004	210034-7	BALL BEARING 607LLB		1	*			
004-1	211021-9	BALL BEARING 607LLB	O	1				
005	681636-0	INSULATION WASHER		1				
006	515619-7	ARMATURE ASS'Y 220-240V		1	*			
D10		INC. 4,5,7			*			
006-1	510086-1	ARMATURE ASS'Y 220-240V	O	1				
D10		INC. 4,5,7						
007	240076-7	FAN 56		1				
008	317821-6	GEAR HOUSING COVER		1				
009	213445-5	O-RING 26		1				
010	210071-1	BALL BEARING 629LLB		1	*			
010-1	210053-3	BALL BEARING 629LLB	<	1	*			
010-2	210042-8	BALL BEARING 629LLB	O	1				
011	227471-8	SPIRAL BEVEL GEAR 11		1				
012	252186-8	HEX. NUT M6		1				
013	417771-6	PIN CAP		1				
014	233376-2	COMPRESSION SPRING 8		1				
015	266361-0	TAPPING SCREW 4X30		4	*			
015-1	265654-2	TAPPING SCREW 4X30	O	4				
016	213960-9	O RING 5		1				
017	256486-8	SHOULDER PIN 4		1				
018	317814-3	GEAR HOUSING		1	*			
018-1	318051-2	GEAR HOUSING	O	1				
019	263002-9	RUBBER PIN 4		1				
020	210033-9	BALL BEARING 696ZZ		1	*			
020-1	210006-2	BALL BEARING 696ZZ	O	1				
021	961052-5	RETAINING RING S-12		1				
022	267794-2	WAVE WASHER 12		1				
023	227472-6	SPIRAL BEVEL GEAR 36		1	*			
023-1	227506-5	SPIRAL BEVEL GEAR 36	<	1				
024	962151-6	RETAINING RING R-32		1				
025	211129-9	BALL BEARING 6201DDW		1				
026	267238-2	FLAT WASHER 12		1				
027	213622-9	O RING 45		1				
028	317819-3	BEARING BOX		1				

Please order the parts with part number.

Print Date 24/8/2021

Model No.9553B 100MM ANGLE GRINDER

รายการ	รหัสอะไหล่	รายละเอียด	การ แลกเปลี่ยน	จำนวน	New/Old	ขาย	ซื้อ	ข้อความ
029	265099-4	PAN HEAD SCREW M4X14		4				
030	345464-4	LABYRINTH RING		1				
031	254011-9	WOODRUFF KEY 4		1				
032	324488-3	SPINDLE		1				
033	265103-9	PAN HEAD SCREW M5X14		1				
034	125266-2	WHEEL COVER 100 ASSEMBLY		1	*			
D10		INC. 33			*			
034-1	125266-2	WHEEL COVER 100 ASSEMBLY	O	1				
D10		INC. 33						
035	224314-5	INNER FLANGE 30		1				
036	224559-5	LOCK NUT 10-30		1				
037	266325-4	TAPPING SCREW 4X70		2	*			
037-1	265657-6	TAPPING SCREW 4X70	O	2				
038	861652-0	9553B NAME PLATE		1				
039	194074-2	CARBON BRUSH CB-325		1	*			
039-1	194486-9	CARBON BRUSH CB-325/CB- 329	O	1	*			
039-2	195002-0	CARBON BRUSH SET CB- 325/329	<	1				
040	266007-8	TAPPING SCREW BIND PT 3X10		4				
041	643760-7	BRUSH HOLDER		2				
042	651427-3	SWITCH STL115ADT-D		1	*			
042-1	651065-1	SWITCH ST115A-TB-S2	O	1				
043	654532-5	TERMINAL BLOCK 1P		1				
044	687140-7	STRAIN RELIEF		1				
045	266326-2	TAPPING SCREW 4X18		2	*			
045-1	265652-6	TAPPING SCREW 4X18	O	2				
047	682566-8	CORD GUARD 10		1				
048	691015-4	POWER SUPPLY CORD 0.75- 2-2.5		1				
049	419091-4	MOTOR HOUSING		1				
050	419092-2	REAR COVER		1				
051	266326-2	TAPPING SCREW 4X18		1	*			
051-1	265652-6	TAPPING SCREW 4X18	O	1				
A01	782420-7	LOCK NUT WRENCH 20		1				
A02B	153489-2	GRIP 36 COMPLETE		1				
A05	A-80852	GRINDING WHEEL 100X6X16		1				

Please order the parts with part number.

Print Date 24/8/2021