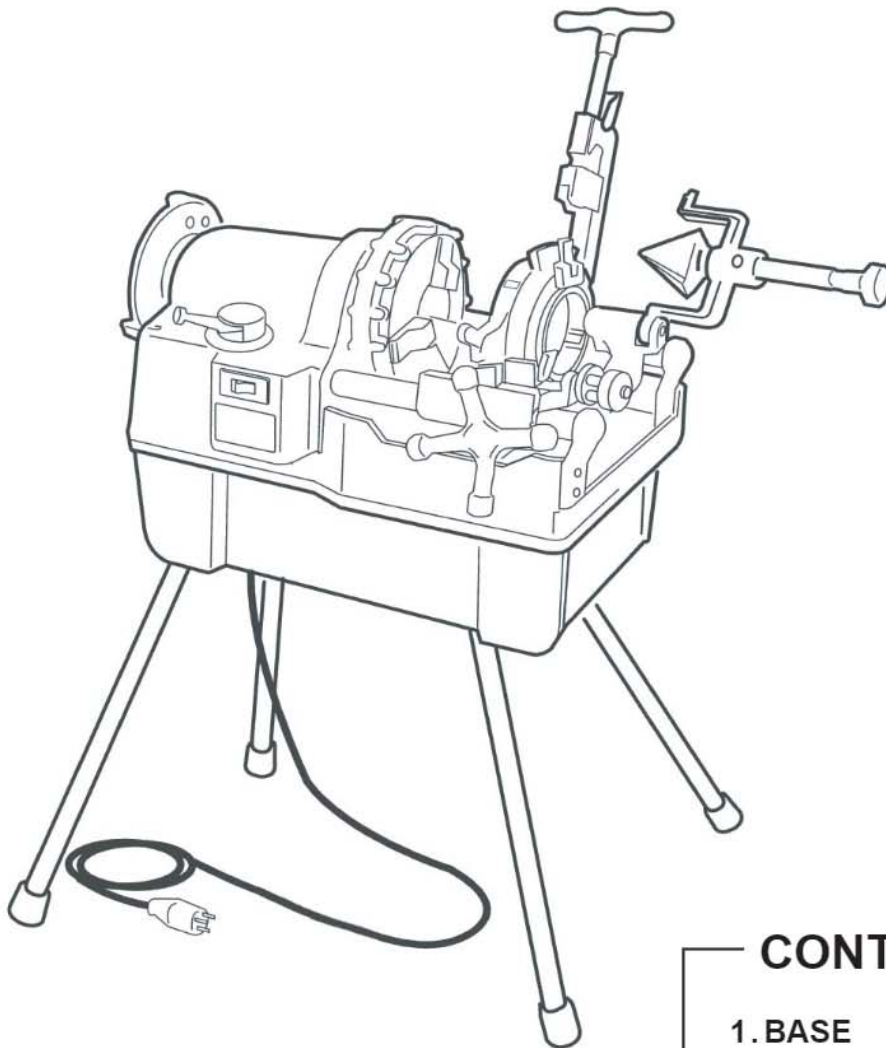


**REX**  
PIPE THREADING MACHINE  
**N100A**

**PARTS LIST**

As of December 2010

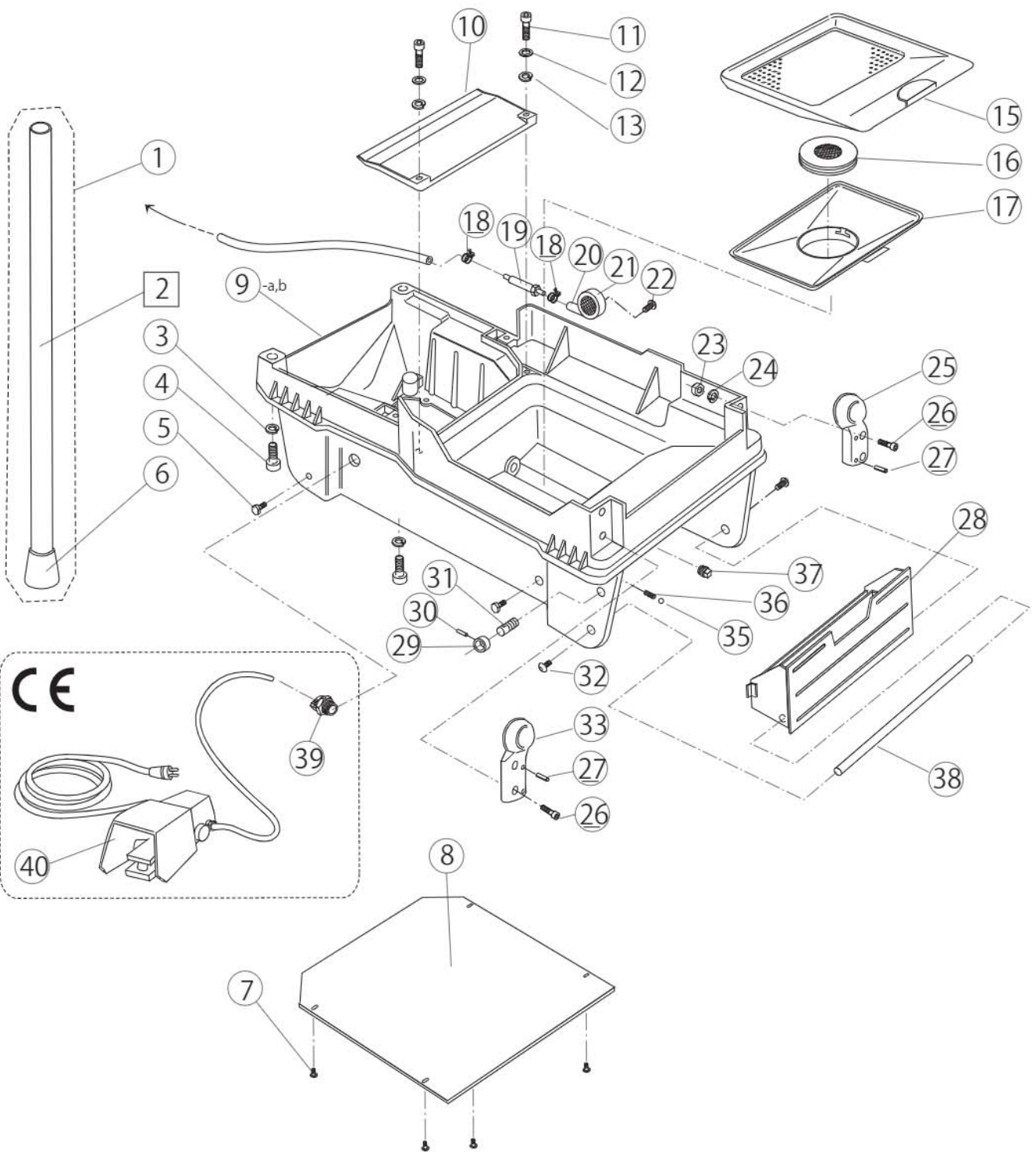


**CONTENTS**

1. BASE
2. MOTOR
3. MAIN SHAFT
4. MAIN SHAFT 2
5. GEAR CASE
6. CARRIAGE
7. PROFILING
8. CUTTER , REAMER

**REX**

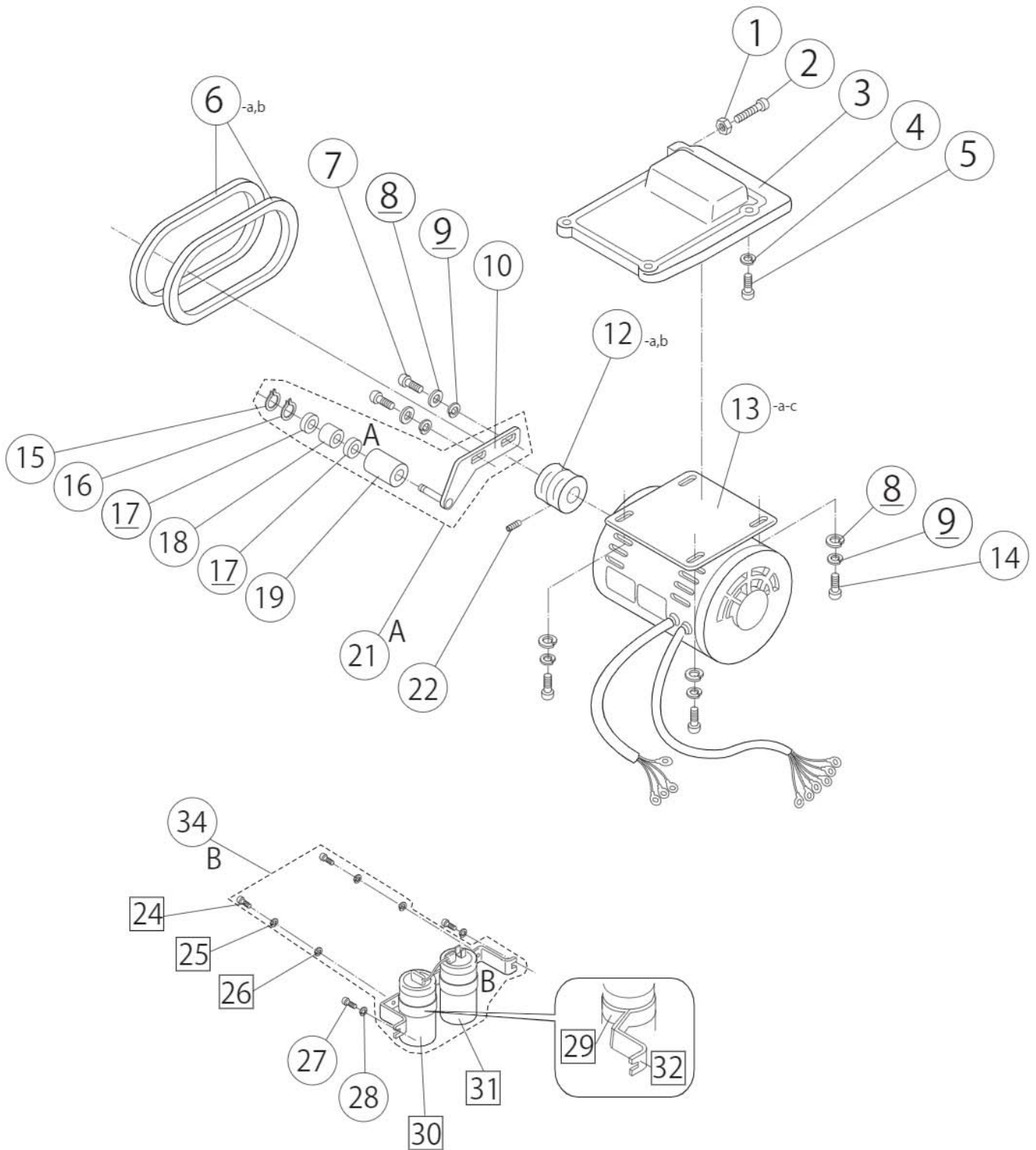
# N100A 1. BASE



2018.1.31

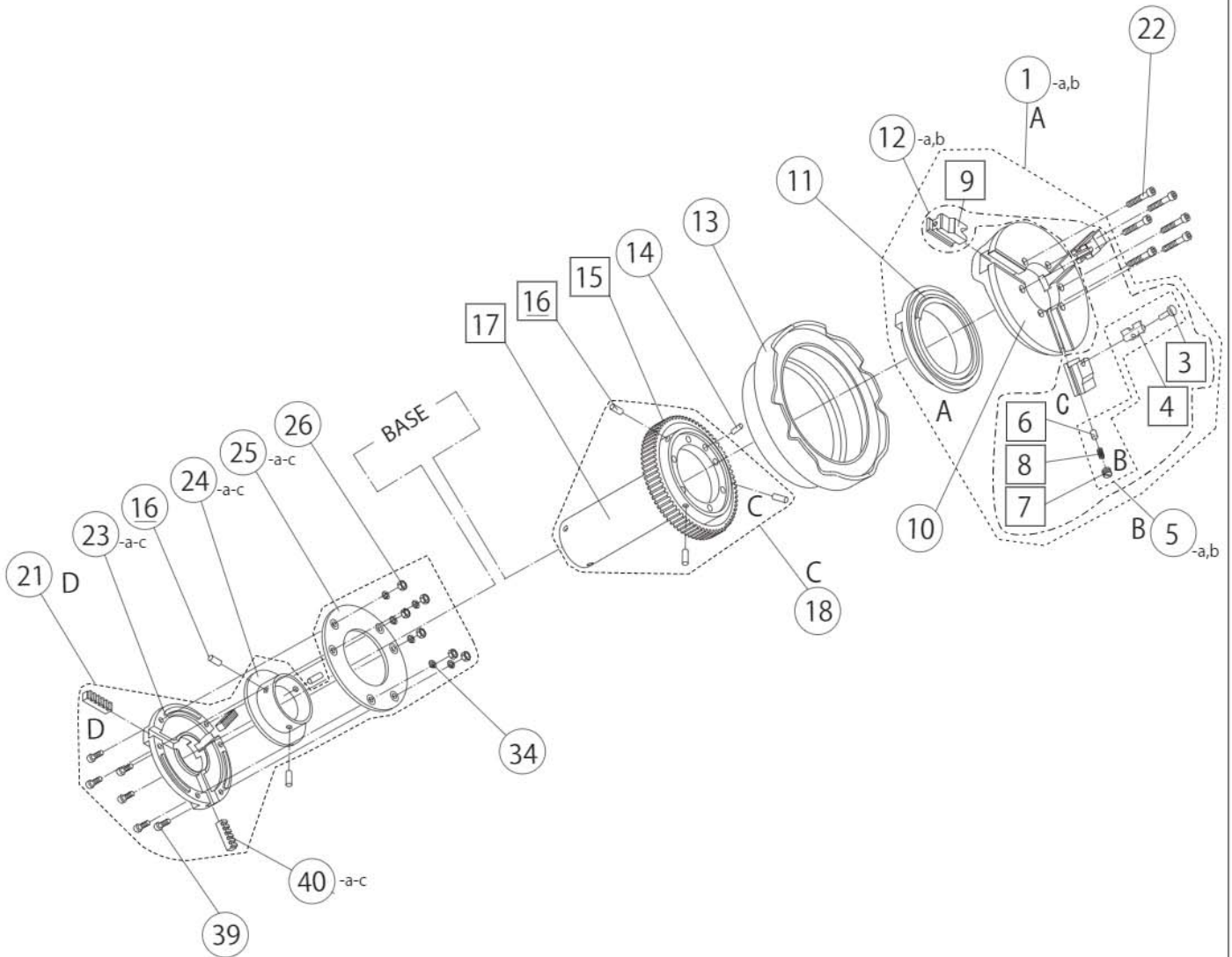
**REX**

# N100A 2. MOTOR



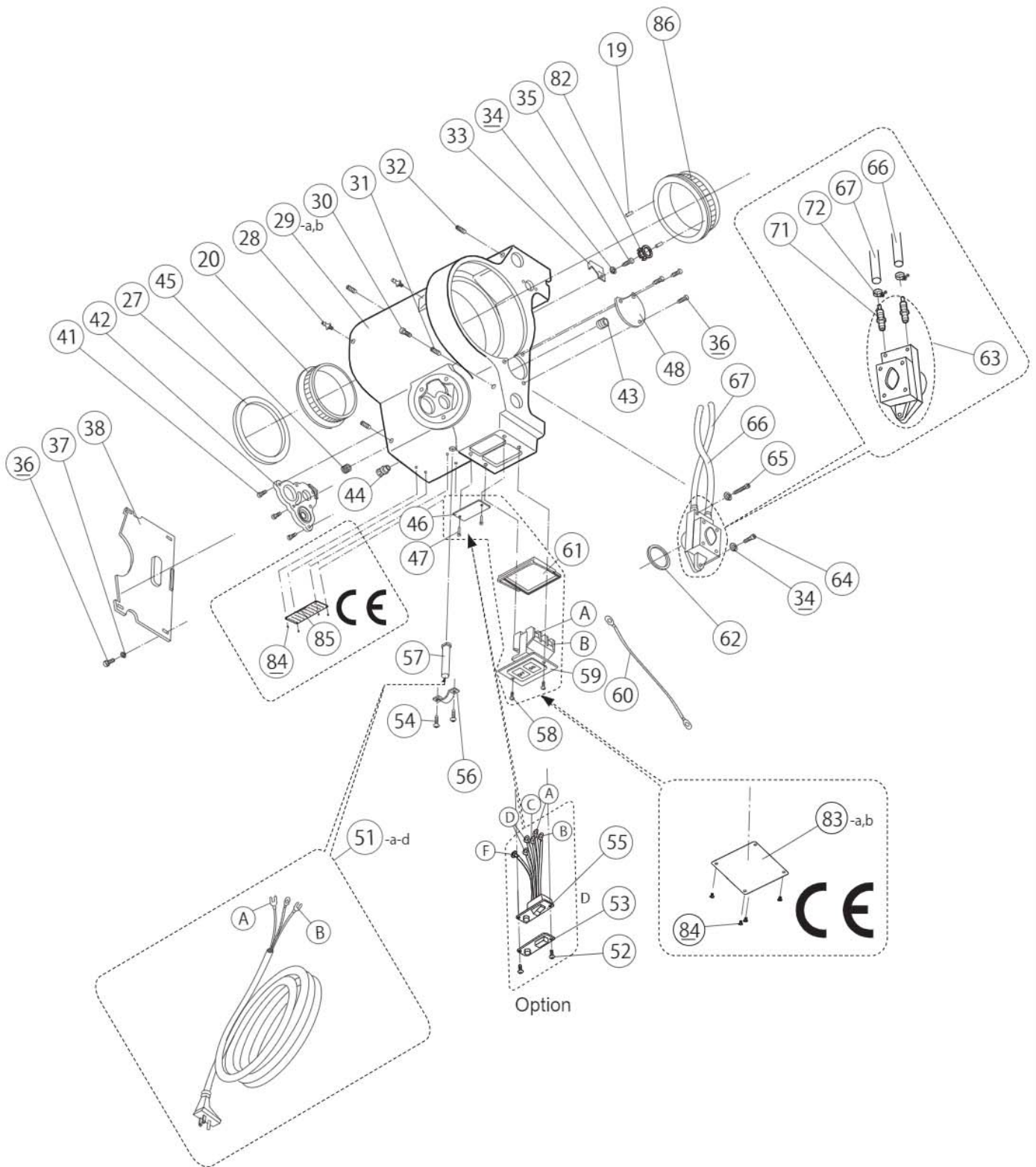
2018.1.31

# N100A 3. MAIN SHAFT



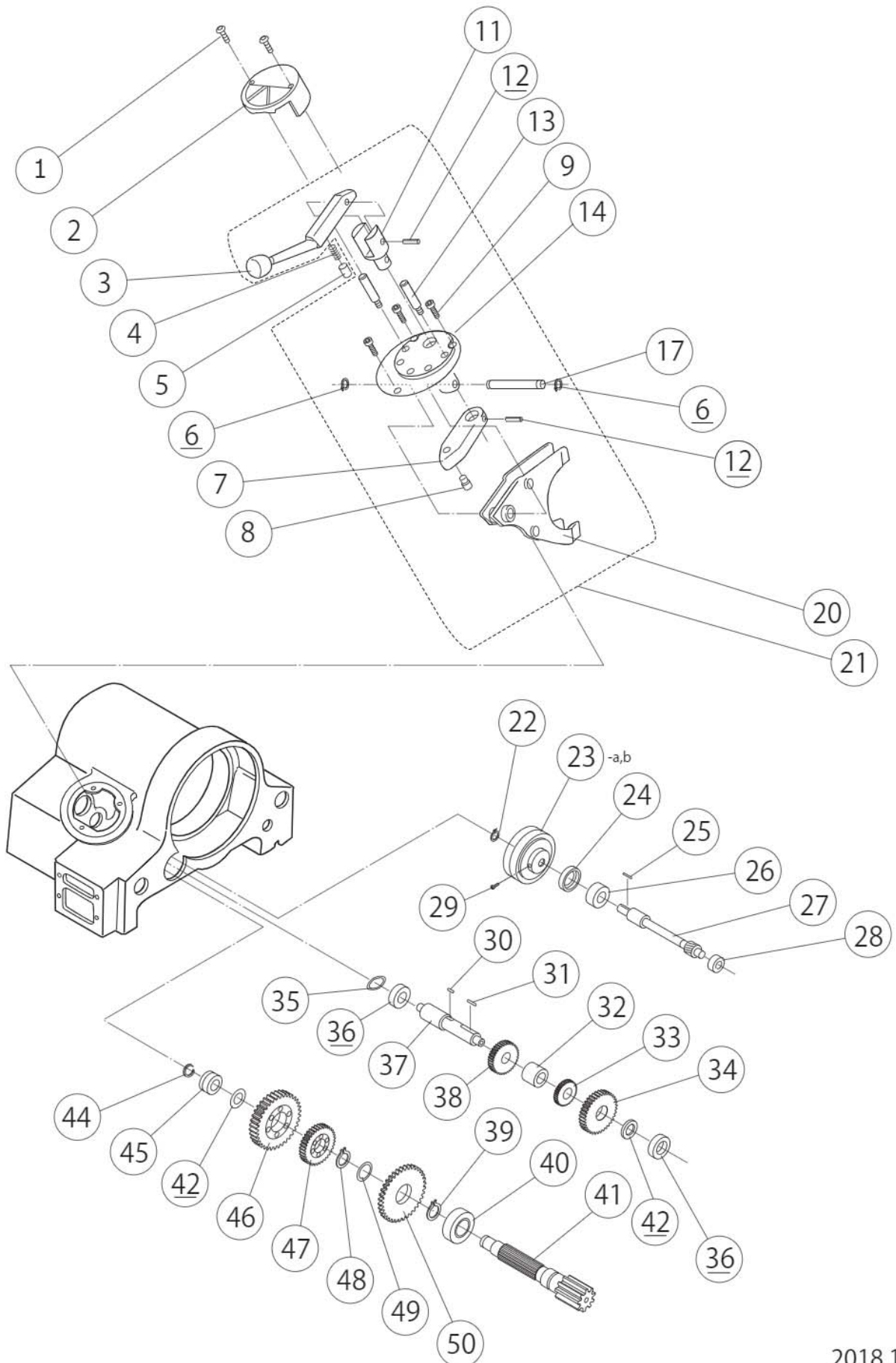
2018.1.31

# N100A 4. MAIN SHAFT 2



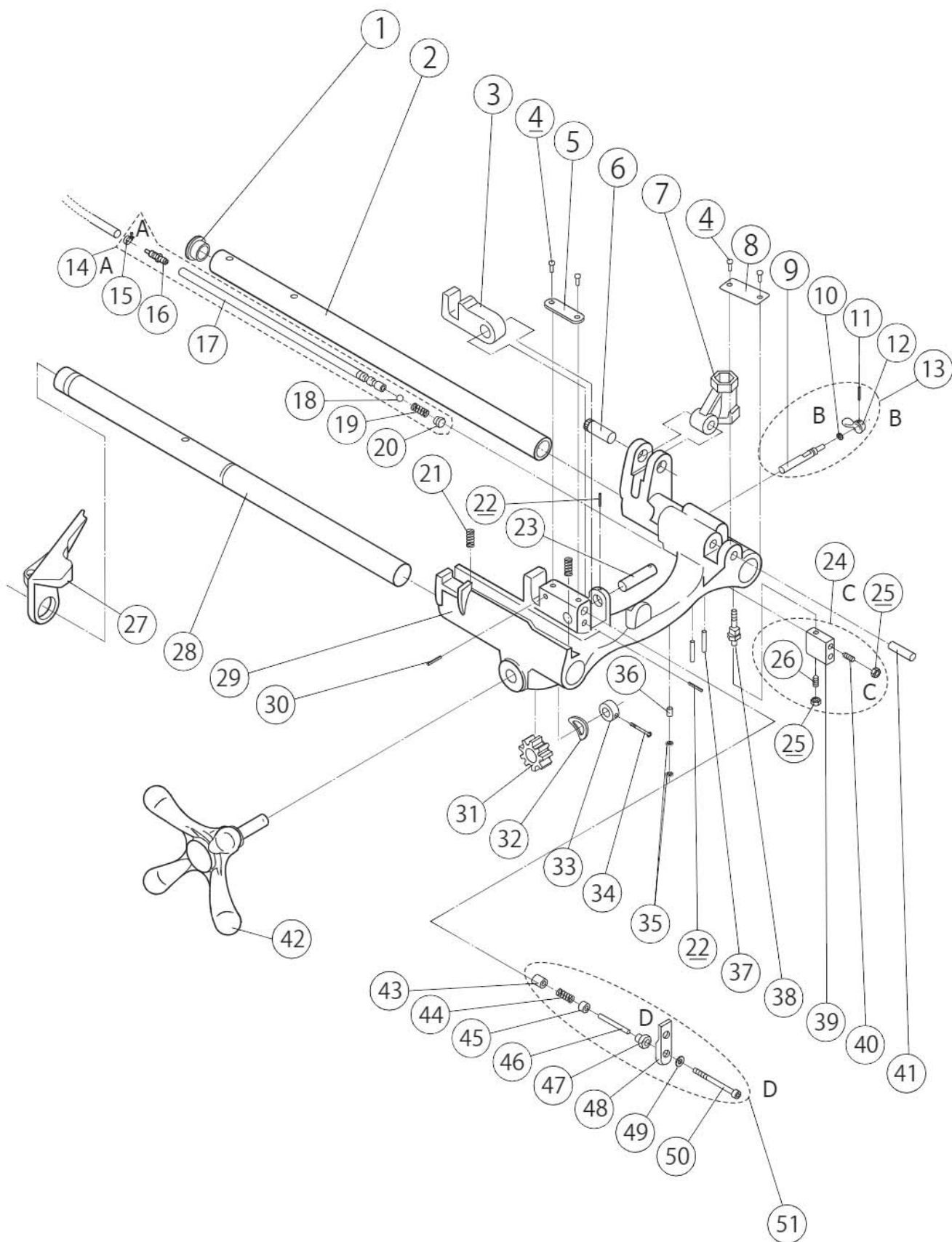
2018.1.31

# N100A 5. GEAR CASE



2018.1.31

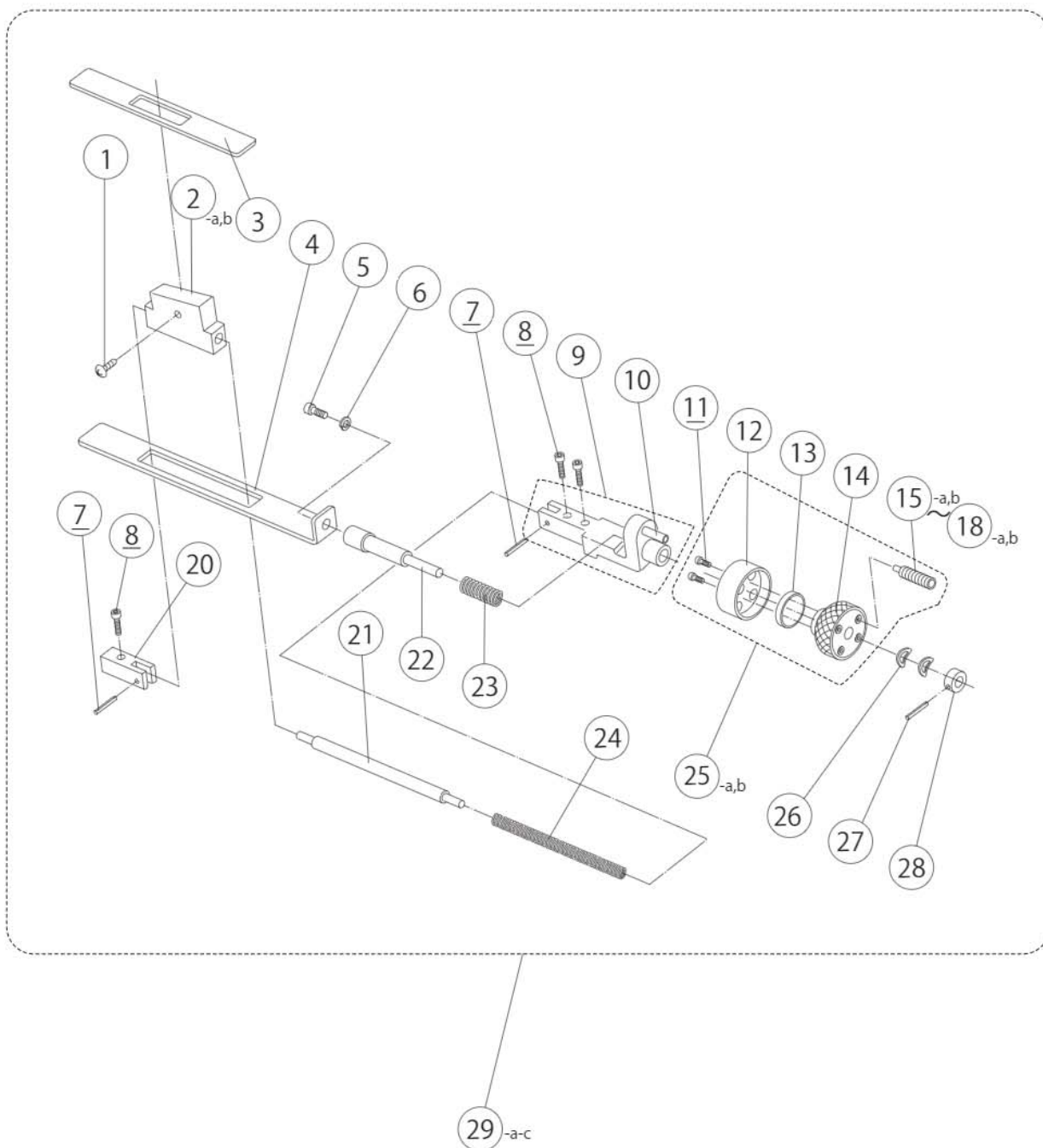
# N100A 6. CARRIAGE



2018.1.31

**REX**

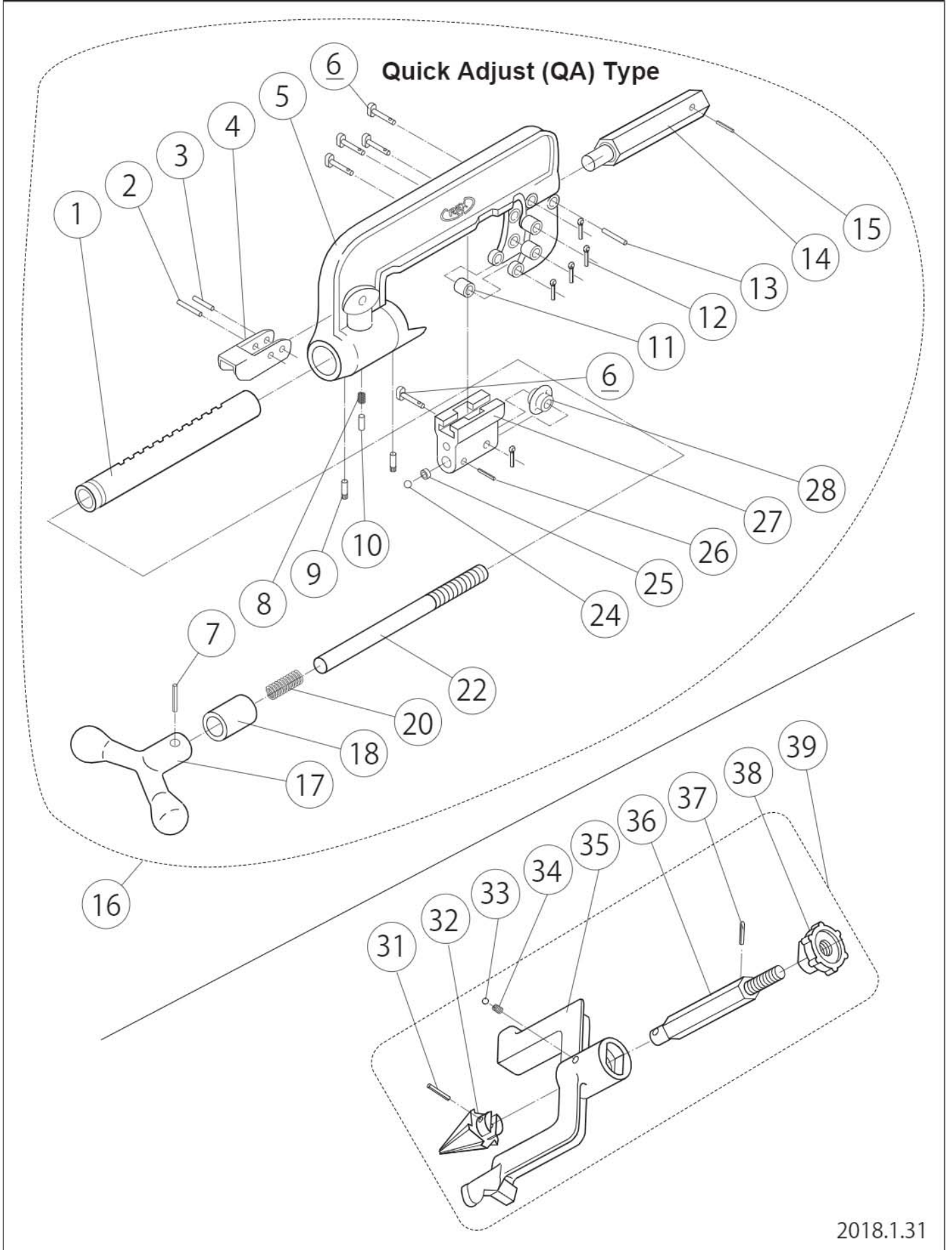
# N100A 7. PROFILING



2018.1.31



# N100A 8. CUTTER, REAMER



2018.1.31

# **REX**

[www.rexind.co.jp](http://www.rexind.co.jp)

## **REX INDUSTRIES CO., LTD.**

**Overseas Sales Dept. (Head Office & Factory ):**

**1-9-3, Hishiyahigashi, Higashi Osaka 578-0948, Japan**

**Tel.: +81 - (0)72 - 961 - 9820 Fax.: +81 - (0)72 - 961 - 9878**

**URL** <http://www.rexind.co.jp>